

Rheem Spare Parts Manual



Spare Parts Catalogue

Issued 1st Aug 2013

Categories

- Optima, S.Steel, Mains Pressure Electric
- Low Pressure Electric, LPVE, Dairy DB Series
- Lazer, Zip & Underbench 740 Series
- Premier Solar Lo-line
- Heat Pumps – Water Heaters, Pool Heating & Commercial
- Mains Pressure Gas & Vulcan
- Continuous Flow & Integrity Gas Water Heaters
- Saturn Condensing Boiler
- HSI & Commercial Gas
- Raypak Pool, Spa & Water Boilers
- Kalahari & GlowPlus Space Heating
- Appendix 1 Mains Pressure Electric
- Appendix 2 Low Pressure Electric
- Appendix 3 Lazer Boiling Water
- Appendix 4 Zip Boiling Water
- Appendix 5 Mains Pressure Gas and Stellar
- Appendix 6 Vulcan
- Appendix 7 Powerfin
- Appendix 8 Raypak
- Price List



Rheem New Zealand Limited

Free Phone 0800 657 336
Telephone 09 829 0200
Free Fax 0800 657 337

Website www.rheem.co.nz
P O Box 19011 Auckland 1746
Avondale



Information is subject to change without notice.

INSTALL A RHEEM™

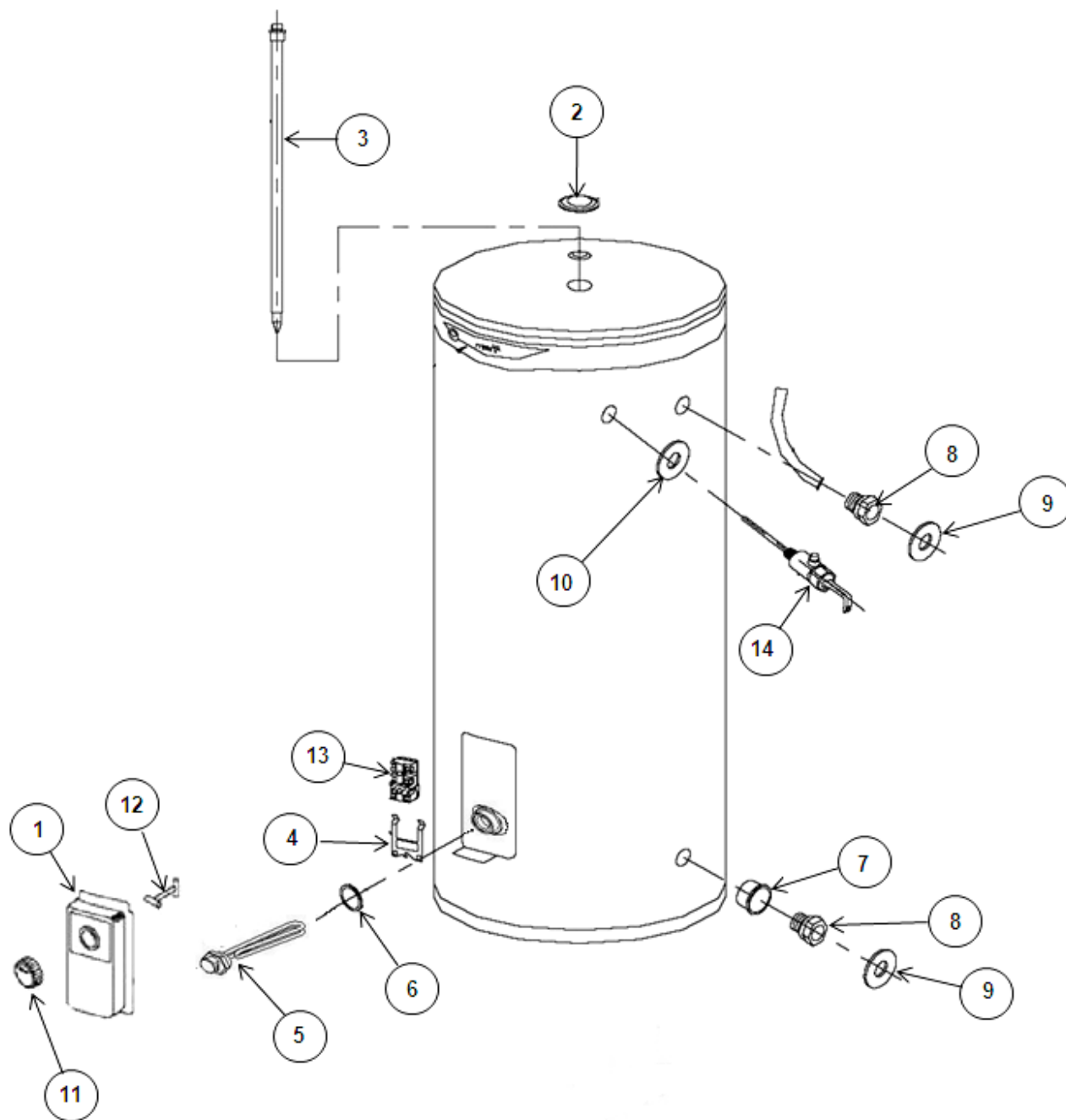
Rheem Spare Parts Manual

Rheem spare parts legend

Symbol	Description
BARE	Without element, thermostat or wiring
BCR	Base circulator riser (low pressure wetback)
COMM	Commercial
DA	Dairy cylinder DA series (pre 1966)
DB	Dairy cylinder DB series (post 1966)
GA	Mains & low pressure gas series
HSI	Hot surface ignition
HP	Heat pump
INT	Integrity/continuous flow
kW	Kilowatt
LPE	Low pressure electric
LPG	Liquefied petroleum gas
LPVE	Low Pressure Vitreous Enamel
LWD	Low watts density
LZ	Lazer boiling units
MP	Mains pressure
MPE	Mains pressure electric
MPG	Mains pressure gas
N/A	Not applicable
NG	Natural gas
NP	Nickel plated element (low pressure)
N/S	Not shown
PGFRV	Proportional gas flow regulating valve
POA	Price on application
PWF	Power-Fin
RHS	Right hand side connection
S Steel	Stainless Steel
TP	Tin plated element (mains pressure)
TPRV	Temperature & pressure relief valve
VU	Vulcan Freeloder
ZP	Zip boiling units

Rheem Spare Parts Manual

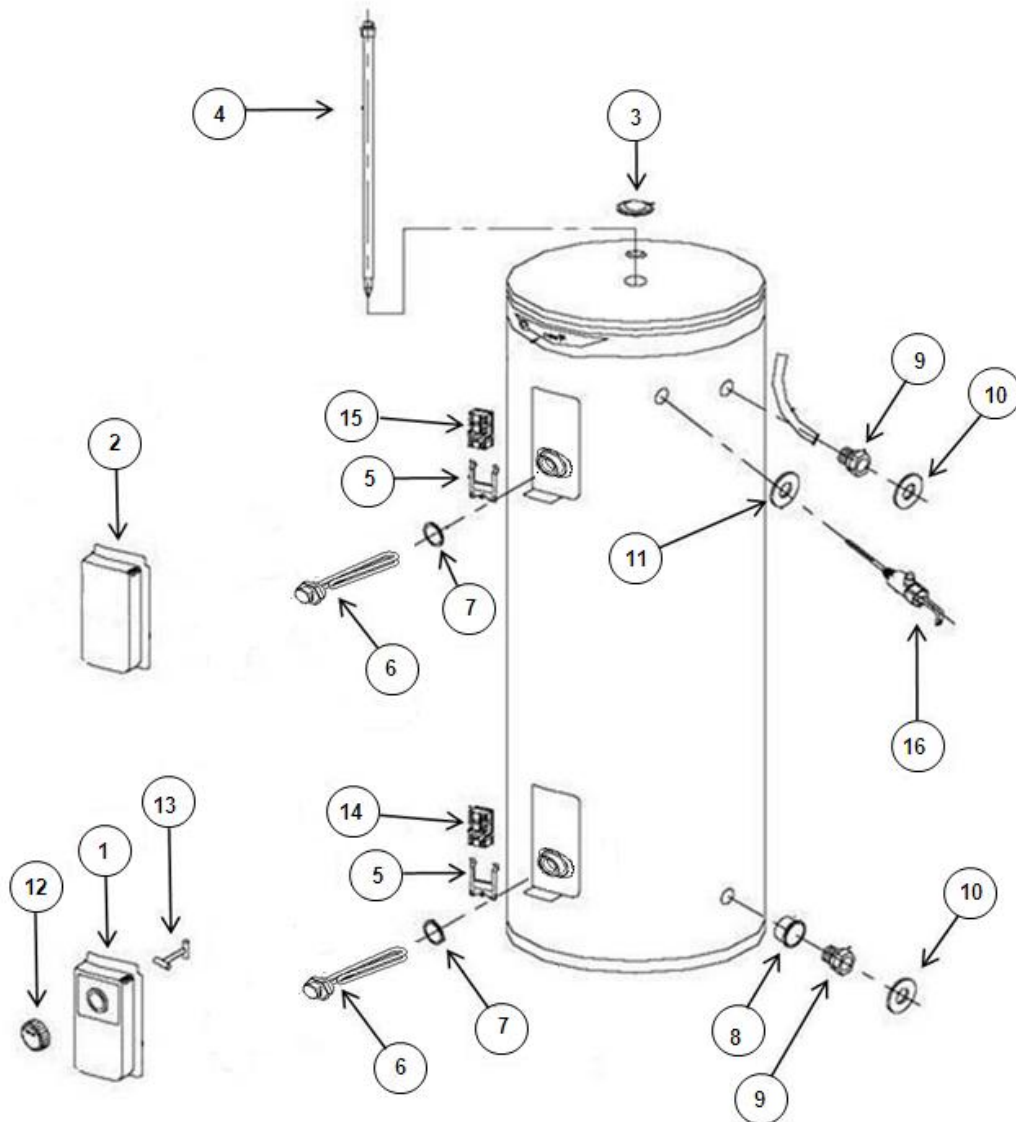
Optima 180L single element



Item	Part No.	Description	Item	Part No.	Description
1	100738-1	Thermostat cover	9	221398-1	Inlet/outlet pipe seal
2	221720-1	Anode cover	10	221411	TPRV seal
3	11085	Anode (black) 1480mm	11	226928-1	Thermostat knob
4	11599	Thermostat clamp	12	226948	Thermostat/knob linking shaft
5	14321	Element 3.0kW tin plated	13	052014	R/Shaw thermostat ST1204133R
6	10908	Element O-ring	14	90422	TPRV HTE521-522 1400kPa ½"
7	316209	Fitting liner ¾"x 25mm			
8	069405	Fitting extension ¾"	N/S	317623	Thermostat and linking shaft kit

Rheem Spare Parts Manual

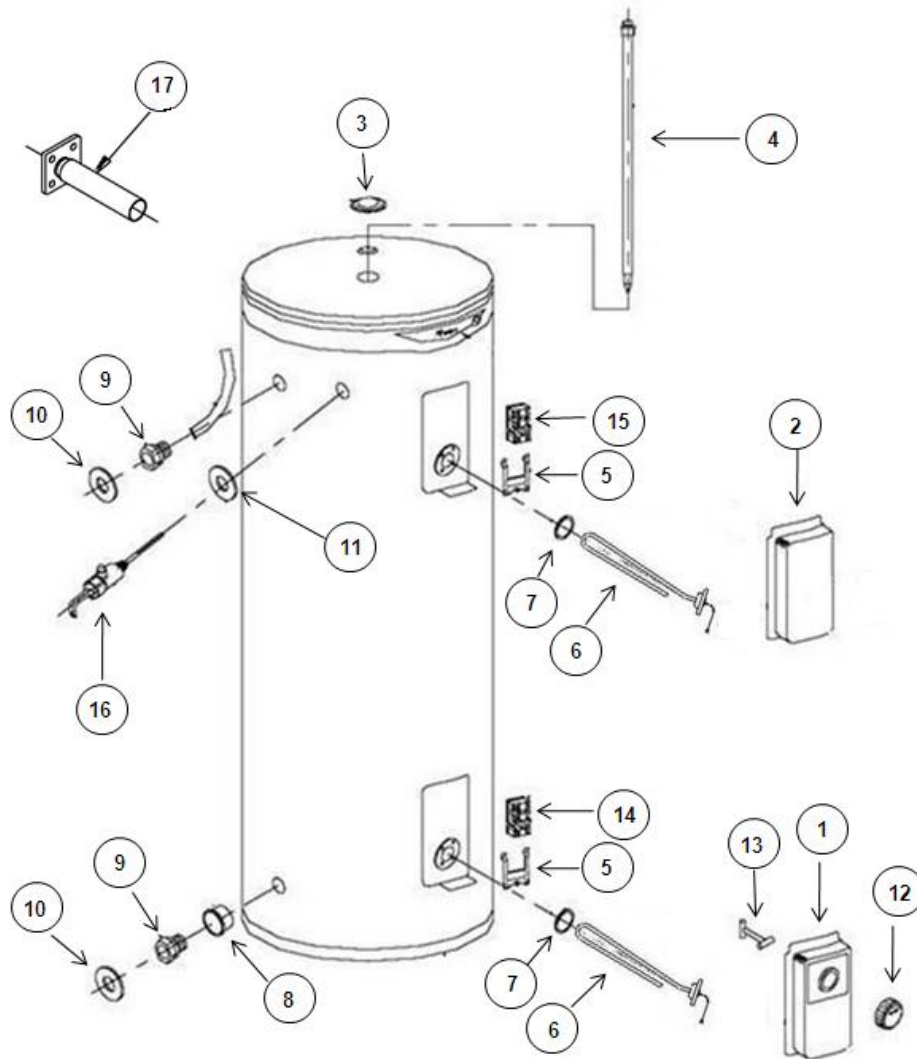
Optima 300L twin element



Item	Part No.	Description	Item	Part No.	Description
1	100738-1	Thermostat cover bottom	10	221398-1	Inlet/outlet pipe seal
2	100704-1	Thermostat cover top	11	221411	TPRV seal
3	221720-1	Anode cover	12	226928-1	Thermostat knob
4	316546	Anode (black) 1550mm	13	226948	Thermostat/knob linking shaft
5	11599	Thermostat clamp	14	052014	R/Shaw T/stat ST1204133R bottom
6	14321	Element 3.0kW tin plated	15	11077	R/Shaw T/stat ST2207233 top
7	10908	Element O-ring	16	220641	TPRV HT523/507 1000kPa ½"
8	316209	Fitting Liner ¾"x 25mm			
9	069405	Fitting extension ¾"	N/S	317623	Thermostat and linking shaft kit

Rheem Spare Parts Manual

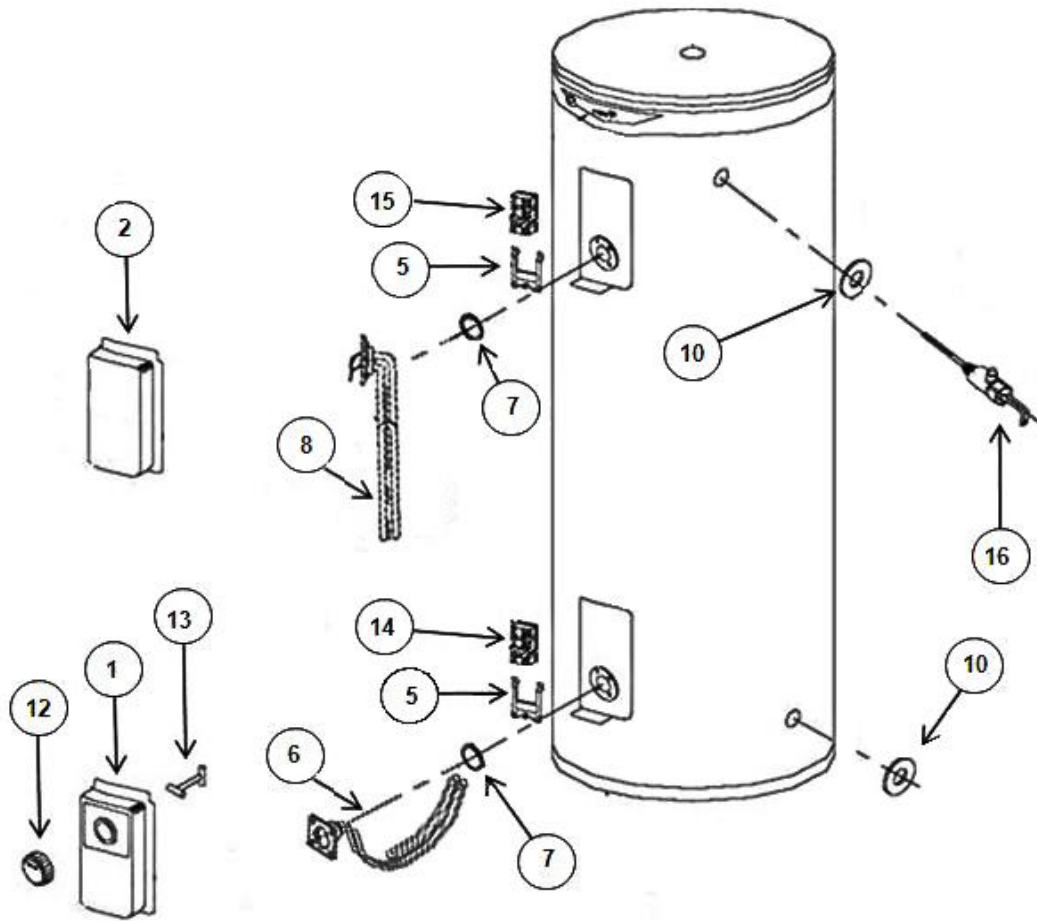
Optima 400L twin element



Item	Part No.	Description	Item	Part No.	Description
1	100738-1	Thermostat cover bottom	8	316209	Fitting liner 3/4" x 25mm
2	100704-1	Thermostat cover top	9	069405	Fitting extension 3/4"
3	221720-1	Anode cover	10	221398-1	Inlet/outlet pipe seal
4	222020	Anode (black) 1636mm	11	221411	TPRV seal
	316657	Anode (green) 1596mm	12	226928-1	Thermostat knob
5	11599	Thermostat clamp	13	226948	Thermostat/knob linking shaft
6	050314	Element 3.0kW offset	14	052014	R/Shaw T/stat ST1204133R bottom
	050317	Element 3.6kW offset	15	11077	R/Shaw T/stat ST2207233 top
	050318	Element 4.8kW offset	16	220641	TPRV HT523/507 1000kPa 1/2"
7	050704	Element gasket	17	860041	Adaptor flange & pipe

Rheem Spare Parts Manual

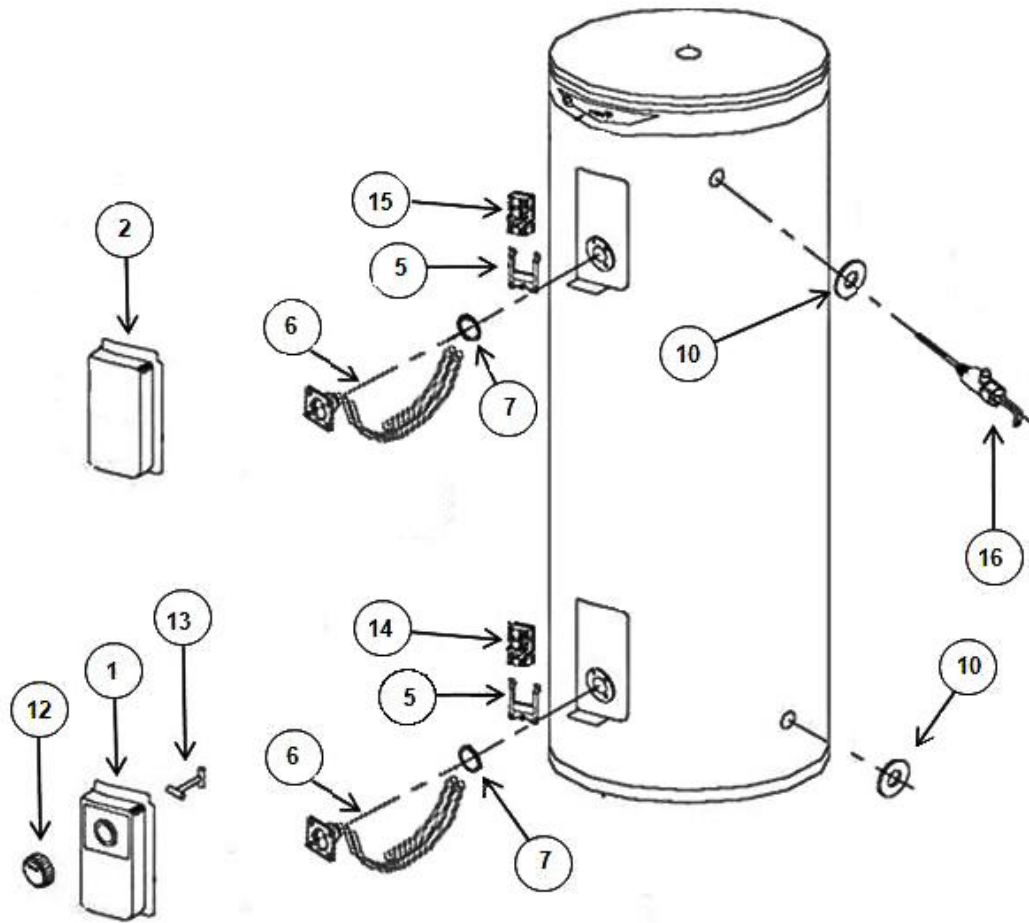
Electric Stainless Steel 32513505 - 32518005



Item	Part No.	Description	Item	Part No.	Description
1	100738-1	Thermostat cover bottom	12	226928-1	Thermostat knob
2	100704-1	Thermostat cover top	13	226948	Thermostat/knob linking shaft
5	102501	Clamp thermostat assy	14	052014	R/shaw t/stat ST1204133r bottom
6	319005	Element 3kw Incoloy sickle Lower only	15	09002	R/Shaw T/stat ST1301133 top
	319004	Element 2kw Incoloy sickle Lower Only	16	220641	TPRV HT523/507 1000kpa ½"
7	0071105	Seal element SS	n/s	317951	Cylinder feet for external install
8	319006	Element 2kw Incoloy droopy element (180L only)		310906	Loom wiring bolt on element 15A max
10	318179	Surround socket outlet / TPR red		318241	<i>180l only top element kit contains:</i> 2.0kw droopy element, thermostat, thermostat clamp, element seal, wiring loom and wiring label.
	318023	Surround socket inlet blue			

Rheem Spare Parts Manual

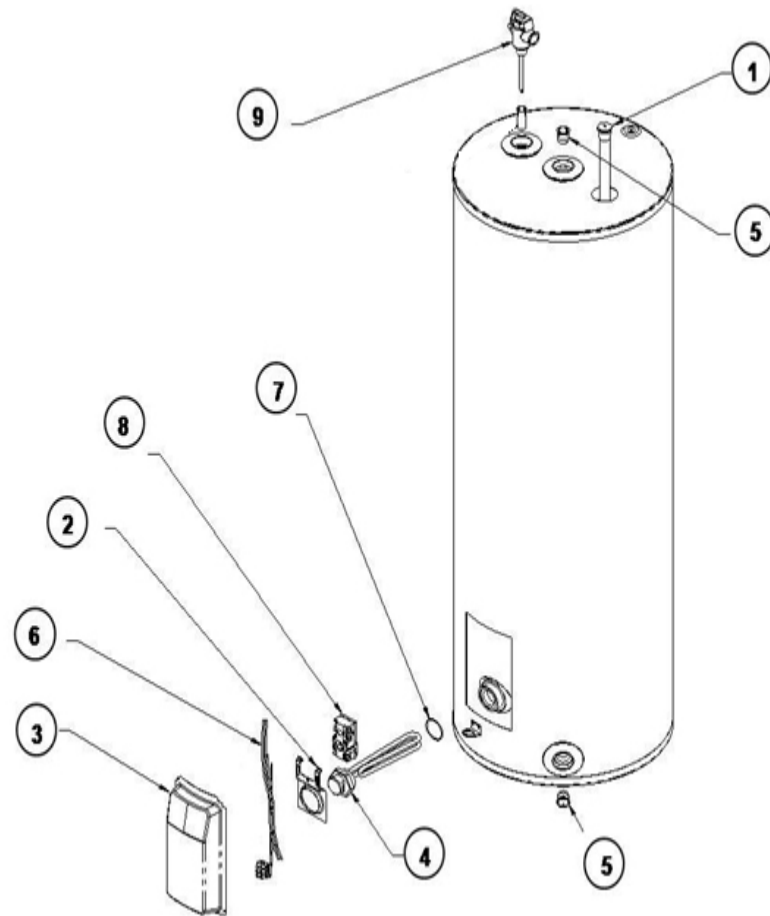
Electric Stainless Steel 32525005 – 32530005



Item	Part No.	Description	Item	Part No.	Description	
1	100738-1	Thermostat cover bottom	14	052014	R/shaw t/stat ST1204133R bottom	
2	100704-1	Thermostat cover top	15	09002	R/Shaw T/stat ST1301133 top	
5	102501	Clamp thermostat assy	16	220641	TPRV HT523/507 1000kpa ½"	
6	319005	Element 3kw Incoloy sickle	n/s	317951	Cylinder feet for external install	
7	0071105	Seal element SS		310906	Loom wiring bolt on element 15A max	
10	318179	Surround socket outlet / TPR red		318242	<i>250l-300l top element kit contains: 2.0kw sickle element, thermostat, thermostat clamp, element seal, wiring loom and label.</i>	
	318023	Surround socket inlet blue				
12	226928-1	Thermostat knob			318243	<i>250l-300l top element kit contains: 3.0kw sickle element, thermostat, thermostat clamp, element seal, wiring loom and label.</i>
13	226948	Thermostat/knob linking shaft				

Rheem Spare Parts Manual

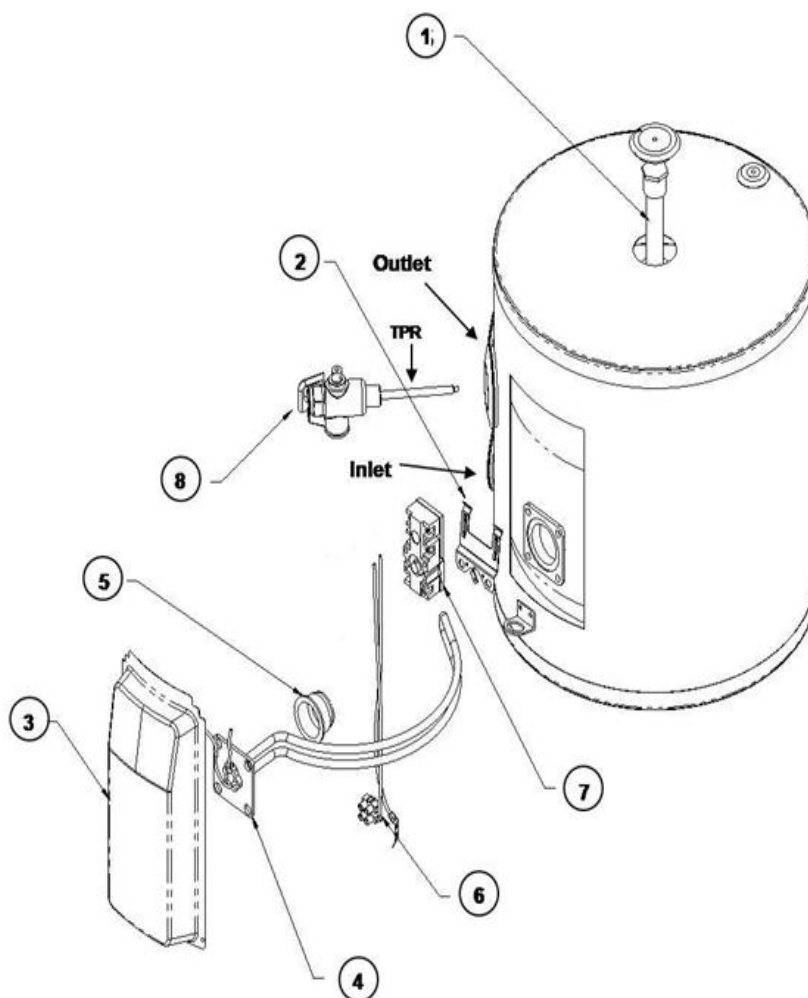
MPE prewired models 31204515 - 31230015



Item	Part No.	Description	Item	Part No.	Description
1	11004	Anode (Black) 1125mm	4	14320	Element 2.0kW tin plated
	11086	Anode (Black) 1302mm		14321	Element 3.0kW tin plated
	11085	Anode (Black) 1480mm	5	316209	Fitting Liner 3/4"x 25mm
	11011	Anode (Black) 364mm	6	13197	Wiring loom
	11000	Anode (Black) 794mm	7	10908	Element O-ring
	11009	Anode (Black) 929mm	8	10975	R/Shaw T/tat ST1204113 15-45L
2	11599	Thermostat clamp	9	315825	R/Shaw T/stat ST1203133 70-350L
3	314165	Thermostat cover deep		11003	TPRV HT553 1400kPa 1/2"
	316466	Thermostat cover slim		90423	TPRV HTE55-2 850kPa 1/2"
4	14319	Element 1.5kW tin plated		11116	TPRV HT55 1000kPa 1/2"

Rheem Spare Parts Manual

MPE prewired under bench 25L

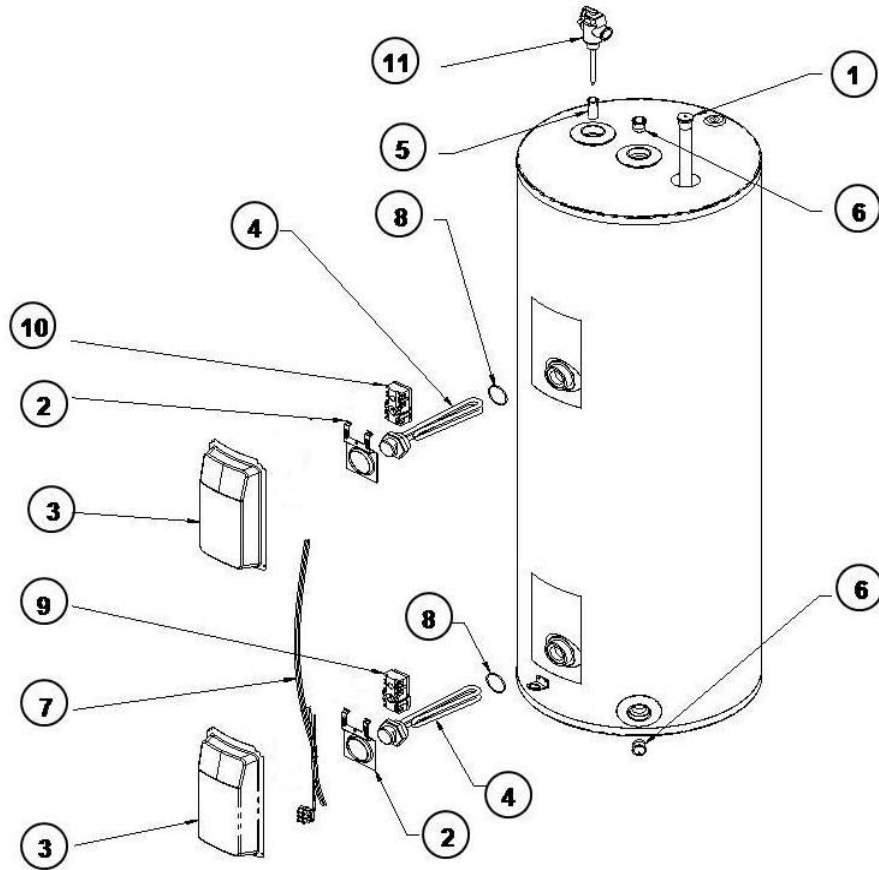


Item	Part No.	Description
1	221916	Anode (black) 230mm
2	102501	Thermostat clamp
3	314165	Thermostat cover deep
4	319026	Element 2.0kW bolt on with gasket
5	050704	Element gasket
6	13197	Wiring loom
7	10975	R/Shaw thermostat ST12044113 15L-45L
8	11003	TPRV HT553 1400kPa ½"

Rheem Spare Parts Manual

MPE prewired twin element Non-simultaneous (day/night rate) Models 31218025 - 31225025

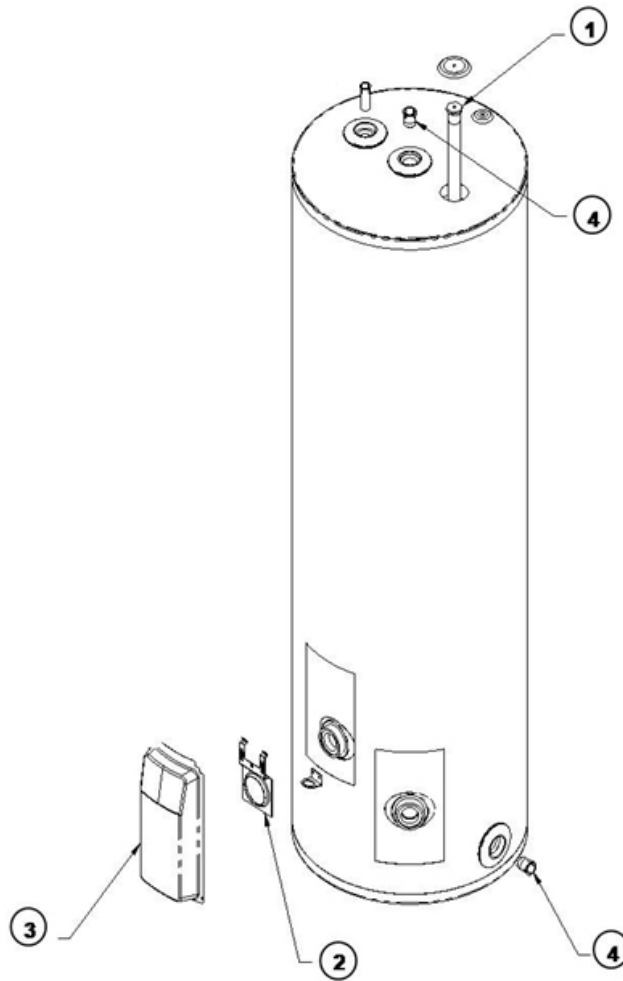
31230025 Discontinued April 2004



Item	Part No.	Description
1	11086	Anode (black) 1302mm
	11085	Anode 9black) 1572mm
2	11599	Thermostat clamp
3	314165	Thermostat cover deep
	316466	Thermostat cover slim
4	14321	Element 3.0kW tin plated
6	316209	Fitting liner 3/4"x 25mm
7	OBSOLETE	Wiring loom
8	10908	Element O-ring
9	315825	R/Shaw T/stat ST1203133 bottom
10	11077	R/Shaw T/stat ST2207233 top
11	11116	TPRV HT55 1000kPa 1/2"
	15247	TPRV HTE575-2 850kPa 3/4"

Rheem Spare Parts Manual

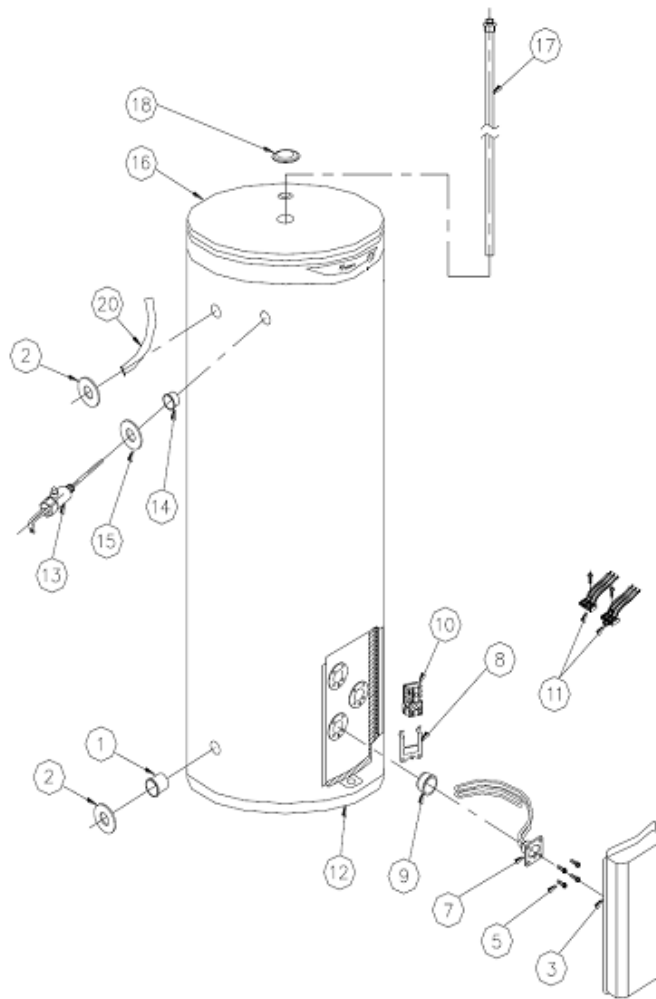
MPE bare Models 31130000 - 31230000 Discontinued July 2005



Item	Part No.	Description
1	11085	Anode (black) 1480mm
2	11599	Thermostat clamp
3	314165	Thermostat cover deep
4	316209	Fitting liner 3/4" x 25mm
N/S	11116	TPRV HT55 1000kPa 1/2"
	14321	Element 3.0kW tin plated
	14322	Element 5.0kW incoloy single blade
	315825	R/Shaw T/stat ST1203133 70L-350L
	13197	Wiring loom (up to 3.0kW) 31230033
	317293	Wiring loom (up to 5.0kW) single blade
	11116	TPRV HT55 1000kPa 1/2"

Rheem Spare Parts Manual

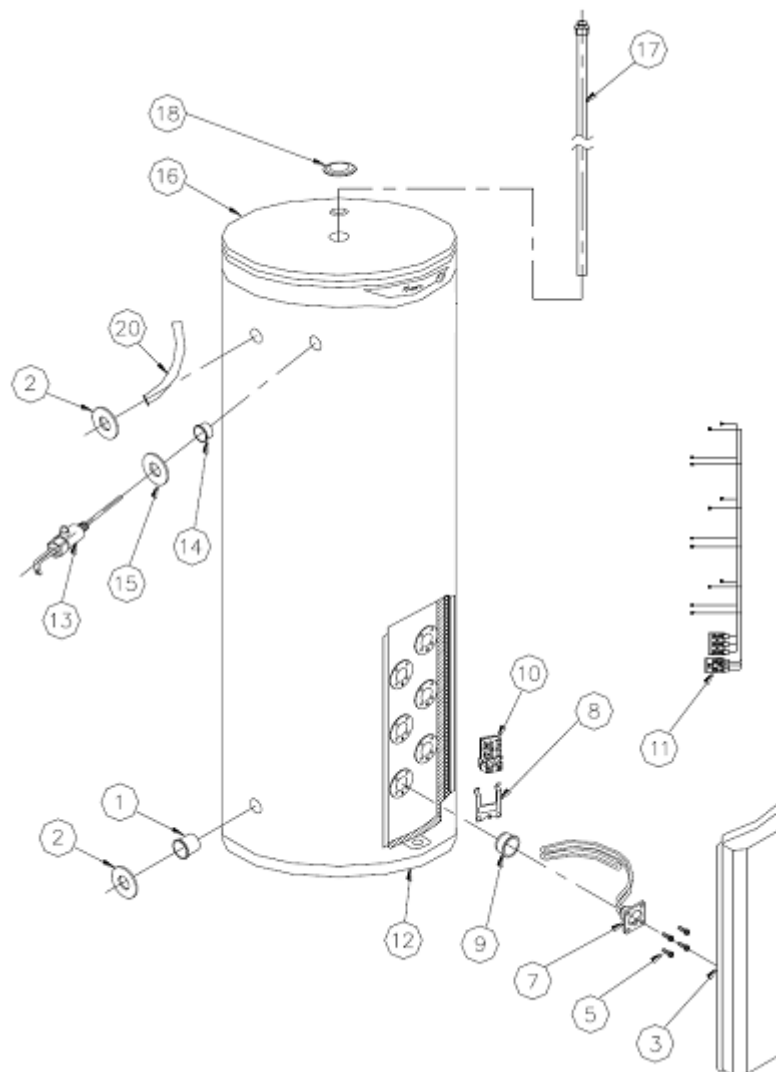
Commercial 3 element models



	Part No.50L	Part No.315L	Description		Part No.50L	Part No.315L	Description
2	221406-1	221406-1	Inlet/outlet pipe seal	11	051510	051510	Terminal block
3	103411-1	103511-1	Thermostat cover	12	100526-1	100624-1	Jacket Bottom
5	051404	051404	Element screw	13	220604	220604	TPRV HTE715-717
7	050210	050210	Element 3.6kW & gasket	14	229460	229460	TPRV fitting liner
	050254	050254	Element Incoloy 3.6kW	15	221392-1	221404-1	TPRV seal
	804463	804463	Element 4.8kW & gasket	16	100622-1	100647-1	Jacket top
	050255	050255	Element Incoloy 4.8kW	17	222023	222021	Anode (black) 485/1400mm
	14490	14490	Element 6.0kW& gasket		222037	222015	Anode (green)
050256	050256	Element Incoloy 6.0kW	n/a		222031	Anode (blue) 1370mm	
8	102501	102501	Thermostat clamp	18	221720-1	221720-1	Anode cover
9	050704	050704	Element gasket	20	220510	220511	Dip tube (outlet)
10	052016	052016	R/Shaw T/stat	n/s	860041	860041	Adaptor plate and flange

Rheem Spare Parts Manual

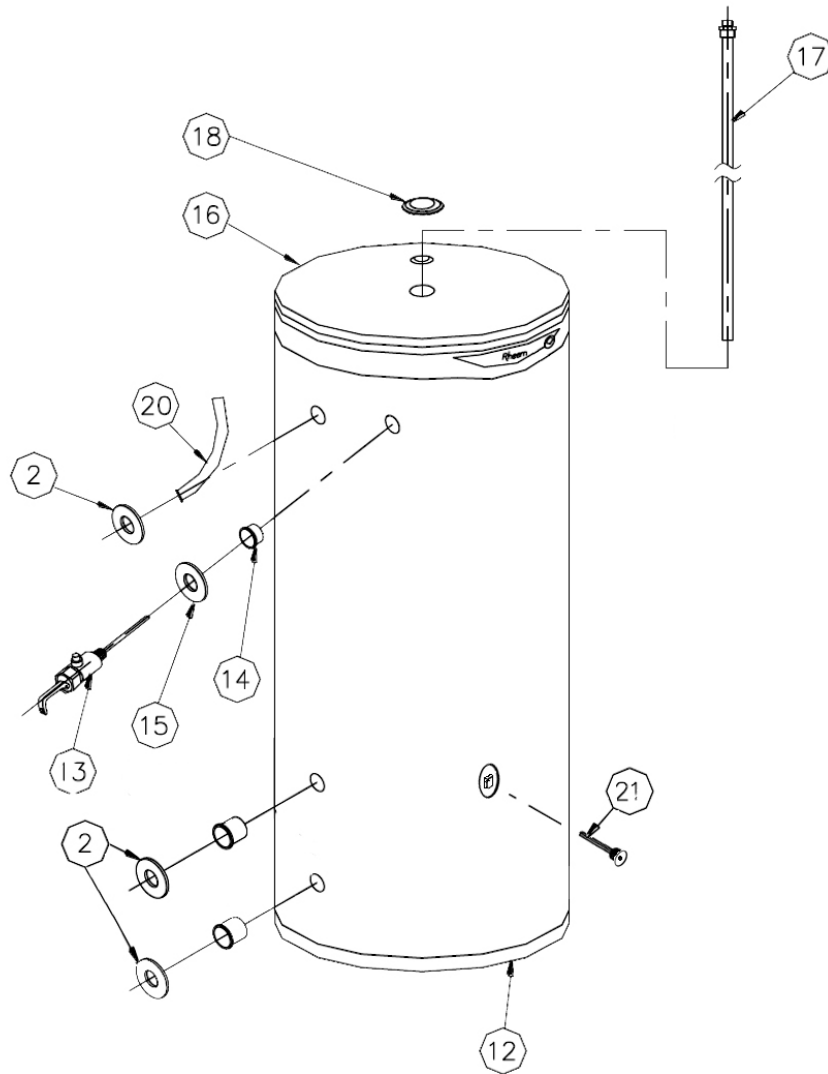
Commercial 6 element models



Item	Part no.	Description	Item	Part no.	Description
2	221406-1	Inlet/outlet pipe seal	11	051706	Terminal block
3	103512-1	Thermostat cover	12	100624-1	Jacket bottom
5	051404	Element Screw	13	220604	TPRV HTE715-717 1000kPa 3/4"
7	050210	Element & gasket 3.6kW	14	229460	TPRV fitting liner
	050254	Element Incoloy 3.6kW	15	221404-1	TPRV seal
	804463	Element & gasket 4.8kW	16	100647-1	Jacket top
	050255	Element Incoloy 4.8kW	17	222021	Anode (black) 1400mm
	14490	Element & gasket 6.0kW		222031	Anode (blue) 1370mm
	050256	Element Incoloy 6.0kW		222015	Anode (green) 1402mm
8	102501	Thermostat clamp	18	221720-1	Anode cover
9	050704	Element gasket	20	220511	Dip tube (outlet)
10	052016	R/Shaw T/stat ST1205134	n/s	860041	Adapter flange and pipe

Rheem Spare Parts Manual

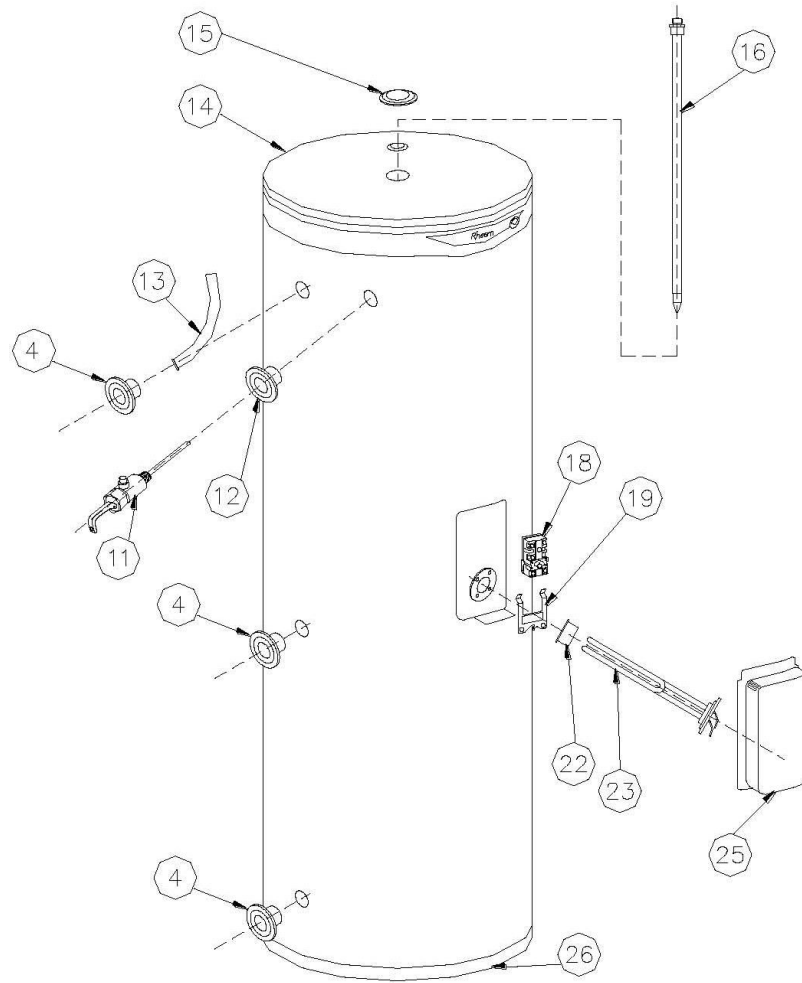
Storage cylinder 610 Series



Item	Part No.340L	Part No.430L	Description
2	221406-1	221406-1	Inlet/outlet pipe seal
12	100624-1	100624-1	Jacket bottom
13	220604	220604	TPRV HTE715-717 1000kPa 3/4"
14	229460	229460	TPRV fitting liner
15	221404-1	221404-1	TPRV seal
16	100647-1	100647-1	Jacket top
17	221915	221915	Anode (black) 1400mm
	221925	221925	Anode (blue) 1370mm
	222015	222015	Anode (green) 1402mm
18	221720-1	221720-1	Anode cover
20	220511	220511	Dip tube (Outlet)
21	079427	079427	Thermostat Well
n/s	56609162	56609162	Thermostat Siemens RAK112

Rheem Spare Parts Manual

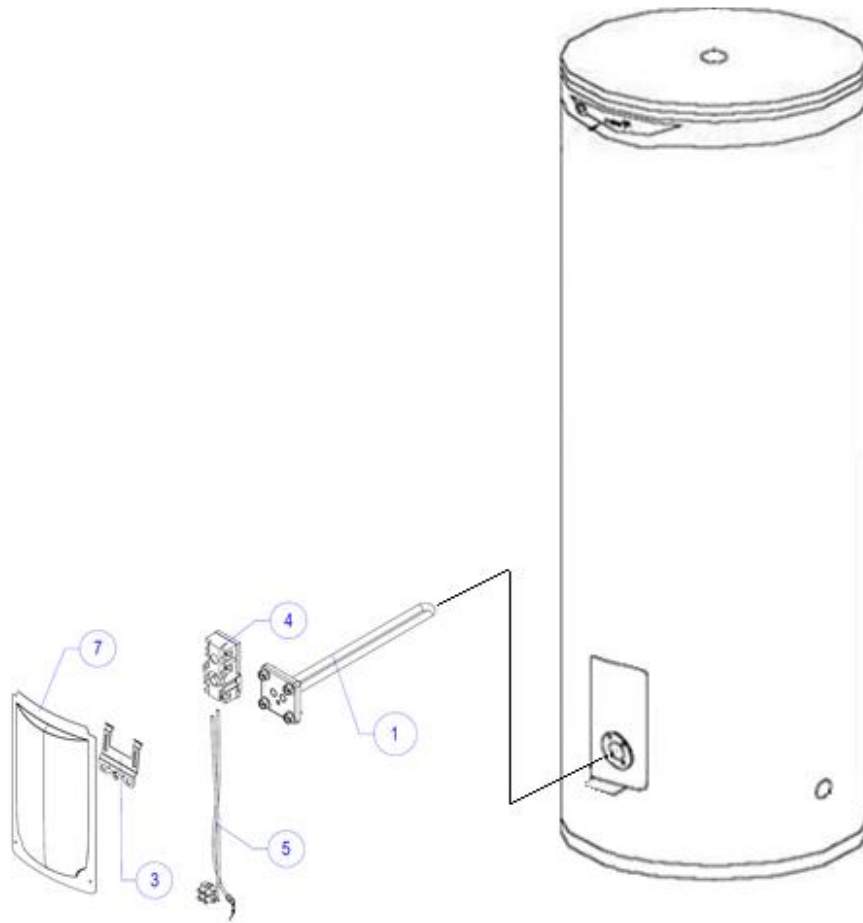
Solar Storage cylinder 511 series



Item	Part No.270L	Part No.340L	Part No.430L	Description
4	221404-1	221404-1	221404-1	Inlet/outlet pipe seal
11	220641	220641	220641	TPRV HTE523/5071000kPa ½ ”
12	221408-1	221408-1	221408-1	TPRV seal fitting liner
13	225601	225601	225601	Dip tube (Outlet)
14	100647-1	100647-1	100647-1	Jacket Top
15	221720-1	221720-1	221720-1	Anode cover
16	221915	221915	221915	Anode (black) 1400mm
	221925	221925	221925	Anode (blue) 1370mm
	222015	222015	222015	Anode (green) 1400mm
18	051350	051350	051350	Thermostat
19	102501	102501	102501	Thermostat clamp
22	050704	050704	050704	Element Gasket
23	050316	050316	050316	Element – 2.4kW
	050317	050317	050317	Element – 3.6kW
	050318	050318	050318	Element – 4.8kW
25	100726-1	100726-1	100726-1	Access Cover
26	100642-1	100642-1	100642-1	Jacket Bottom

Rheem Spare Parts Manual

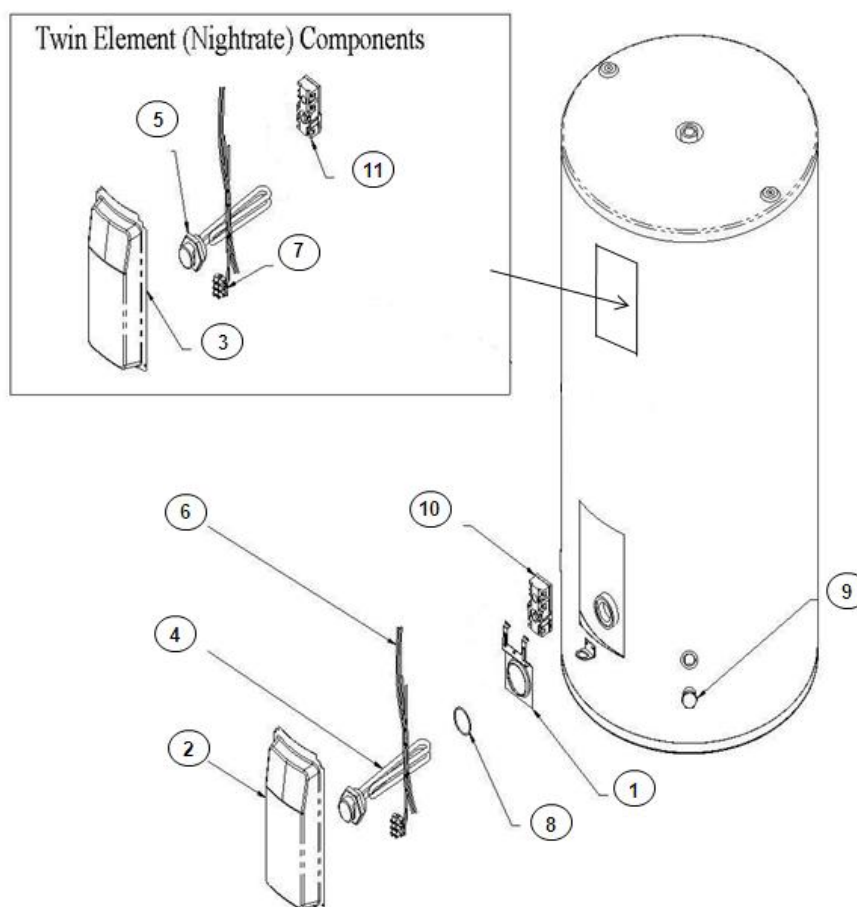
LPVE Low Pressure VE steel 1489013T - 15827015T



Item	Part No.	Description	Item	Part No.	Description
1	318478	Element 2.0kW (incudes gasket and bolts)	4	315825	Thermostat
	318479	Element 3.0kW (incudes gasket and bolts)	5	310906	Wiring Loom
3	102501	Clamp thermostat assy	7	318452	E & T cover

Rheem Spare Parts Manual

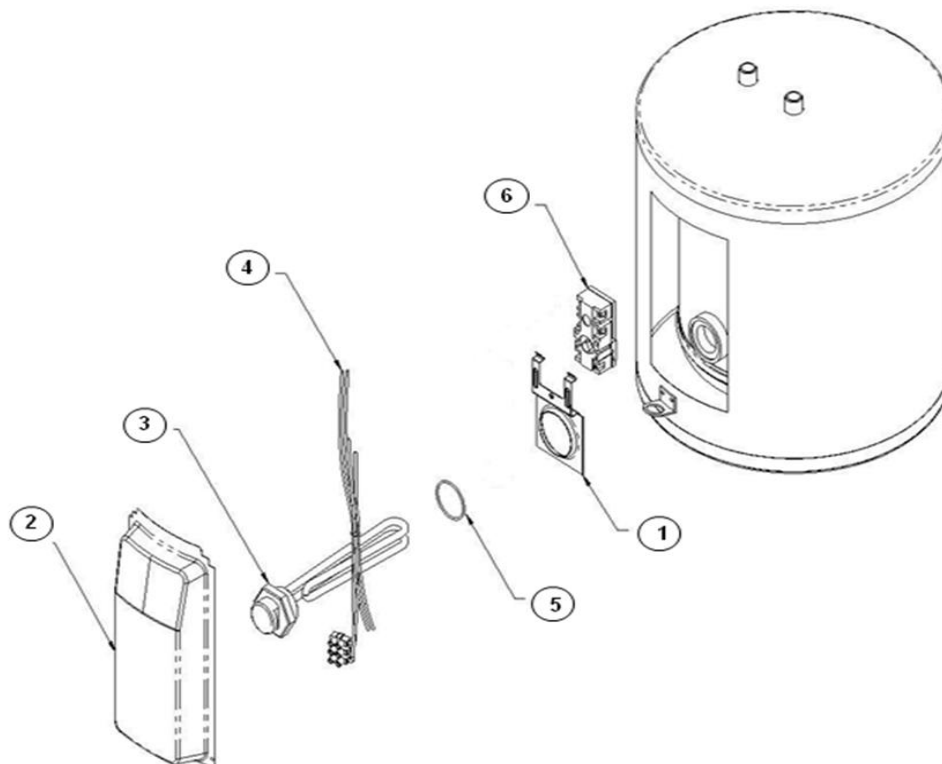
LPE Pre-wired



Item	Part No.	Description
1	11599	Thermostat clamp
2	11910	Thermostat cover bottom
3	314165	Thermostat cover deep (pre March 2003) top
	316466	Thermostat cover slim (post March 2003) top
4	14315	Element 1.0kW nickel plated
	14316	Element 1.5kW nickel plated
	14317	Element 2.0kW nickel plated
5	14318	Element 3.0kW nickel plated
6	13197	Wiring loom prewired
	13196	Wiring loom BCR prewired
7	13197	Wiring loom prewired
8	10908	Element O-ring
9	14545	Plug 3/4" triple inlet cylinder
	10975	R/Shaw T/stat ST1204113 15-45L under sink
	315825	R/Shaw T/stat ST1203133 bottom 70-350L twin element
10	316401	R/Shaw T/stat ST1001130 BCR prewired & Wetback
	11077	R/Shaw T/stat ST2207233 non simultaneous twin element top

Rheem Spare Parts Manual

LPE prewired under bench Models 19901513 19902513 19904013

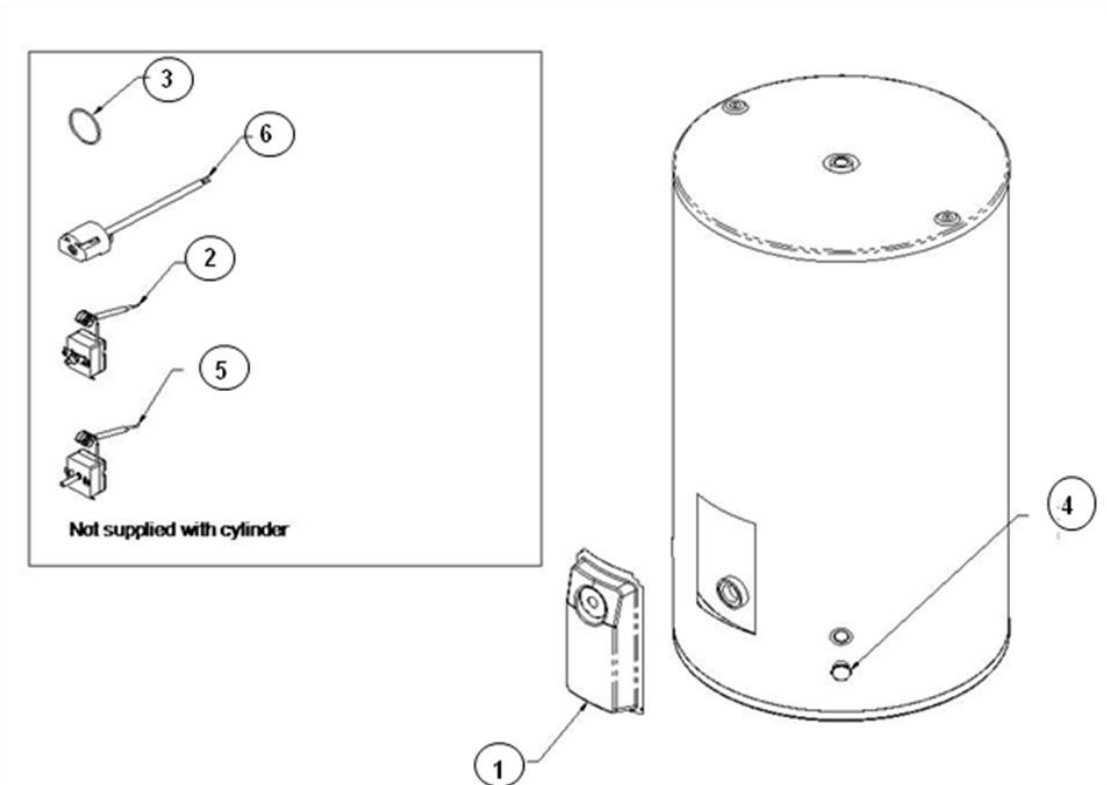


Item	Part No.	Description
1	11599	Thermostat clamp
2	314165	Thermostat cover deep (pre March 2003)
	316466	Thermostat cover slim (post March 2003)
3	14315	Element 1.0kW nickel plated
	14316	Element 1.5kW nickel plated
	14317	Element 2.0kW nickel plated
	14318	Element 3.0kW nickel plated
4	13197	Wiring loom prewired
5	10908	Element O-ring
6	10975	R/Shaw thermostat ST1204113

Rheem Spare Parts Manual

Low Pressure Electric bare

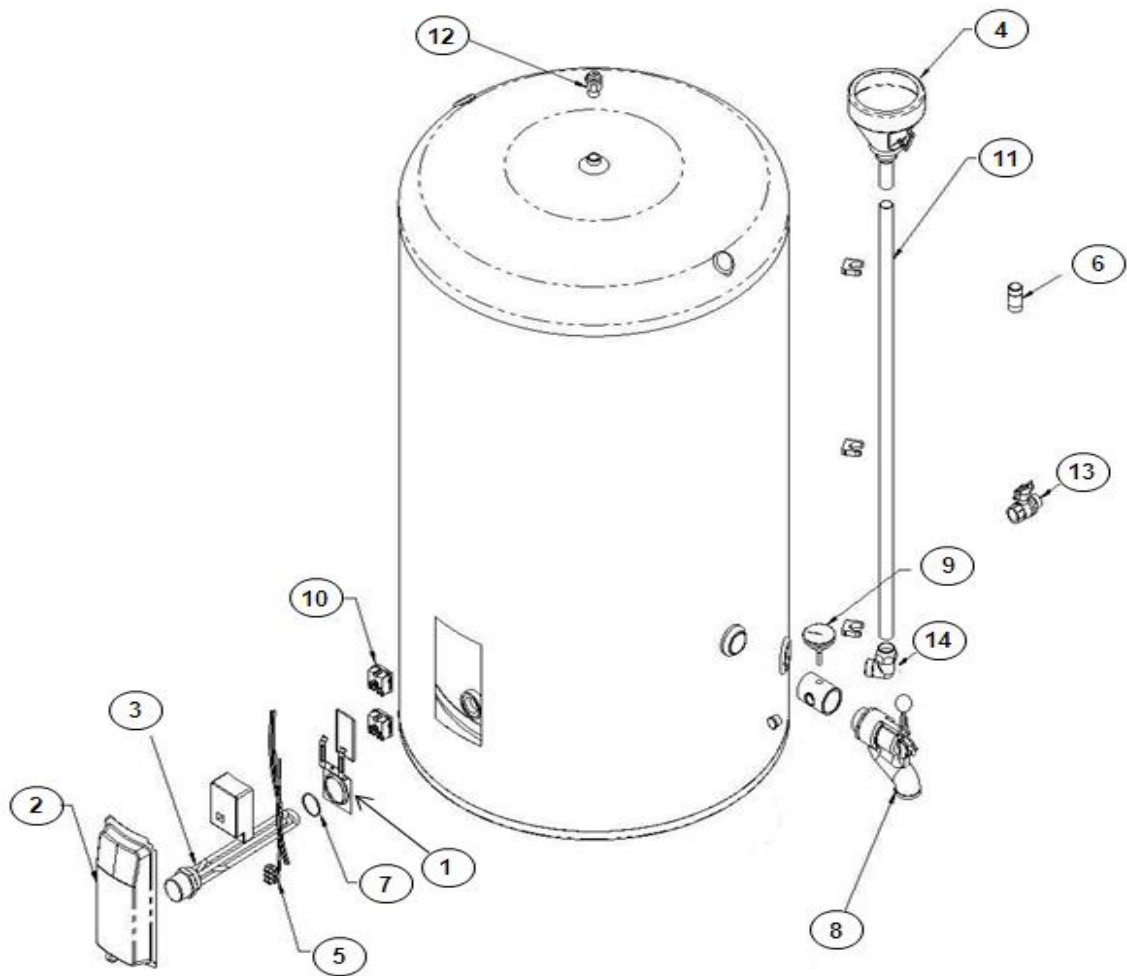
Discontinued July 2005



Item	Part No.	Description
1	314165	Thermostat cover deep (pre March 2003)
	316466	Thermostat cover slim (post March 2003)
2	90042	E.C.O thermostat
3	10908	Element O-ring
4	14545	Plug 3/4" triple inlet cylinder
5	90376	Thermostat probe type 79°C
6	990371	Thermostat 11" probe type 40-80°C
	10185	Thermostat 7" probe type 40-80°C

Rheem Spare Parts Manual

LPE dairy DB series

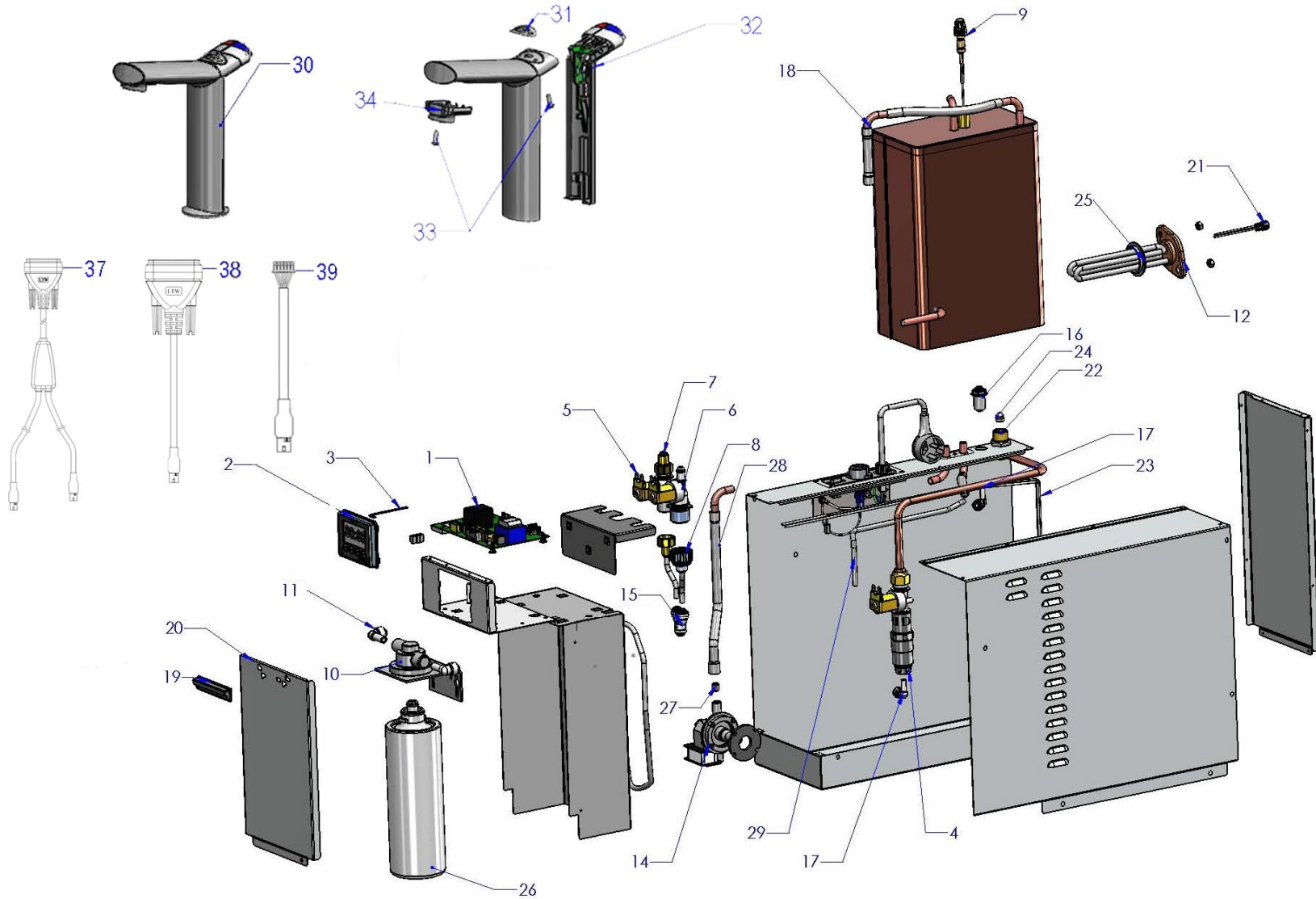


Item	Part No.	Description	Item	Part No.	Description
1	11599	Thermostat clamp	12	315784	Vacuum relief valve AVH50
2	314165	Thermostat cover deep	13	10170	Ball valve 3/4"
	316466	Thermostat cover slim	14	314942	Elbow brass 1"
3	15180	Element 3/6kW nickel	N/S	316197	O-Ring & Tap Washer
4	14924	Funnel	N/S	15176	Dairy kitset
5	014916	Wiring loom			1 x socket tap
6	10151	Nipple 3/4"x 2"			1 x Plug 1/2 " BSP
7	10908	Element O-ring			1 x Tube spill extrn
8	90343	Tap 40mm			1 x Funnel
9	14935	Thermometer			1 x Nipple 3/4 " x 2" barrel
10	315948	Thermostat kit (wiring loom)			1 x Thermometer
11	14907	Sight glass tube 250L			1 x Valve ball 3/4 " BSP
	14909	Sight glass tube 350L			1 x Valve vacuum relief
	14910	sight glass tube 450L and			

Rheem Spare Parts Manual

740003/5

740003PC (Before 23/6/2010) & 740005PC (Before 19/7/2010)



Rheem Spare Parts Manual

740003/5

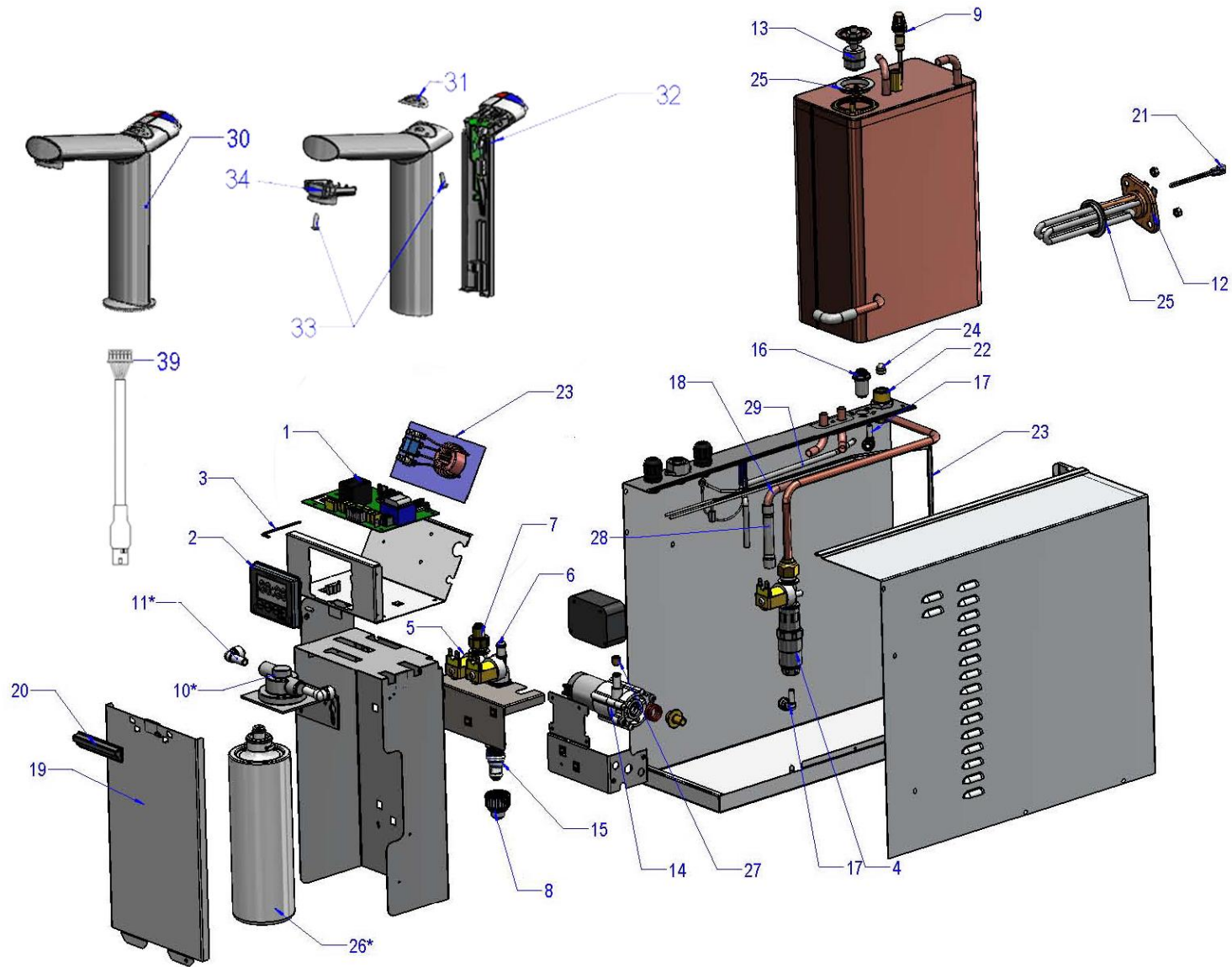
740003PC (Before 23/6/2010) & 740005PC (Before 19/7/2010)

Item	Part No	Description	Item	Part No	Description
1	317345	Control board for all models manufactured after Nov 2009	20	316751	Handle door 3/5 all models
	317717	Controller kit – for models manufactured before Nov 2009			
2	317339	Timer assy under sink for all models manufactured after Nov 2009. Otherwise use kit pn 317717	21	310537	Thermistor
3	316955	Ribbon connector timer 3-10L	22	316813	Fitting inlet 740 Srs ½" x 15mm NZ ONLY
4	317647	Valve PLV Apex Brass Filtamate		317177	Fitting inlet 740 Srs ½" x 12mm Au (AUS ONLY)
5	317343	Valve solenoid VAI180-230 (Inlet & Cold)	23	318102	Wiring loom BWU:- 740 F units manufactured October 2011 to present
6	318261	Valve solenoid 220-240Vac 0.5L/min (Hot)		317756	Wiring loom BWU:- 740 PC units manufactured before October 2011
7	317744	Brass fitting ¼" to ½" BSP (J.Guest, cold/inlet solenoids)	24	10470	Filter inlet 15mm
8	317013	Fitting inlet solenoid (¾" BSP to ¼" John Guest boiling solenoid)	25	312142	Gasket silicone
9	312029	Level probe	26	317067	Filter Everpure 5 micron
10	316772	Filter Mount Everpure	27	317317	Restrictor flow outlet 740/750 Series
11	316814	Fitting elbow ¼" to 3/8"	28	316264	Tube silicone 2.5m
12	317164	Element 1.8kW Incoloy (5 Litre)	29	317101	Tube John Guest white ¼" * 2.54m straight
	317346	Element 1.5kW Incoloy (3 Litre)	30	317324	Tap assembly
13	318075	Float switch	31	317282	Label, switch/led overlay, tap
14	318225	Pump Karlite :-For 740003PC units manufactured AFTER 23.6.10 to present and 740005PC units manufactured AFTER 19.7.10 to present	32	317795	Tap back assembly
	318226	Pump Karlite Kit :-For 740003PC units manufactured BEFORE 23.6.10 and 740005PC units manufactured BEFORE 19.7.10 - present	33	317281	Tap back assy screw M4 x10 stainless St. pan head phillips
15	316810	Fitting "Y" divider ¼" tube	37	317499	Wiring loom adaptor BWU to tap & chiller
16	317056	Fitting bulkhead ¼"	38	317949	Wiring loom adaptor BWU to chiller
17	317087	Fitting elbow ¼" to ¼" stem	39	317689	Wiring loom adaptor tap to BWU
19	316769	Access panel 3/5 models manufactured before 6/2010	n/s	319036	HW Flow restrictor kit.
	317754	Access panel 3/5 models manufactured after 6/2010			

Rheem Spare Parts Manual

740003/5

740003PC (After 23/6/2010) & 740005PC (After 19/7/2010)



Rheem Spare Parts Manual

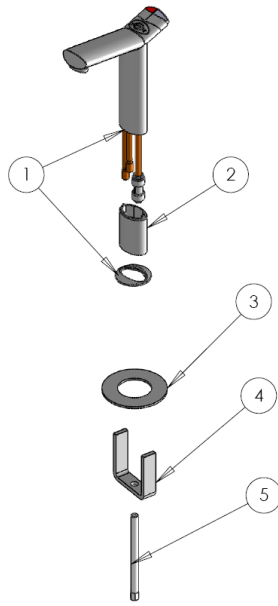
740003/5

740003PC (After 23/6/2010) & 740005PC (After 19/7/2010)

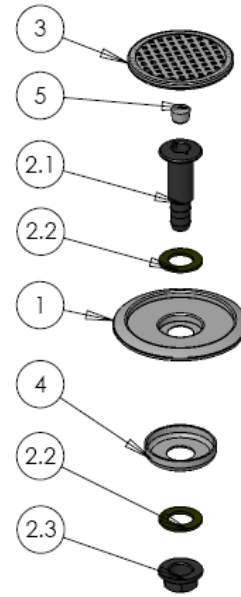
Item	Part No	Description	Item	Part No	Description
1	317345	Control board for all models manufactured after Nov 2009	20	316751	Handle Door 3/5 all models
	317717	Controller kit – for models manufactured before Nov 2009			
2	317339	Timer Assy Under sink for all models manufactured after Nov 2009. Otherwise use kit pn 317717	21	310537	Thermistor
3	316955	Ribbon connector timer 3-10L	22	316813	Fitting Inlet 740 Srs ½" x 15mm NZ ONLY
4	317647	Valve PLV Apex brass Filtamate		317177	Fitting Inlet 740 Srs ½" x 12mm Au (AUS ONLY)
5	317343	Valve solenoid VAI180-230 (Inlet & Cold)	23	318102	Wiring Loom:- For 740 F units manufactured October 2011 to present
6	318261	Valve solenoid 220-240Vac 0.5L/min (Hot)		317756	Wiring Loom:- For 740 PC units manufactured before October 2011
7	317744	Brass Fitting ¼" to ½" BSP (J.Guest, cold/inlet solenoids)	24	10470	Filter inlet 15mm
8	317013	Fitting inlet solenoid (¾" BSP to ¼" John Guest boiling solenoid)	25	312142	Gasket silicone
9	312029	Level probe	26	317067	Filter Everpure 5 micron
10	316772	Filter mount Everpure	27	317317	Restrictor flow outlet 740/750 series
11	316814	Fitting elbow ¼" to 3/8"	28	316264	Tube silicone 2.5m
12	317164	Element 1.8kW Incoloy (5 Litre)	29	317101	Tube John Guest white ¼" * 2.54m straight
	317346	Element 1.5kW Incoloy (3 Litre)	30	317324	Tap assembly
13	318075	Float Switch	31	317282	Label, switch/led overlay, tap
14	318225	Pump Karlite :-For 740003PC units manufactured AFTER 23.6.10 to present and 740005PC units manufactured AFTER 19.7.10 to present	32	317795	Tap back assembly
	318226	Pump Karlite Kit :-For 740003PC units manufactured BEFORE 23.6.10 and 740005PC units manufactured BEFORE 19.7.10 - present	33	317281	Tap back assy screw M4 x10 stainless st. pan head phillips
15	316810	Fitting "Y" divider ¼" tube	39	317689	Wiring loom adaptor tap to bwu
16	317056	Fitting bulkhead ¼"			
17	317087	Fitting elbow ¼" to ¼" stem	n/s	317690	Wiring loom BWU to tap & chiller (includes gland nut)
19	316769	Access panel 3/5 models manufactured before 6/2010		319036	HW Flow restrictor kit.

Rheem Spare Parts Manual

Rheem tap & extension

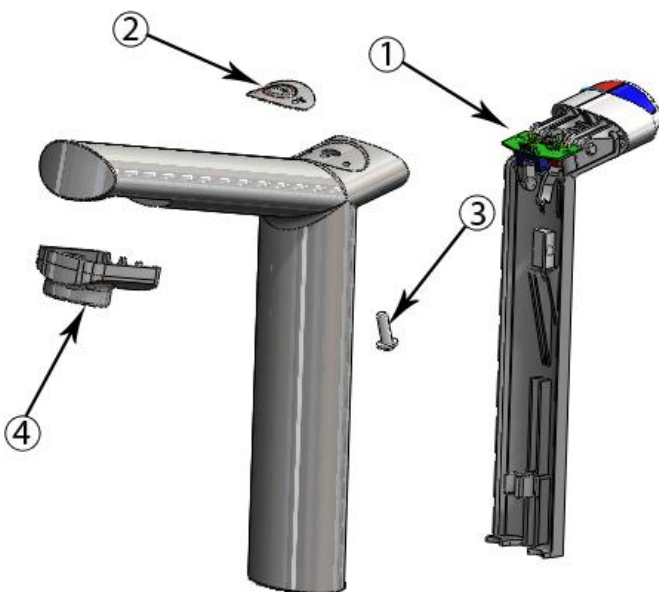


Sink free kit



Tap extension kit			Sink free kit		
Item	Part No.	Description	Item	Part No.	Description
1	317324	Rheem tap assembly	1	317373	Drain tray
2	317290	Tap extension	2	317367	Tank fitting drain
3	317459	Washer zinc plated	2.1	N/A	Tank fitting
4	317446	Extended mounting bracket	2.2	N/A	Tank fitting washer
5	317457	Extended nut	2.3	N/A	Nut
			3	317375	Drain grate
			4	317458	Cup washer
			5	317466	Bung

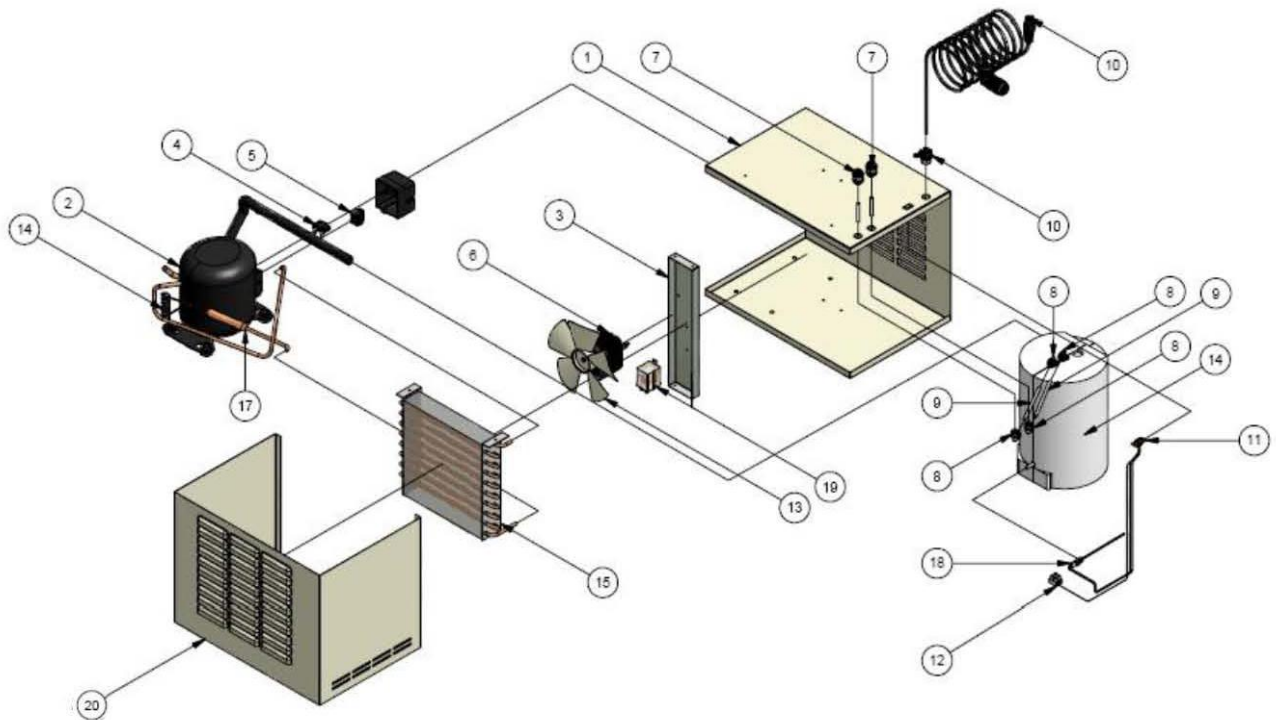
Rheem tap exploded view



Rheem Tap Components		
Item	Part No.	Description
1	317795	Tap back assembly
2	317282	Label, switch/led overlay, tap
3	317281	Tap back assembly screw m4 x10 s.s.pan head phillips
4	317265	Tap nozzle

Rheem Spare Parts Manual

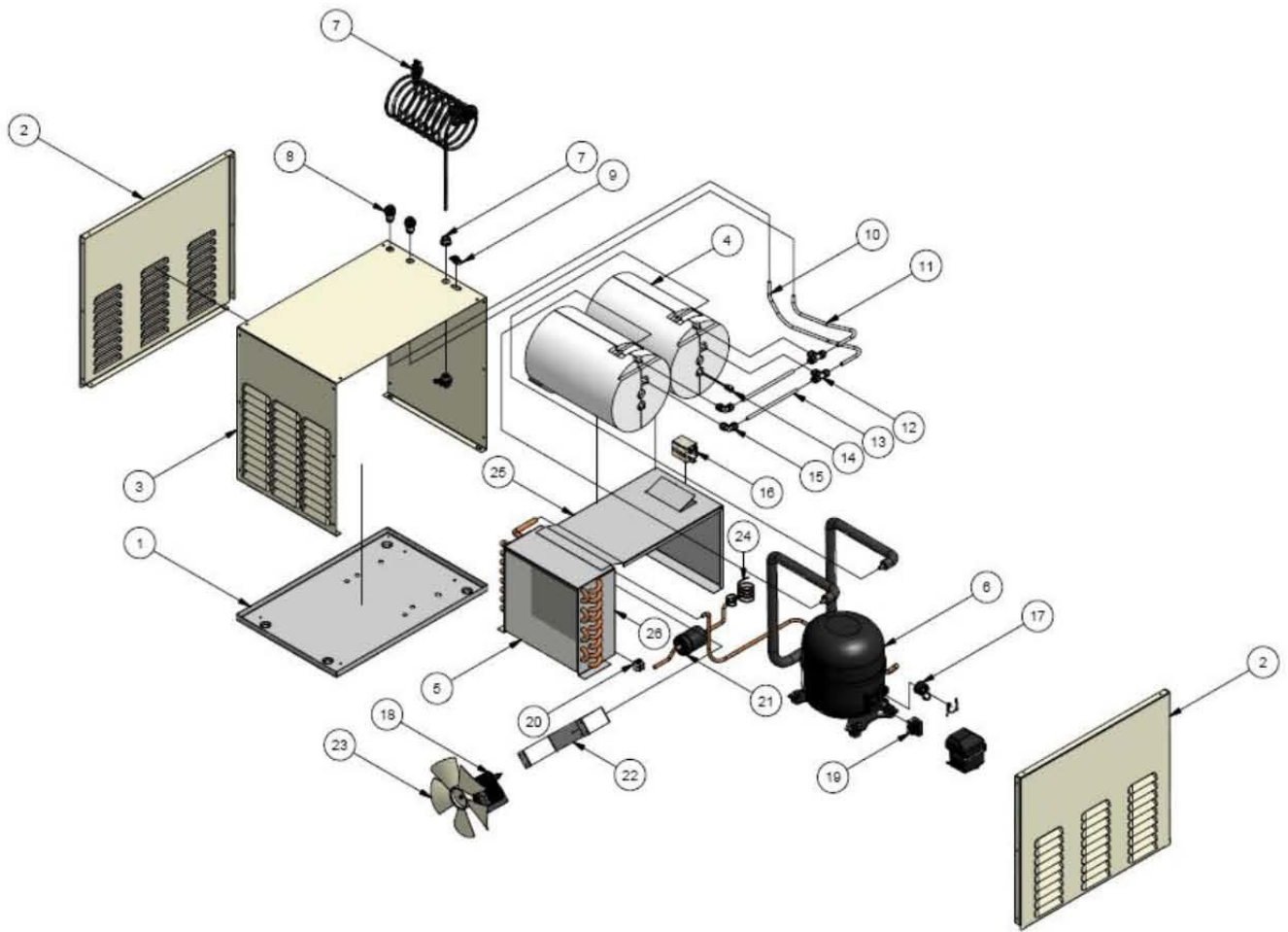
TB chiller unit 290250/3 3L push through



Item	Part No.	Description
1	N/A	Top panel
2	Z-2010	Compressor
3	N/A	Fan bracket
4	E-054	Compressor PTC relay
5	E-053	Compressor overload
6	Z-4032	Fan motor
7	N/A	1/4" Quick connect adapter (with locknut)
8	N/A	1/4" Quick connect elbow
9	N/A	1/4" PVC tubing
10	317195	Power loom with cable gland
11	317194	Thermistor & leak sensor wiring loom (inc communications socket)
12	316511	Leak detector
13	N/A	Fan blade
14	N/A	Tank assembly (Including styrene insulation)
15	N/A	Condenser
16	N/A	Capillary tube 1.1mm I.D X 2.16mm O.D (refrigeration)
17	N/A	Filter/drier (refrigeration)
18	Z-4015	Cold thermistor
19	Z-4057	Relay
20	N/A	Side panel
N/S	Z-3030	Check Valve 1/2"

Rheem Spare Parts Manual

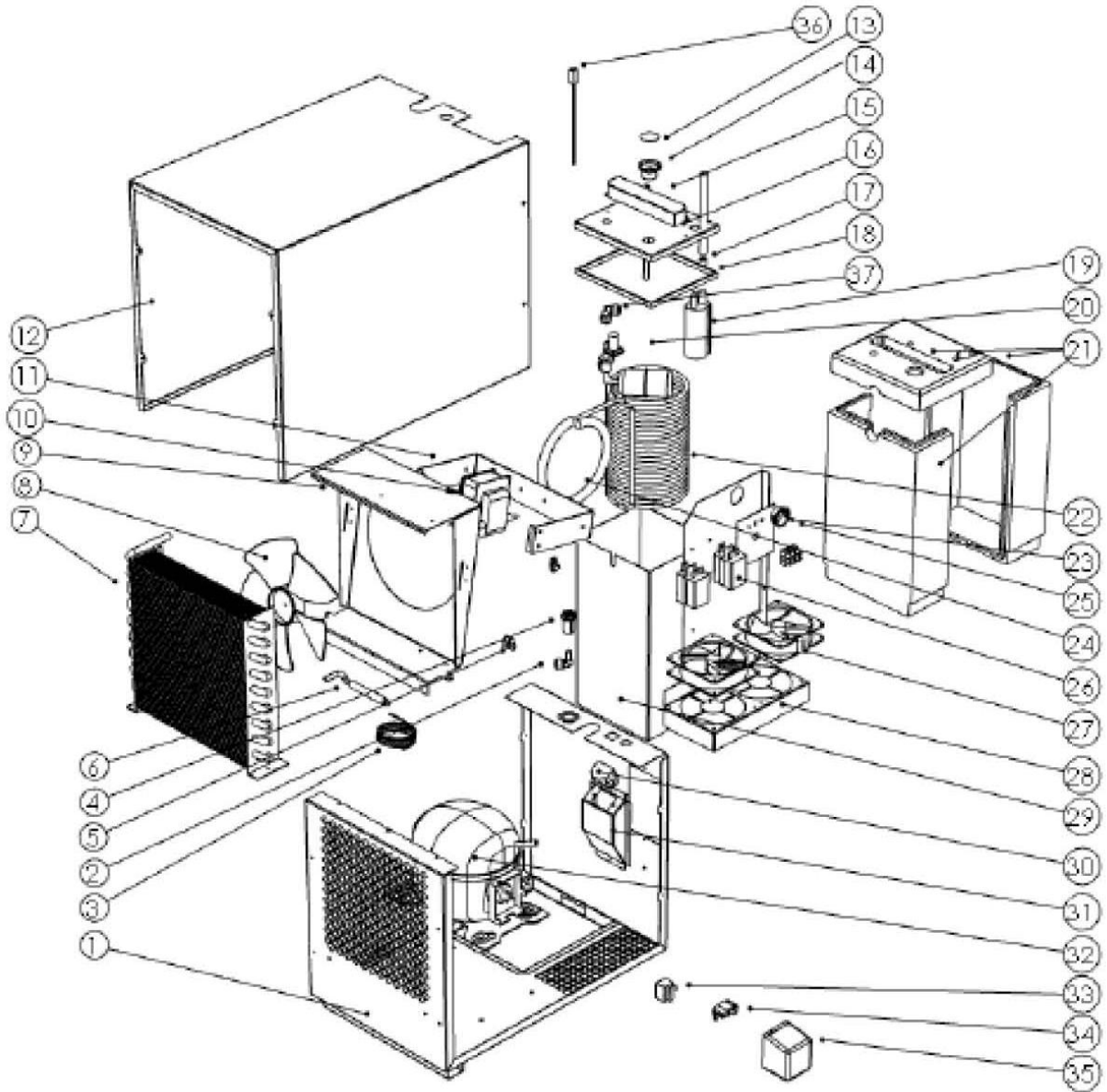
TB chiller unit 290250/5 series 6L push through



Item	Part No.	Description	Item	Part No.	Description
1	N/A	Base panel	14	Z-4015	Cold thermistor
2	N/A	Side panel	15	N/A	¼" Quick connect elbow
3	N/A	Jacket	16	Z-4057	Relay
4	N/A	PTC relay tank assembly (including styrene insulation)	17	E-057	Compressor overload
5	N/A	Condenser	18	Z-4032	Fan motor
6	Z-2030	Compressor	19	E-058	Compressor PTC relay
7	317195	Power loom with cable gland	20	316511	Leak detector
8	N/A	¼" Quick connect adapter (with locknut)	21	N/A	Filter/drier (refrigeration)
9	317194	Thermistor & leak sensor wiring	22	N/A	Fan bracket
10	N/A	¼" PVC tubing (inlet)	23	Z-4033	Fan blade
11	N/A	¼" PVC tubing (outlet)	24	N/A	Capillary tube 1.1mm I.D X 2.16mm O.D (refrigeration)
12	N/A	¼" Quick connect T piece	25	N/A	Tank support bracket
13	N/A	¼" PVC tubing (tank to tank)	26	N/A	Fan shroud

Rheem Spare Parts Manual

TB chiller unit 290254/5 series 3 – 6L pumped



Rheem Spare Parts Manual

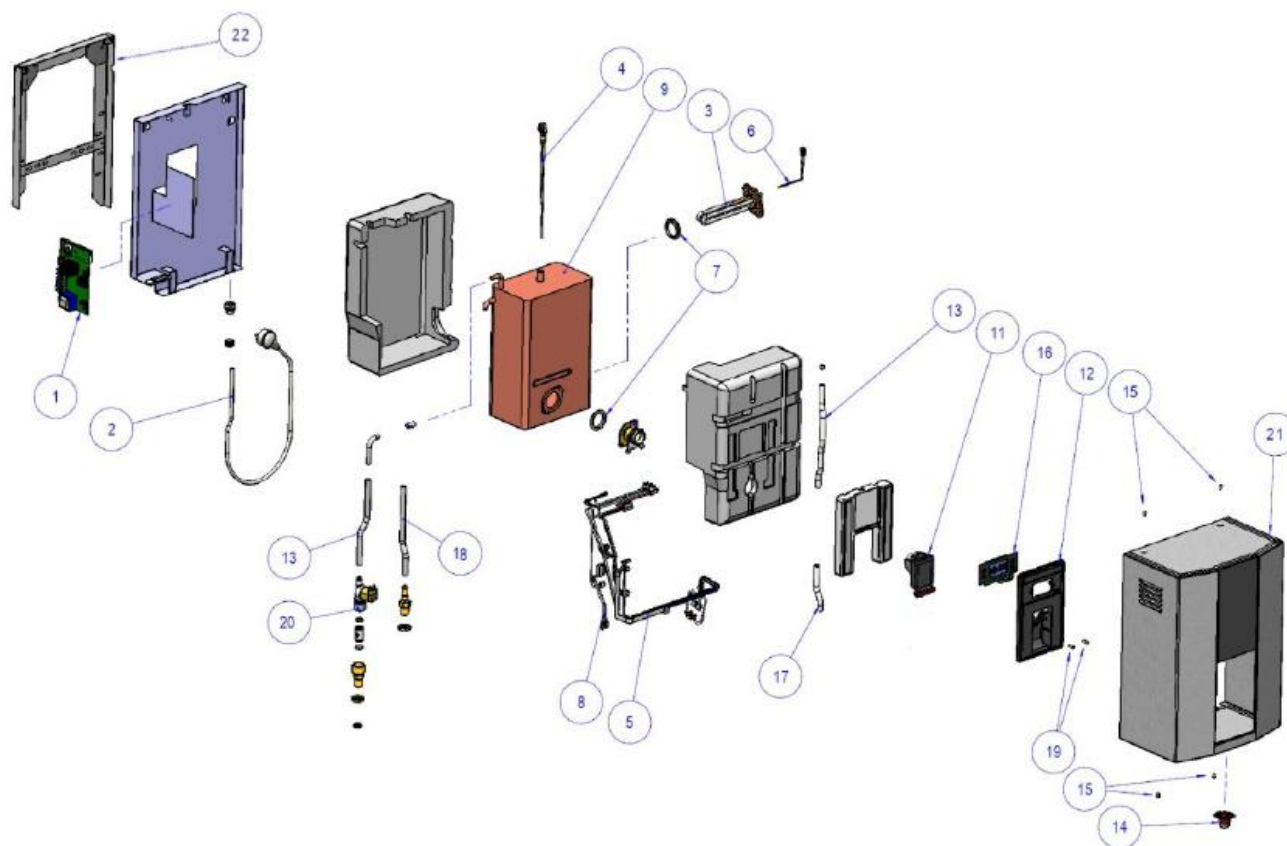
TB chiller unit 290254/5 series 3 – 6L pumped

Item	290254	290255	Description
1	N/A	N/A	Chassis
2	N/A	N/A	John Guest 1/4" stem x 1/4" push fit elbow
3	N/A	N/A	Capillary tube
4	N/A	N/A	John Guest 1/4" bulkhead adapter fitting and lock nut
5	N/A	N/A	Terminal block for leak detector wire
6	N/A	N/A	Filter/drier
7	N/A	N/A	Condenser coil
8	Z-4033	Z-4033	Condenser fan blade
9	N/A	N/A	Condenser fan cowling
10	Z-4032	Z-4032	Condenser fan motor
11	N/A	N/A	Condenser fan motor bracket
12	N/A	N/A	Top/side Jacket
13	Z-3125	Z-3125	Air filter
14	N/A	N/A	Air filter housing
15	Z-7728	Z-7728	Pump transformer
16	N/A	N/A	Storage tank lid assembly
17	N/A	N/A	Flow restrictor - brass
18	N/A	N/A	Storage tank lid seal
19	Z-8300	Z-8300	Comet chilled water pump
20	C-138	C-138	Float valve assembly
21	N/A	N/A	Insulation assembly
22	N/A	N/A	Evaporator coil
23	N/A	N/A	Cable bush
24	N/A	N/A	Suction line insulation (Aero flex)
25	N/A	N/A	Terminal block
26	Z-4057	Z-4057	Compressor relay (left) and pump relay (right)
27	Z-7727	Z-7727	Internal vent fans with EMC choke
28	N/A	N/A	Internal vent fans bracket
29	N/A	N/A	Tank assembly
30	N/A	N/A	External vent fan socket
31	N/A	N/A	Component bracket
32	Z-2010	Z-2010	Compressor
33	E-054	E-054	Compressor PTC resistor block
34	E-053	E-053	Compressor thermal overload
35	N/A	N/A	Compressor electrical box cover
36	Z-6023	Z-6023	Thermistor
37	N/A	N/A	Storage tank 1/4" quick connect elbow
N/S	N/A	N/A	Mains cord set
N/S	Z-7729	Z-7729	Communications cable

Rheem Spare Parts Manual

Lazer Office 701 series 3L & 5L

Launched March 2012

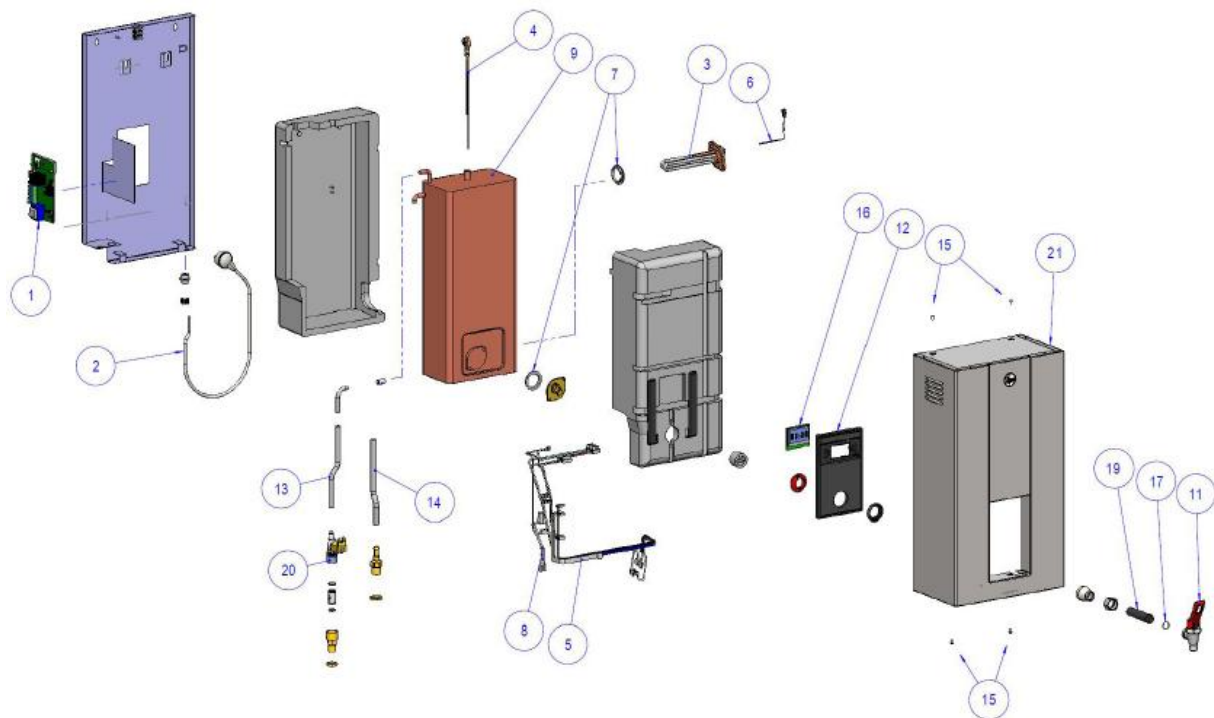


Item	Description	Part N°	Item	Description	Part N°	
1	Controller & Heatsink	317159	15	Jacket fixing screws x 4	315994	
2	Cord set	315880	16	Electronic Timer	316963	
3	Element 1.8kW 3L	317164	17	Tube Spout Teflon	319028	
	Element 2.4kW 5L	315881		18	Tube 13mm Silicone Kit	319027
4	Probe Assy Hi/Lo	312029		19	Fascia Screws x 2 kit	317831
5	Ribbon Connector Timer	317167			20	Valve Solenoid Assy 240Vac 0.5l/min
6	Thermistor Short 150mm	310537	21	Jacket 3L White	319011	
7	Gasket Silicone (Pack 5)	012142		Jacket 5L White	319012	
8	Loom Wiring 3 & 5L	318122		Jacket 3L Stainless Steel	319013	
				Jacket 5L	319014	
9	Tank 3L	318027	22	Plinth 3 L 701/ 703 Series Black	317927	
	Tank 5L	318028		Plinth 5 L 701/ 703 Series Black	317928	
11	Upper Tap assembly	319008	n/s	Heat Sink Compound (10g Tube)	317696	
12	Fascia Panel assembly	319009		Seal Tap	310556	
13	Tube 8mm Silicone Kit (1.4m)	316264				
14	Spout assembly	319010				

Rheem Spare Parts Manual

Lazer Commercial 702 series 7.5L - 40L

Launched March 2012

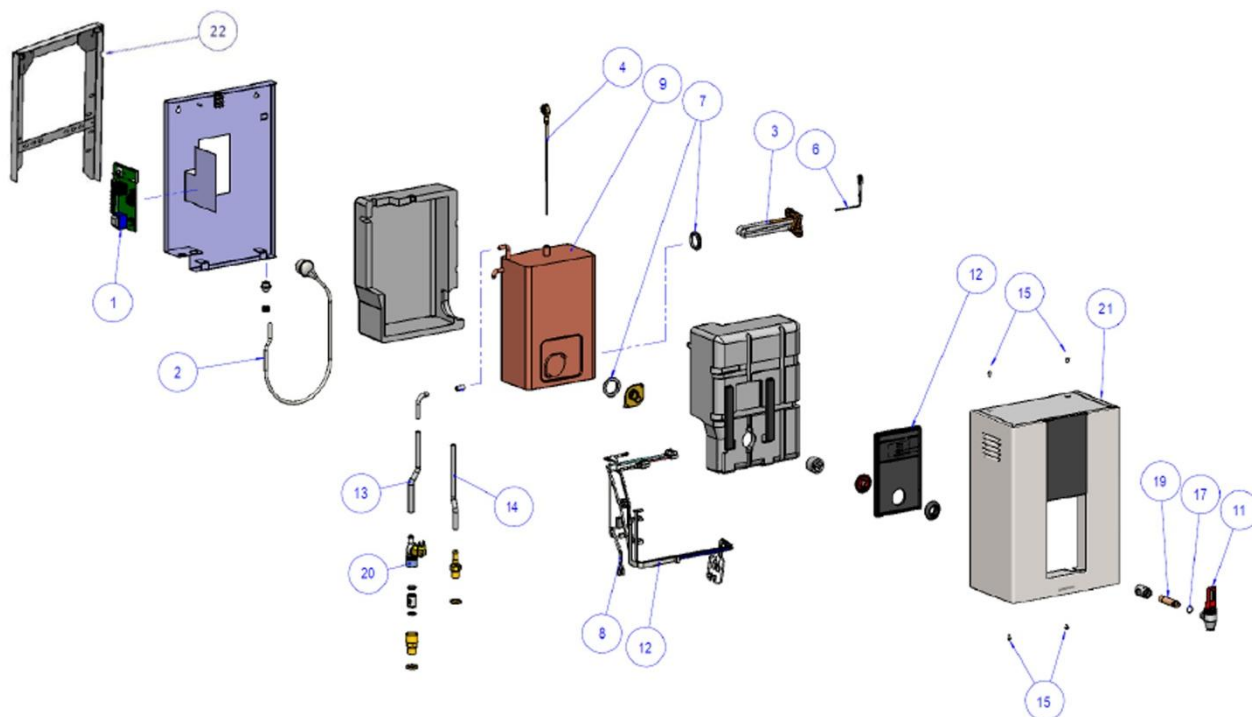


Item	Description	Part N°	Item	Description	Part N°
1	Controller & Heatsink 7.5L - 15L	317159	13	Tube 8mm Silicone Kit (1.4m)	316264
	Controller & Heatsink 25L & 40L	317190	14	Tube 13mm Silicone Kit vent (1.0m)	319027
2	Cord set 7.5L - 15L	315880	15	Jacket fixing screws x 4	315994
3	Element 2.4kW 7.5L - 15L	315881	16	Electronic Timer	316963
	Element 3.6kW 25L	319007	17	O-Ring Tap (114)	310497
	Element 4.6kW 40L	315884	19	Tap Extension	317821
4	Probe Assy Hi/Lo	312029	20	Valve Solenoid Assy 7.5L – 10L models 240Vac 0.5l/min	318261
5	Ribbon Connector Timer	316955		Valve Solenoid Assy 15L – 40L Models 240Vac 2.5l/min	318262
6	Thermistor Short 150mm	310537	21	Jacket 7.5L White	319016
7	Gasket Silicone (Pack 5)	012142		Jacket 10L White	319017
8	Loom Wiring 7.5L	318123		Jacket 15L White	319018
	Loom Wiring 10L	318124		Jacket 25L White	319019
	Loom Wiring 15L	318123		Jacket 40L White	319020
	Loom Wiring 25 & 40L	318125		Jacket 7.5L Stainless Steel	319021
	Tank 7.5L	318029		Jacket 10L Stainless Steel	319022
9	Tank 10L	318030		Jacket 15L Stainless Steel	319023
	Tank 15L	318031		Jacket 25L Stainless Steel	319024
	Tank 25L	318032		Jacket 40L Stainless Steel	319025
	Tank 40L	318033			
11	Tap assembly	317804	n/s	Seal Tap	310556
12	Fascia Panel (incl spring)	319015	n/s	Heat Sink Compound (10g Tube)	317696

Rheem Spare Parts Manual

Lazer Economy 703 series 3 - 7.5L

Launched March 2012

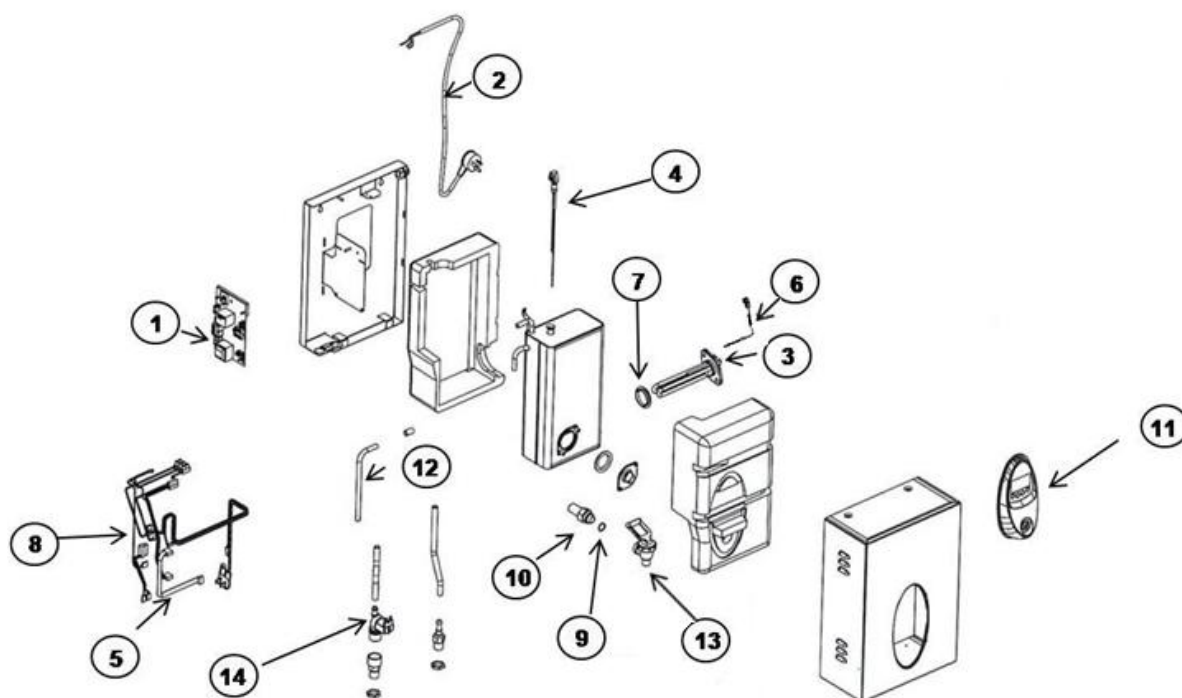


Item	Description	Part N°	Item	Description	Part N°	
1	Controller & Heatsink	318263	13	Tube 8mm Silicone Kit (1.4m)	316264	
2	Cord set	315880	14	Tube 13mm Silicone Kit vent (1.0m)	319027	
3	Element 3L 1.8kW	317164	15	Jacket fixing screws x 4	315994	
	Element 5L & 7.5L 2.4 kW	315881		17	O-Ring Tap (112)	317863
4	Probe Assy Hi/Lo	312029	19	Tap Extension Brass	317842	
6	Thermistor Short 150mm	310537	20	Valve Solenoid Assy 240Vac 0.5l/min	318261	
7	Gasket Silicone	012142		21	Jacket 3L White	318155
8	Loom Wiring 3L & 5L	318122			Jacket 5L White	318156
	Loom Wiring 7.5L	318123	Jacket 7.5L White		318157	
9	Tank 3L	318000	22	Plinth 3 L 701/ 703 Series Black	317927	
	Tank 5L	318001		Plinth 5 L 701/ 703 Series Black	317928	
	Tank 7.5L	318002	n/s	Heat Sink Compound (10g Tube)	317696	
11	Tap assembly	317807		Seal Tap 703 series	319030	
12	Eco Keypad & Fascia panel assembly inc. Loom & spring	318084				

Rheem Spare Parts Manual

Lazer Classic Timer 710/720 series 3L

Launched July 2007

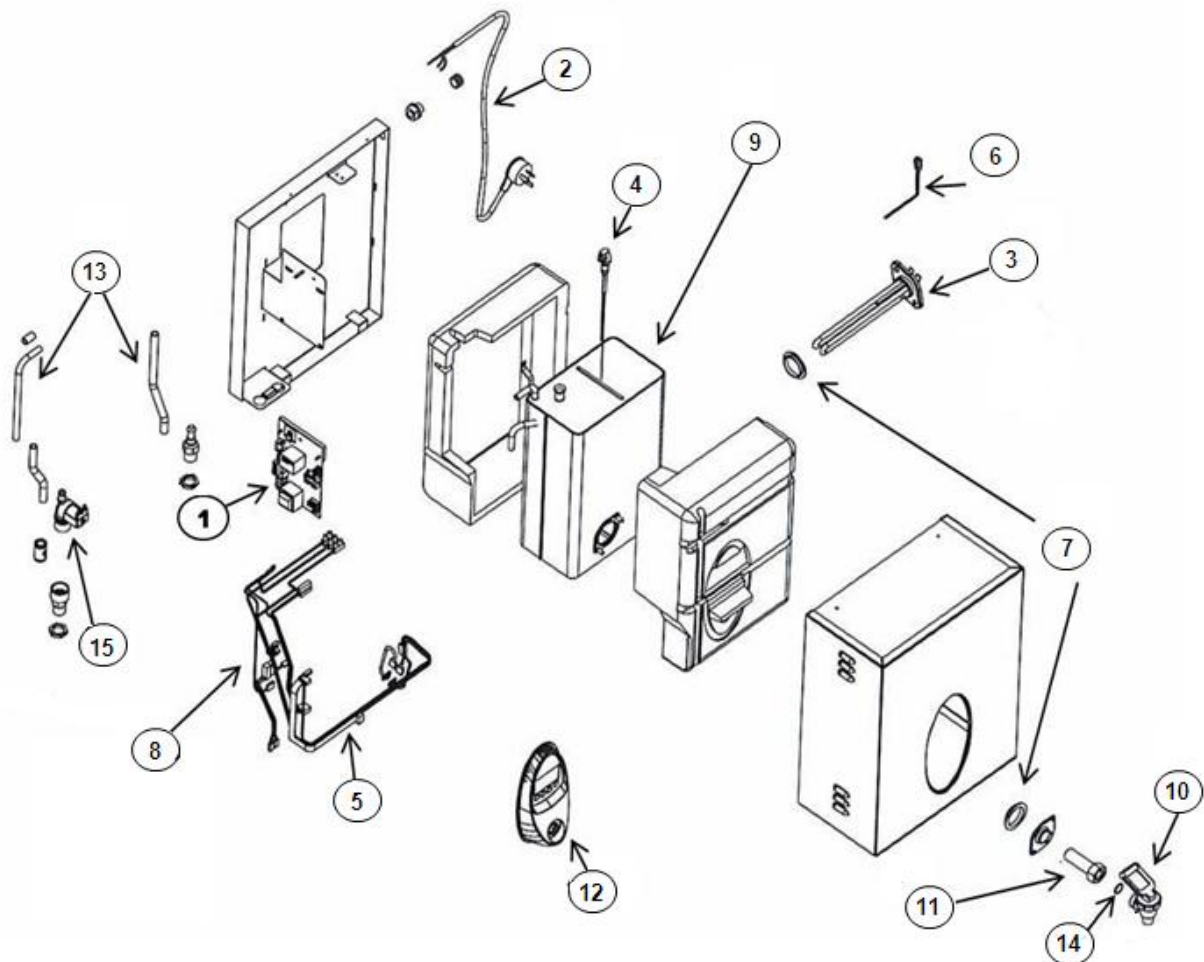


Item	Part No.	Description
1	317159	Controller
2	315880	Cord set
3	317164	Element kit 1.8kW
4	312029	High/low probe
5	317167	Timer/controller ribbon connector
6	310537	Thermistor 150mm (heat sink compound recommended)
7	012142	Silicone gasket (5 pk)
8	316925	Wiring loom
9	310497	O-ring (114)
10	317165	Tap extension kit 77mm
11	317166	Timer and fascia assembly
12	315839	Silicone tube kit
13	10499	Tap Assembly
14	318209	Solenoid valve 240Vac 0.5l/min
N/S	317696	Heat sink compound for thermistor (10g Tube)
	316860	Front jacket
	10556	Thomlinson tap seal

Rheem Spare Parts Manual

Lazer Classic Timer 710/720 series 5 – 10L

Launched July 2007

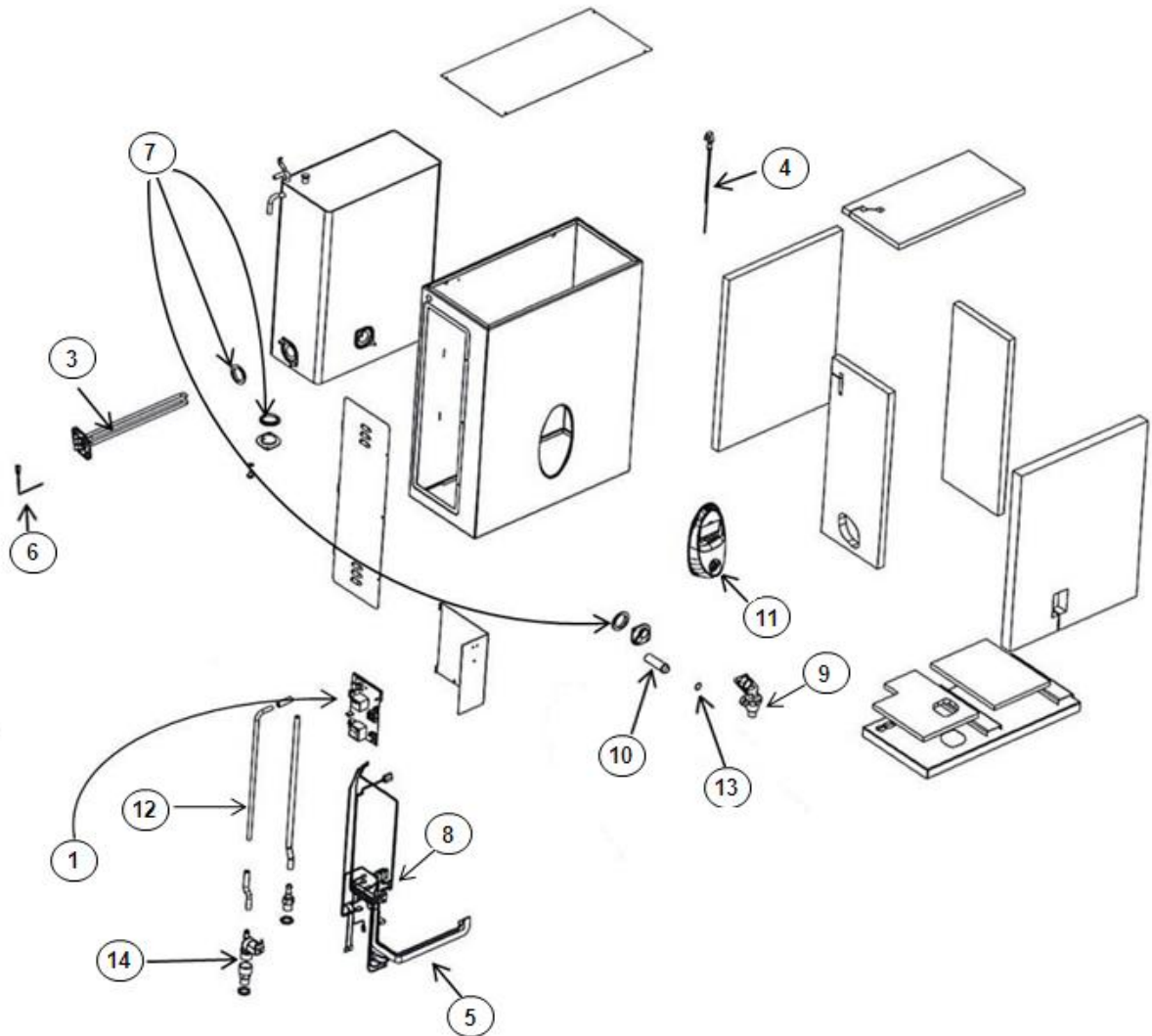


Item	Part No.	Description	Item	Part No.	Description	
1	317159	Controller	10	10499	Tap Assembly	
2	315880	Cord set	11	317165	Tap extension kit 77mm	
3	315881	Element kit 2.4kW	12	317166	Timer and fascia assembly	
4	312029	High/low probe	13	315839	Silicone tube kit	
5	317167	Timer/controller ribbon connector	14	310497	O-RING (114)	
6	310537	Thermistor 150 mm (heat sink compound recommended)	15	318209	Solenoid valve 240Vac 0.5l/min	
7	012142	Silicone gasket (pack 5)		317696	Heat sink compound (10g tube)	
8	316925	Wiring loom 3-5 L	N/S	316861	Front jacket powder coated 5L	
	316926	Wiring loom 7.5L		316862	Front jacket powder coated 7.5L	
	316927	Wiring loom 10L		316863	Front jacket powder coated 10L	
				316973	Front jacket stainless steel 7.5L	
9	317170	Tank and insulation 5L			316974	Front jacket stainless steel 10L
	317171	Tank and insulation 7.5L			10556	Thomlinson tap seal
	317172	Tank and insulation 10L				

Rheem Spare Parts Manual

Lazer Classic Timer 710/720 series 15 - 40L

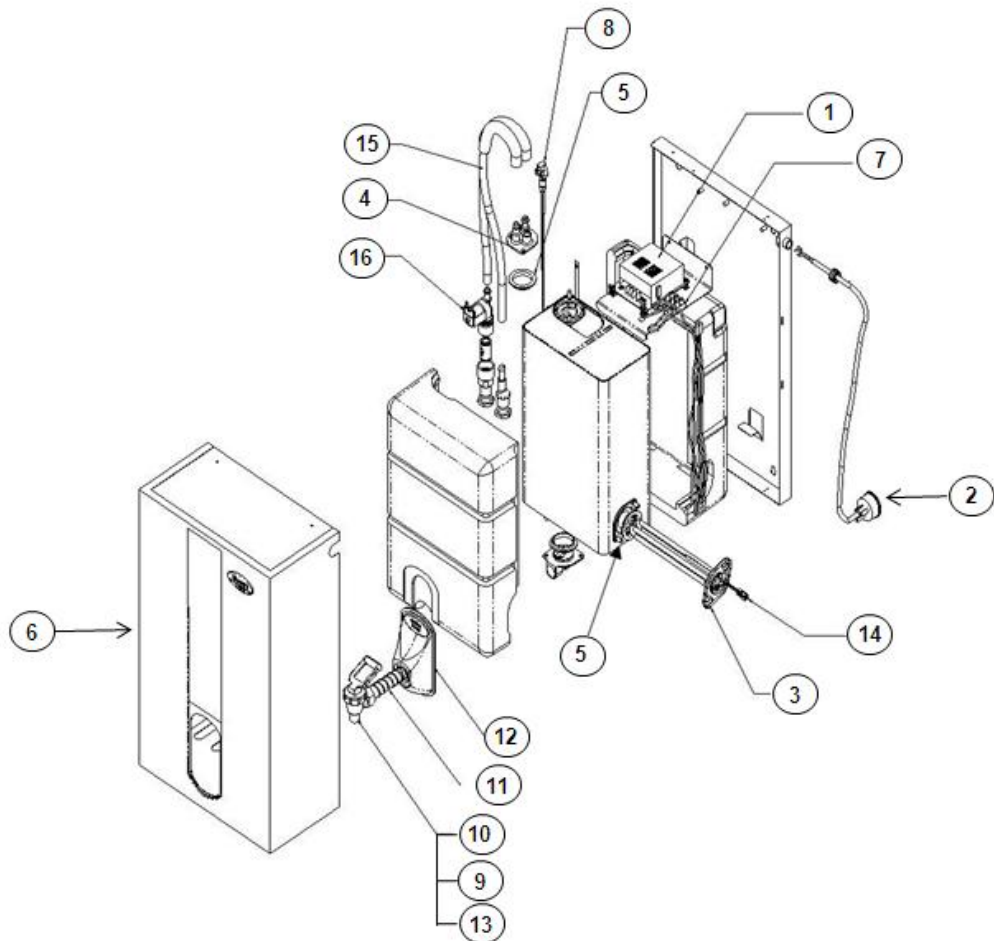
Launched July 2007



Item	Part No.	Description	Item	Part No.	Description
1	317159	Controller 15L	9	10499	Tap Assembly
	317190	Controller 25-40L	10	316198	Tap extension kit 91mm
3	315883	Element 3.6kW 25L	11	317166	Timer and fascia assembly
	315884	Element 4.6kW 40L	12	315839	Silicone tube kit
	315882	Element 2.4kW 15L	13	310497	O-Ring (114)
4	312029	High/low probe	14	318210	Solenoid valve 240Vac 2.5l/min
5	317167	Timer/controller ribbon	N/S	317696	Heat sink compound (10g Tube)
6	310537	Thermistor 150mm		316864	Jacket shell powder coated 15L
7	012142	Silicone gasket (5 pk)		316865	Jacket shell powder coated 25L
8	316928	Wiring loom 15L		316866	Jacket shell powder coated 40L
	316929	Wiring loom 25-40L		10556	Thomlinson tap seal (5 pk)

Rheem Spare Parts Manual

Lazer Modular Classic 771 series Auto boiling water unit 2.5 - 7.5L Discontinued 2007

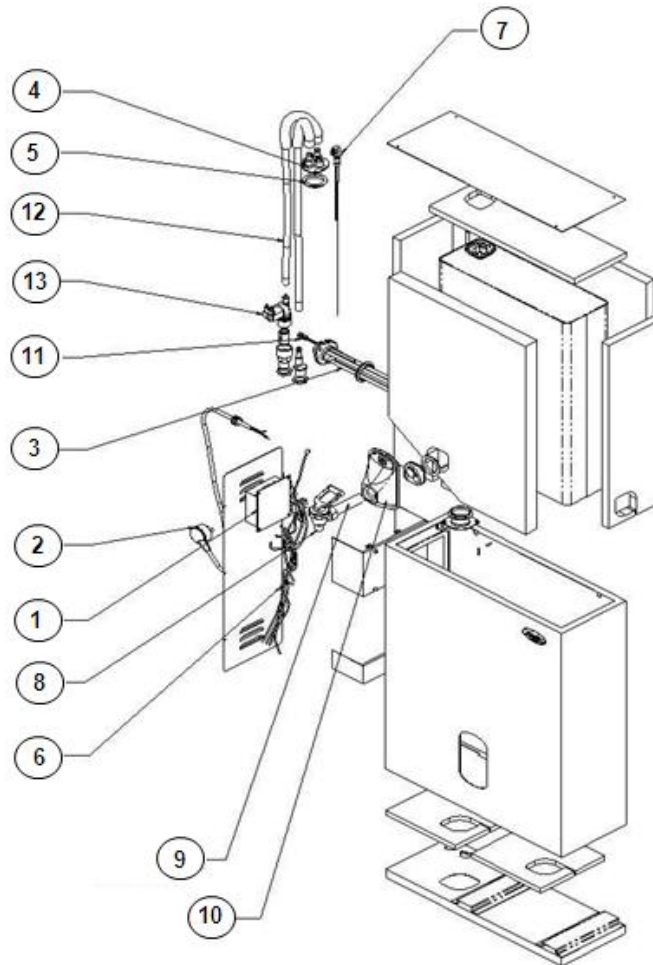


Item	Part No.	Description	Item	Part No.	Description
1	315397	Controller PAL12J 24Vdc	11	316198	Tap extension kit 91mm
2	315880	Cord set 2.5-15L	12	315889	Tap surround and decal
3	315881	Element kit 2.4kW	13	90352	Tomlinson tap head assembly
4	315402	Inlet fitting/vent	14	310537	Thermistor 150 mm (heat sink compound recommended)
5	012142	Silicone gasket (5 pk)	15	315839	Silicone tube kit (2 tubes in kit)
6	316181	Front jacket 5L	16	315879	Solenoid valve 24Vdc with inlet restrictor and non return valve
7	14238	Wiring loom 2.5L	N/S	10470	Inlet filter
	14239	Wiring loom 5L		90269	High/low probe nut
	14240	Wiring loom 7.5L		90277	High/low probe O-ring (10 pk)
8	312029	High/low probe		317696	Heat sink compound (10g tube)
9	10556	Thomlinson tap seal (5pk)			
10	10499	Tap and O-ring			

Rheem Spare Parts Manual

Lazer Modular Classic 771 series Auto boiling water unit 15 - 40L

Discontinued July 2007

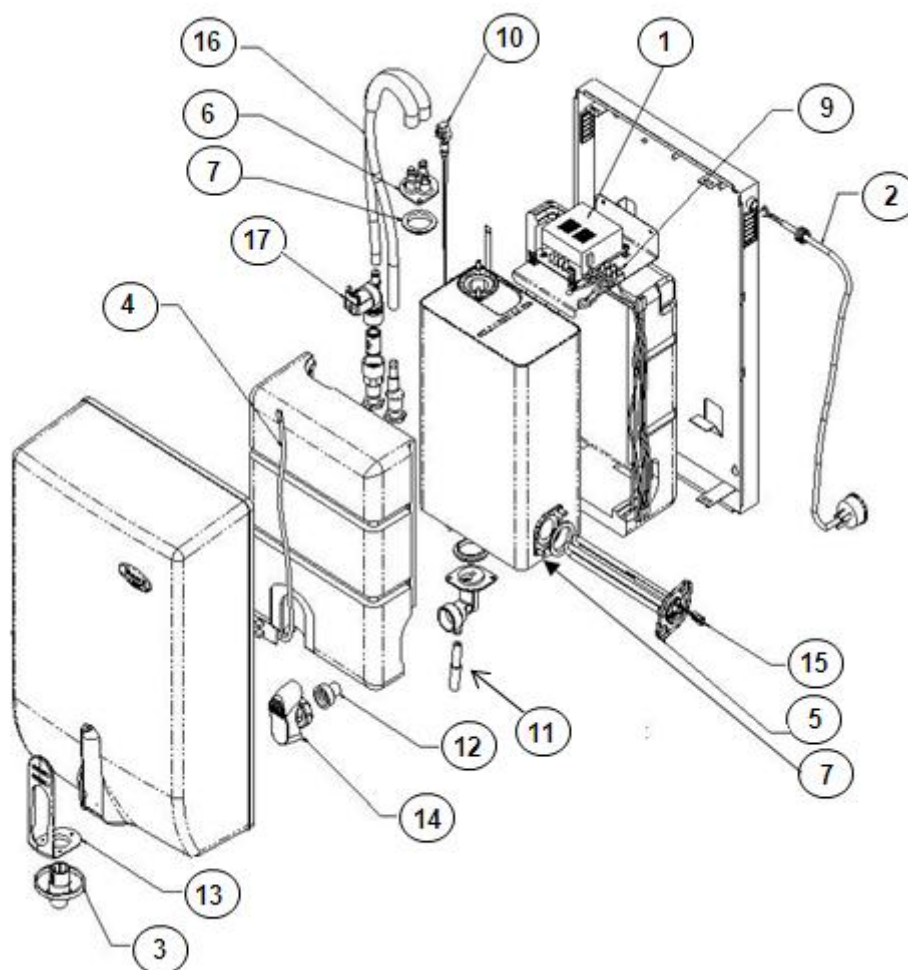


Item	Part No.	Description	Item	Part No.	Description
1	315397	Controller PAL12J 24Vdc	9	316198	Tap extension kit 91mm
2	315880	Cord set 2.5 -15L	10	315889	Tap surround & badge
3	315882	Element 2.4kW 15L	11	310537	Thermistor 150mm (heat sink compound)
	315883	Element 3.6kW 25L	12	315839	Silicone tube kit
	315884	Element 4.6kW 40L	13	315879	Solenoid valve 24Vdc with inlet restrictor and non return valve
4	315402	Inlet fitting/vent			
5	012142	Silicone gasket (5 pk)	N/S	10470	Inlet filter
6	315392	Wiring loom 15L		90277	High/low probe O-ring (10 pk)
	315395	Wiring loom 25L		317696	Heat sink compound (10g tube)
	315872	Wiring loom 40L		10556	Thomlinson tap Seal (Pack 5)
7	312029	High/low probe		10465	Relay 25L
8	10499	Tap assembly		10771	Relay 40L
				310497	O-ring (114)

Rheem Spare Parts Manual

Lazer Modular Designer 791 series Auto boiling water unit 2.5 - 7.5L

Discontinued August 2007

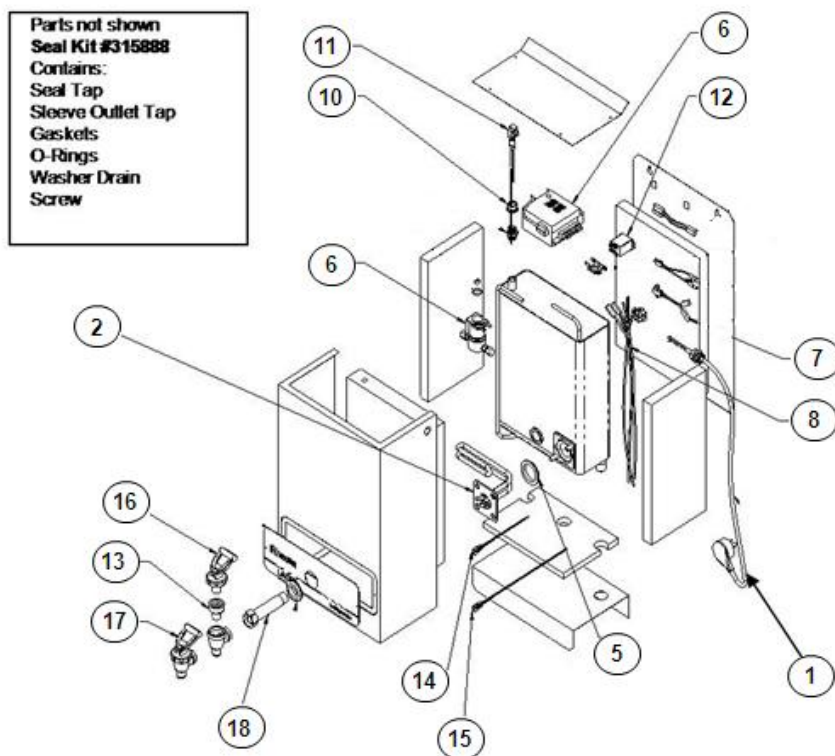


Item	Part No.	Description	Item	Part No.	Description
1	315397	Controller PAL12J 24Vdc	10	312029	High/low probe
2	315880	Cord set 2.5 – 15L	11	314183	Tap outlet sleeve (5 pk)
3	314188	Tap spout cover	12	10556	Thomlinson tap seal (5 pk)
4	310741	PCB display	13	13764	Tap surround
5	315881	Element kit 2.4kW	14	14131	Tap head
6	315402	Inlet fitting/vent	15	310537	Thermistor 150mm (heat sink compound recommended)
7	012142	Silicone gasket (5 pk)	16	315839	Silicone tube kit
9	14238	Wiring loom 2.5L	17	315879	Solenoid valve 24V D/C with inlet restrictor and non return valve
	14239	Wiring loom 5L	N/S	317696	Heat sink compound (10g)
	14240	Wiring loom 7.5L		315888	Seal Kit

Rheem Spare Parts Manual

Lazer classic 711 series Auto boiling water unit

Discontinued April 1999



Item	Part No.	Description	Item	Part No.	Description
1	315880	Cord set 2.5 -15L	8	10770	Wiring loom 40L
2	12329	Element 2.4kW short bent (post1993)	8	10503	Wiring loom 50L
	14521	Element 3.6kW thermistor & gasket short bent 25 – 50L (post May 1993)		10	90269
	14515	Element 4.6kW thermistor & gasket 40L (post May 1993)	11	312029	High/low probe
	15258	Element 2.4kW long thermistor & gasket (post September 1992)	12	10465	Relay 25L
	15259	Element 3.6kW thermistor & gasket long (pre September 1992)		10771	Relay 40L
5	012142	Silicone gasket Lazer (5 pk)		14461	Relay 50L (pre May 1993)
6	316580	24Vdc Lazer replacement solenoid & ECB upgrade kit	13	10556	Thomlinson tap seal (5 pk)
	316682	Replacement 24Vdc solenoid. Use this part when kit 316580 has been fitted.	14	310537	Thermistor 150mm (heat sink compound recommended)
7	15685	Lead suit probe/controller (pre May 1993)	15	10535	Thermistor 270mm (heat sink compound recommended) (pre 05/1993)
8	10474	Wiring loom 2.5L	16	90352	Tap-head (Tomlinson)
	14239	Wiring loom 5L	17	10499	Tap and O-ring
	10419	Wiring loom 25L	18	OBSOLETE	Tap extension kit (chrome)

Rheem Spare Parts Manual

Lazer Designer 761 series Auto boiling water unit

Discontinued April 1999

**Plastic Solenoid only
replacement kit
#316682**

Parts Not Shown:

Seal Kit #315888

Contains:

Seal Tap

Sleeve Outlet Tap

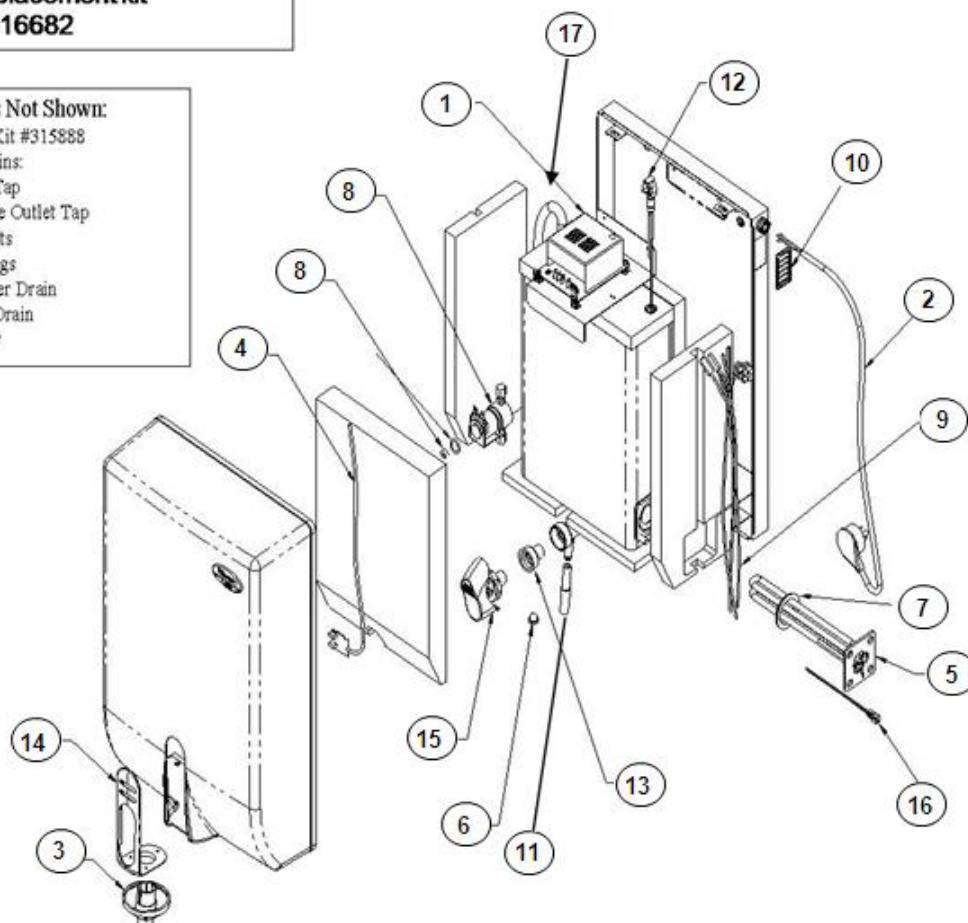
Gaskets

O-Rings

Washer Drain

Seal Drain

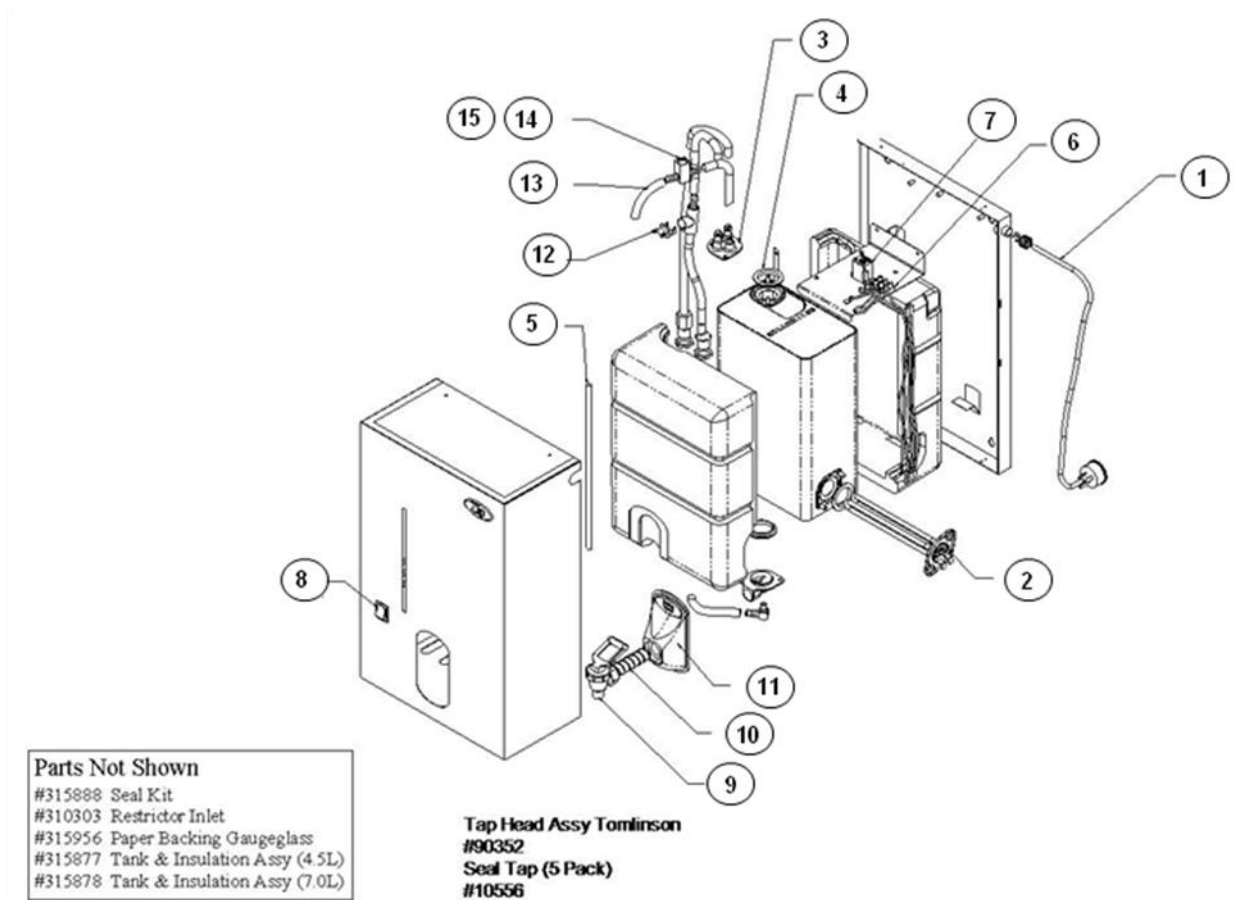
Screw



Item	Part No.	Description	Item	Part No.	Description
1	315397	Controller PAL12J 24Vdc	9	12423	Wiring loom 7.5L
2	315880	Cord set 2.5 – 15L	10	10723	Cabinet louvre
3	314188	Tap spout cover	11	314183	Tap outlet sleeve (5 pk)
4	310741	PCB display	12	312029	High/low probe
5	12369	Element 2.4kW	13	10556	Tomlinson tap seal (5 pk)
6	10470	Inlet filter	14	13764	Tap surround
7	012142	Silicone gasket (5 pk)	15	14131	Tap head
8	316580	Solenoid 24Vdc and ECB upgrade kit	16	310537	Thermistor 150mm (heat sink compound recommended)
	316682	Replacement 24Vdc solenoid. Use this part when kit 316580 has been fitted.	17	315839	Silicone tube kit
9	10740	Wiring loom 2.5L	N/S	317696	Heat sink compound (10g)
	12422	Wiring loom 5L			

Rheem Spare Parts Manual

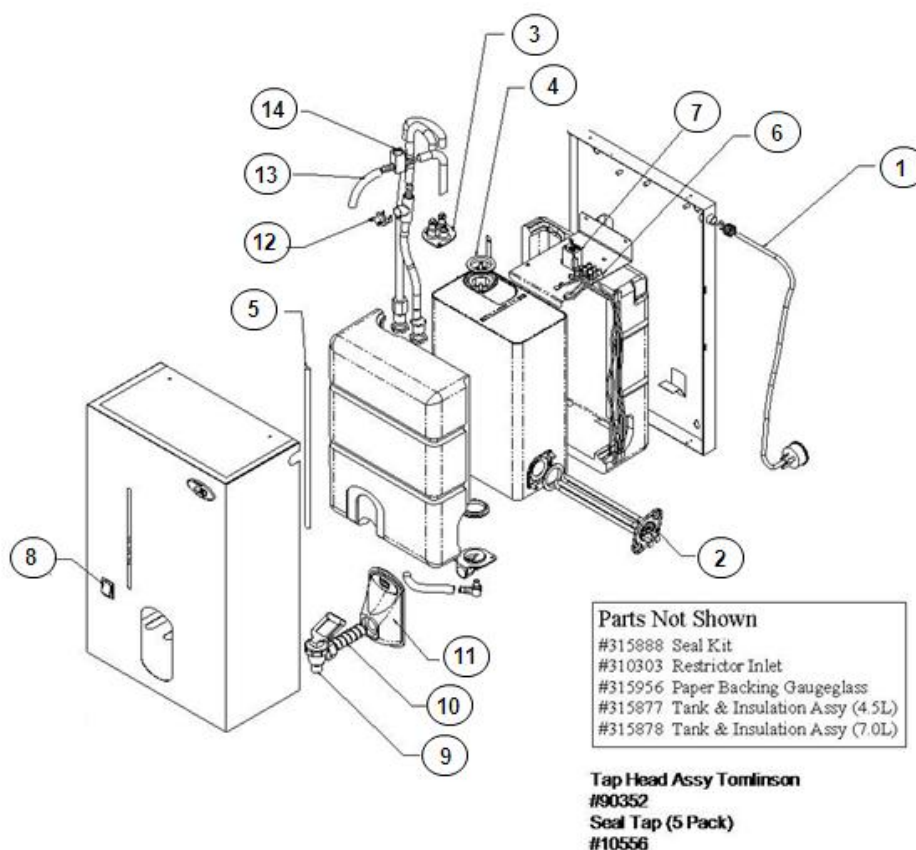
Zip 832 Series Manual boiling water unit 4.5 – 7L



Item	Part No.	Description	Item	Part No.	Description
1	315880	Cord set	8	14252	Start switch (post March 1996)
2	316017	Element 2.4kW and gasket	9	10499	Tap and O-ring
3	315402	Inlet/vent fitting	10	316198	Tap extension kit 91mm
4	012142	Silicone gasket (5 pk)		317610	Tap extension kit 77mm (post March 2009)
5	90124	Gauge glass 9 x 330mm	11	315889	Tap surround and badge
	90126	Gauge glass 9 x 425mm	12	316016	Thermodisc and O-ring
	317603	Gauge glass 270mm (post March 2009)	13	315839	Silicone tube kit
	317609	Gauge glass 340mm (post March 2009)	14	316015	Anti siphon valve kit (pre Feb 2009)
6	315949	Wiring loom 4.5 -7.0L	15	317608	Anti siphon valve kit (post Feb 2009)
7	10316	Relay			

Rheem Spare Parts Manual

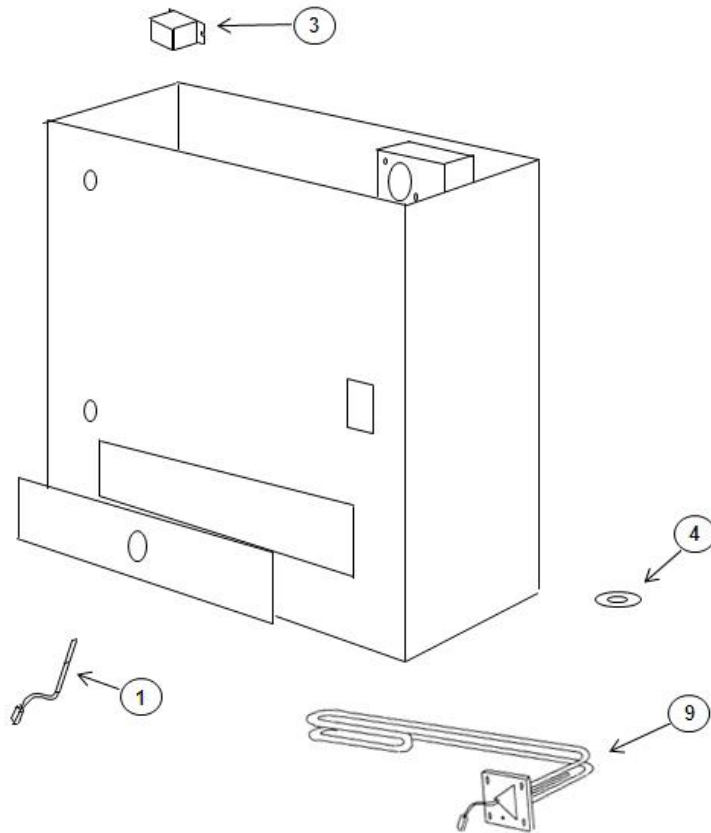
Zip 832 Series Manual boiling water unit 15 – 34L



Item	Part No.	Description
1	315880	Cord set
2	316017	Element 2.4kW and gasket
3	315402	Inlet fitting/vent
4	312142	Silicone gasket (5 pk)
5	90127	Gauge glass 477mm
6	315958	Wiring loom 15 -34L
7	10316	Relay
8	14252	Start switch (post 1996)
9	10499	Tap and O-ring
10	316198	Tap extension kit 91mm
	317610	Tap extension kit 77mm (post March 2009)
11	316016	Thermodisc and O-ring
12	315839	Silicone tube
13	316015	Anti siphon valve
14	317608	Anti siphon valve (post March 2009)
N/S	OBSOLETE	Gauge glass O-ring (5 pk)
	315888	Seal Kit
	310303	Restrictor Inlet

Rheem Spare Parts Manual

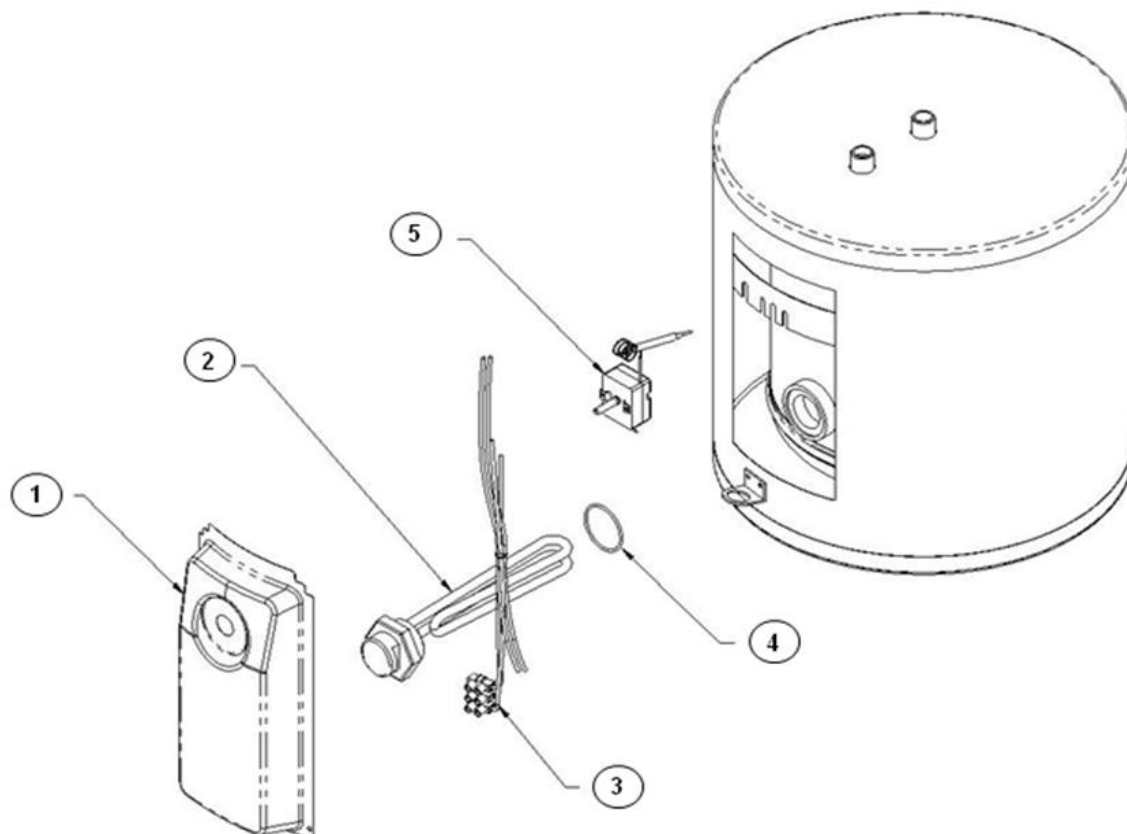
Zip ZP Series Manual boiling water unit Discontinued 1998



Item	Part No.	Description	Item	Part No.	Description
1	13683	Thermal fuse			Tomlinson tap head (locking)
3	10316	Relay		90217	Washer and gasket kit
4	310303	Inlet restrictor		15751	Knob & nut kit
9	14256	Element 2.4kW with thermal fuse and gasket		90082	Element 2.3kW hexagonal boss
N/S	990434	Gauge glass O-ring (10 pk)	N/S	315403	Tap body
	90350	Tap extension kit (chrome)		90078	Element 2.3kW forged boss
	90224	Solenoid valve kit		90083	Element 2.3kW pressed boss
	14521	Element 3.6kW thermistor and gasket		90234	Reset lever (suit steam switch)
	14515	Element 4.6kW thermistor and gasket		12329	Element 2.4kW (short thermistor)
	15259	Element 3.6kW thermistor and gasket (long)		15258	Element 2.4kW (long thermistor)
	90342	3 way tap			

Rheem Spare Parts Manual

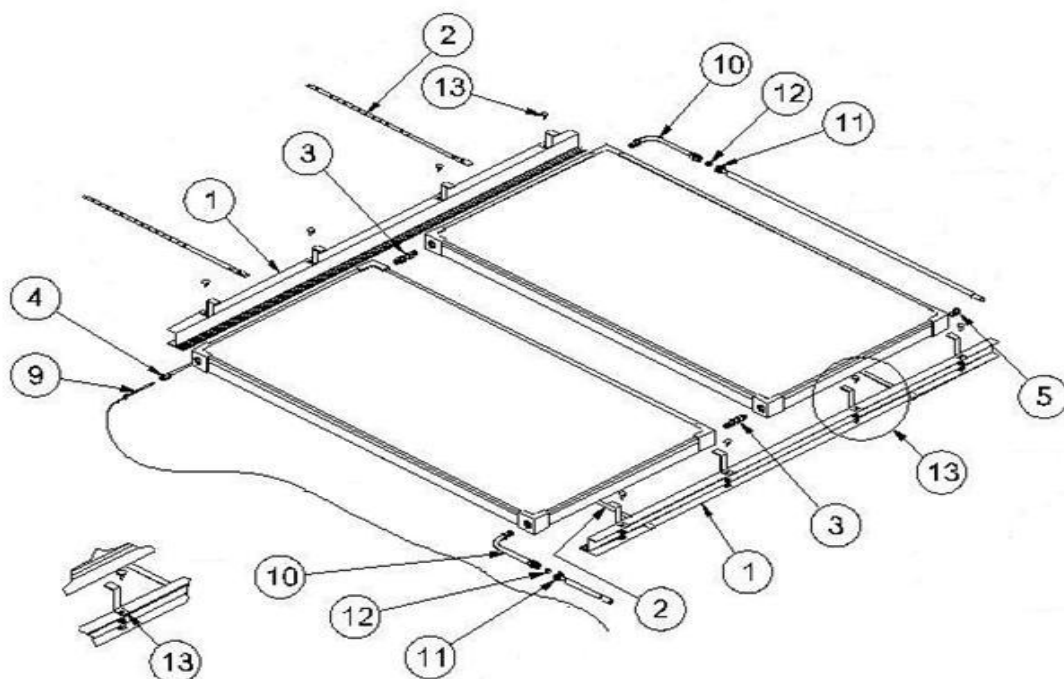
Zip/ Rheem Beta Series Low Pressure Under Bench Discontinued July 2005



Item	Part No.	Description
1	314165	Element cover deep
2	14317	Element 2.0kW nickel plated
3	13197	Wiring loom
4	10908	Element O-ring
5	10189	Thermostat

Rheem Spare Parts Manual

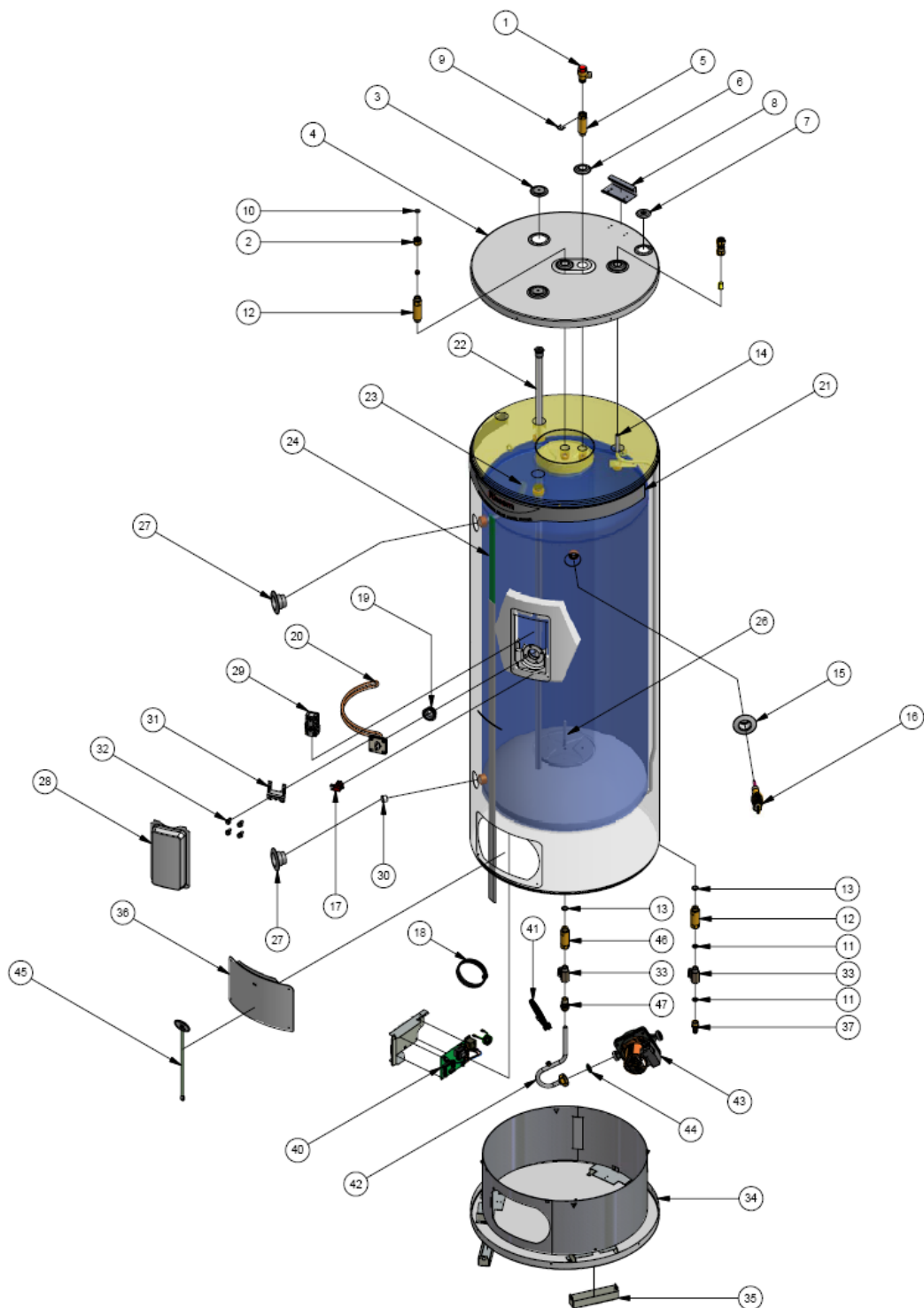
Premier solar lo-line T200 panels



Item	Part No.	Description
1	331847	Collector rail
2	330847	Collector strap
3	337121	Collector joiner union
4	340440	Sensor housing
5	337135	End plug
9	346080	Hot sensor thermistor
10	340450	Connector pipe
11	827355	Connector nut
12	827255	Connector olive
13	331928	Collector rail clamp
N/S	317555	Glycol top up (4.5L)

Rheem Spare Parts Manual

A59127007 Solar premier lo-line cylinder



Rheem Spare Parts Manual

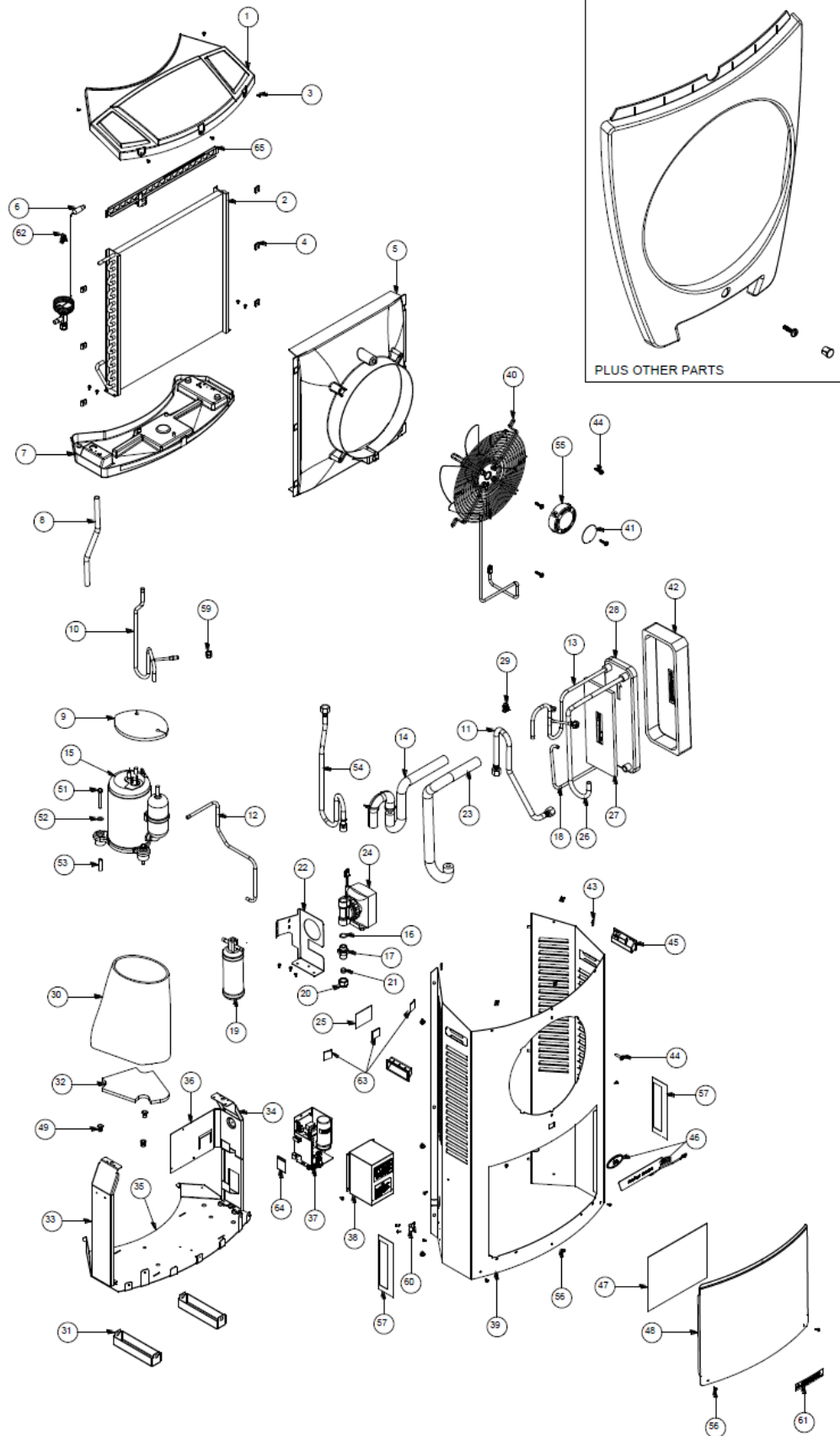
A59127007 Solar premier lo-line cylinder

Item	Part No.	Description	Item	Part No.	Description
1	088077	Caleffi relief valve	22	222024	Anode (green) 1153mm
3	221229	Anode cover	23	225601	Dip tube hot outlet
4	108370	Jacket top	24	053060	Sensor strip
5	088095	Relief valve fitting	26	220520	Cold inlet strainer
6	221229	Pipe seal	27	221418	Inlet/outlet pipe seal
7	221735	Foam cover	28	103616	Element cover
8	108243	Hand grip	29	051350	R/Shaw T/stat EWT1L2-540
9	088100	Spring clip	31	102501	Thermostat clamp
10	087035	Blanking washer	32	051404	Element bolt
11	080163	Washer	33	088075	Ball valve
12	088092	Extension fitting	34	108377	Jacket base
13	087034	O-ring	35	108107	Foot
15	221420	TPRV seal	36	104635	Pump access cover
16	220641	TPRV THE 523/507 1000kPa ½"	37	088115	Hose tail
17	051507	Terminal block	40	053050	Control board
18	056012	Sensor lead (internal)	41	056006	Sensor
19	050704	Element gasket	42	088080	Cold pipe
20	050210	Element 3.6kW	43	299996	Pump
21	120712	Name Band	44	087033	Cold pipe washer
22	221914	Anode (black) 1153mm	45	052133	LED panel and wiring

Rheem Spare Parts Manual

A180551 - 325i Heat pump module

58 KIT 080200



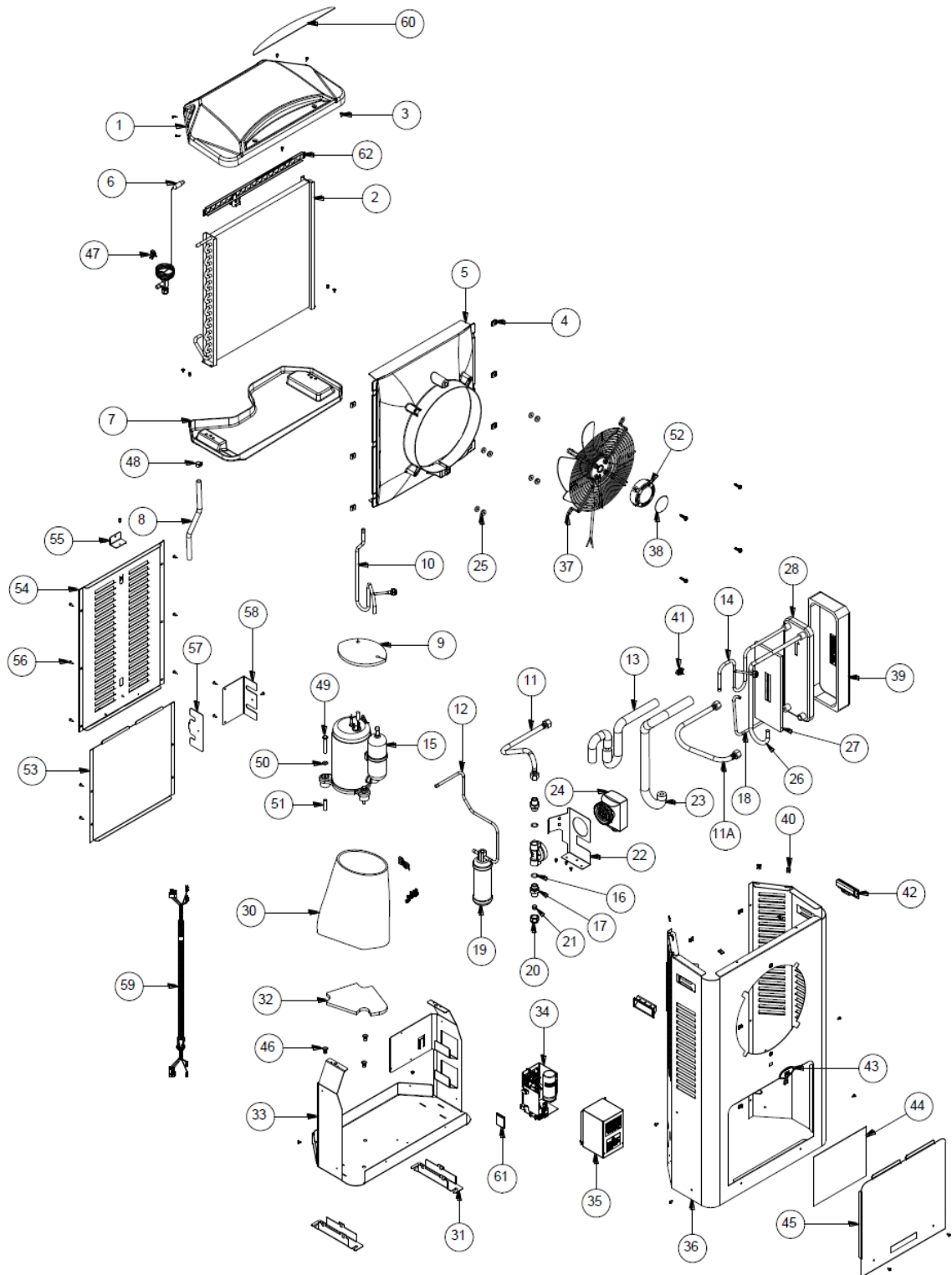
Rheem Spare Parts Manual

A180551 325i Heat pump module

Item	Part Number	Description	Item	Part Number	Description
1	104796	Jacket Top	36	140125	Controller Bracket
2	180034	Evaporator	37	299268	Controller and Wiring Assembly
3	080021	Screw (8 x 3/8") – black	38	051663	Cover – Controller
4	088090	Trim Clip	39	108379*	Jacket – HP Module Pre 19/7/10
5	180052	Fan Shroud	39	109222*	Jacket – HP Module Post 19/7/10
6	180039	TX Valve TDN1	40	299266	Fan and Motor Assembly
7	104795	Drip Tray		053066	Capacitor – Fan Motor
8	220522	Drain Tube (1/2 x 380)	41	120533	Label – Fan Cover
9	090260	Compressor Insulation – Top	42	090249	Insulation Back – Condenser
10	181537	Pipe Assembly – Suction Line	43	080059	Speed Nut
11	088159	Hose – Braided (10 x 600 – 1/2")	44	080201	Screw 13G x 25
12	181540	Pipe – Liquid Line (TX Valve end)	45	080193	Handgrip
13	181538	Pipe Assembly – Discharge Line	46	052157	Operating Status LED
14	180046	Insulation – Discharge Line (compressor to tee)	47	090259	Insulation – Access Panel
	180047	Insulation – Discharge Line (tee to condenser)	48	051662	Access Panel
15	180036	Compressor – RE135VHSMT	49	080190	Nutsert M8 (requires chassis)
	053067	Capacitor – Compressor 25µF	51	080185	Bolt – Hex M8 x 60
16	087032	O-Ring BS115 17.12ID x 2.62	52	080136	Washer – M8 x 21
17	088043	Fitting – Nipple 1/2" x 1/2"	53	080133	Spacer – Compressor Stud
18	181539	Pipe – Liquid line (Condenser end)	54	088154	Hose – Braided (10 x 700 – 1/2")
19	181544	Receiver Filter / Drier	55	104794	Fan Cover
20	088119	Nut – Compression 1/2"	56	080118	Screw (8 x 3/8")
21	088027	Olive – Compression 1/2"	57	120516	Rating Label
22	108279	Bracket – Circulator	58	n/a-	Dress Cover Kit
23	180048	Insulation – Pipe (condenser to circulator)	59	181012	Service Valve Cap Nut
24	290121	Grundfos circulator kit	60	052165	Saddle Clamp
25	052136	Neoprene Seal	62	056023	Sensor – Evaporator
26	088142	Pipe – Water (condenser to circulator)		056022	Evaporator Sensor Clip
27	090250	Insulation Front – Condenser	63	080221	Cable Tie Mount
28	180035	Condenser	64	056039	Service Reset Cable Kit
29	056002	Sensor – Compressor	65	144843	Pipe Brace – Field Fix
30	090257	Compressor Insulation - Jacket	Not shown	051660	Compressor Wiring Assembly
31	108107	Foot		080189	Spring Clamp – Drain Hose
32	090258	Compressor Insulation - Bottom		181008	Core - Access Valve
33	140123	Chassis – Left Side		181010	Sealing Washer - Access Valve
34	140124	Chassis – Right Side		181011	Access Valve Schrader 1/4" Tail
35	140122	Chassis – Base		080156	Module Fastener Kit

Rheem Spare Parts Manual

A180561 - 325s Heat pump module



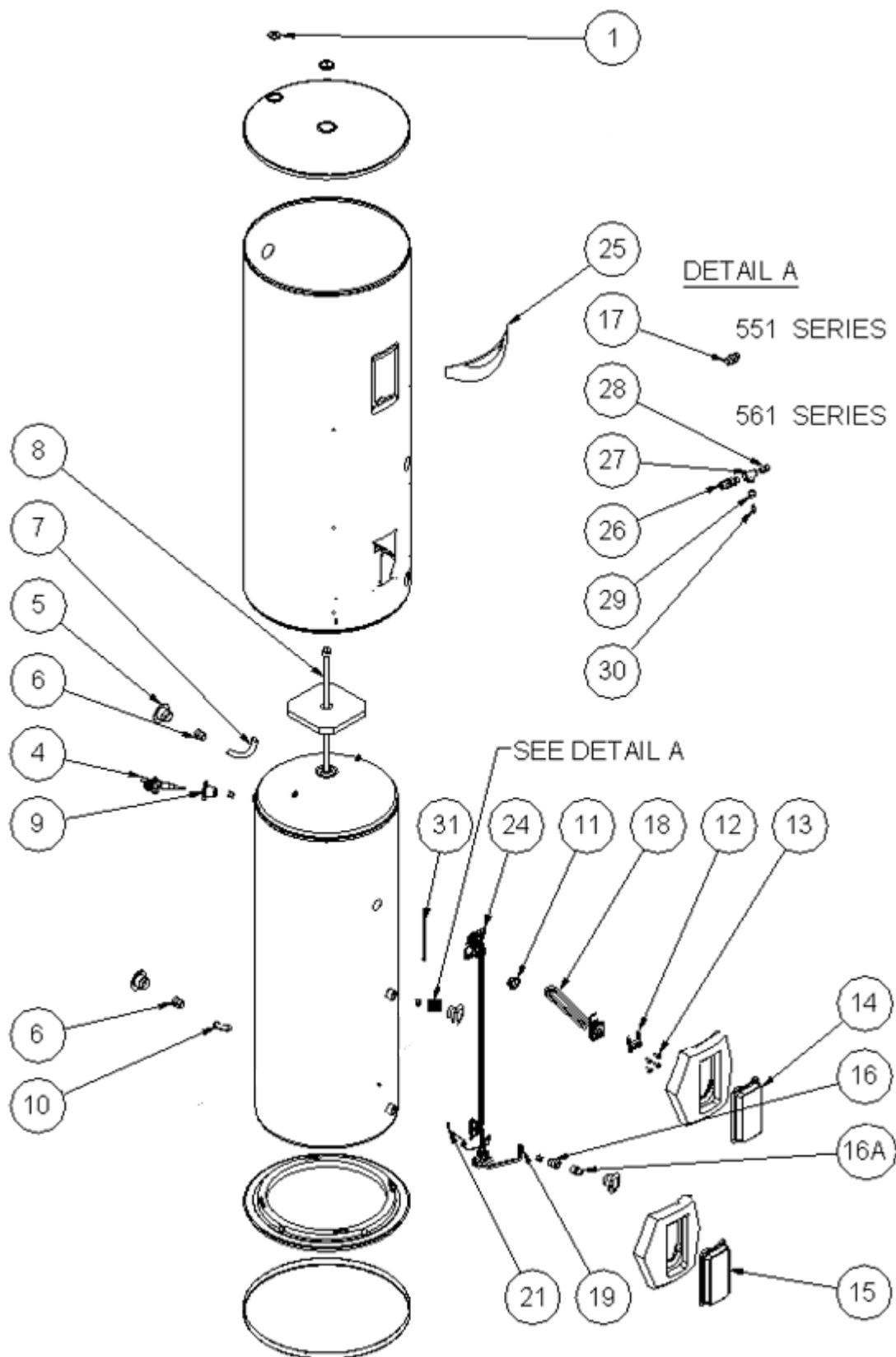
Rheem Spare Parts Manual

A180561 - 325s Heat pump module

Item	Part No.	Description	Item	Part No.	Description
1	104778	Jacket Top	34	299269	Controller and Wiring Assembly
2	180034	Evaporator	35	051663	Cover – Controller
3	080118	Screw (8 x $\frac{3}{8}$ ")	36	108391	Jacket – HP Module
4	088090	Trim Clip	37	299266	Fan and Motor Assembly
5	180052	Fan Shroud		053066	Capacitor – Fan Motor
6	180039	TX Valve TDN1	38	120533	Label Rheem – Fan Cover
7	104779	Drip Tray	39	090249	Insulation Back – Condenser
8	220522	Drain Tube ($\frac{1}{2}$ x 380)	40	080059	Speed Nut
9	090260	Compressor Insulation – Top	41	056002	Sensor – Compressor
10	181537	Pipe Assembly – Suction Line	42	080193	Handgrip
11	088177	Hose – Braided (10 x 600 – $\frac{1}{2}$ ") Red	43	052157	Operating Status LED
11A	088178	Hose – Braided (10 x 600 – $\frac{1}{2}$ ") Blue	44	090259	Insulation – Access Panel
12	181540	Pipe – Liquid Line (TX Valve end)	45	051666	Access Panel
13	180046	Insulation – Discharge Line (compressor to tee)	46	140121	Nutsert M8 (requires chassis)
	180047	Insulation – Discharge Line (tee to condenser)	47	056023	Sensor – Evaporator
14	181538	Pipe Assembly – Discharge Line		056022	Evaporator Sensor Clip
15	180036	Compressor – RE135VHSMT	48	080189	Spring Clamp – Drain Hose
	053067	Capacitor – Compressor 25 μ F	49	080185	Bolt – Hex M8 x 60
16	087032	O-Ring BS115 17.12ID x 2.62	50	080136	Washer – M8 x 21
17	088043	Fitting – Nipple $\frac{1}{2}$ " x $\frac{1}{2}$ "	51	080133	Spacer – Compressor Stud
18	181539	Pipe – Liquid line (Condenser end)	52	104794	Fan Cover
19	181544	Receiver Filter/Drier	53	108396	Panel – Rear Lower
20	088119	Nut – Compression $\frac{1}{2}$ "	54	108395	Panel – Rear Upper
21	088027	Olive – Compression $\frac{1}{2}$ "	55	108399	Wall Bracket
22	108279	Bracket – Circulator	56	052160	Clamp - Conduit
23	180048	Insulation – Pipe (condenser to circulator)	57	108393	Bracket – Hose Clamp
24	290121	Grundfos circulator kit	58	108392	Bracket – Hose Mount
25	087039	Fan Grille Spacer – Rubber	59	052159	Cable Set (5 metre)
26	088142	Pipe – Water (condenser to circulator)	60	120732	Label – Top Housing (Rheem)
27	090250	Insulation Front – Condenser	61	120732	Service Reset Cable Kit
28	180035	Condenser	62	056039	Pipe Brace – Field Fix
30	090257	Compressor Insulation - Jacket		144843	Core - Access Valve
31	108394	Foot		181008	Sealing Washer - Access Valve
33	140121	Chassis		181010	Access Valve Schrader $\frac{1}{4}$ " Tail

Rheem Spare Parts Manual

A551/561325 Storage cylinder



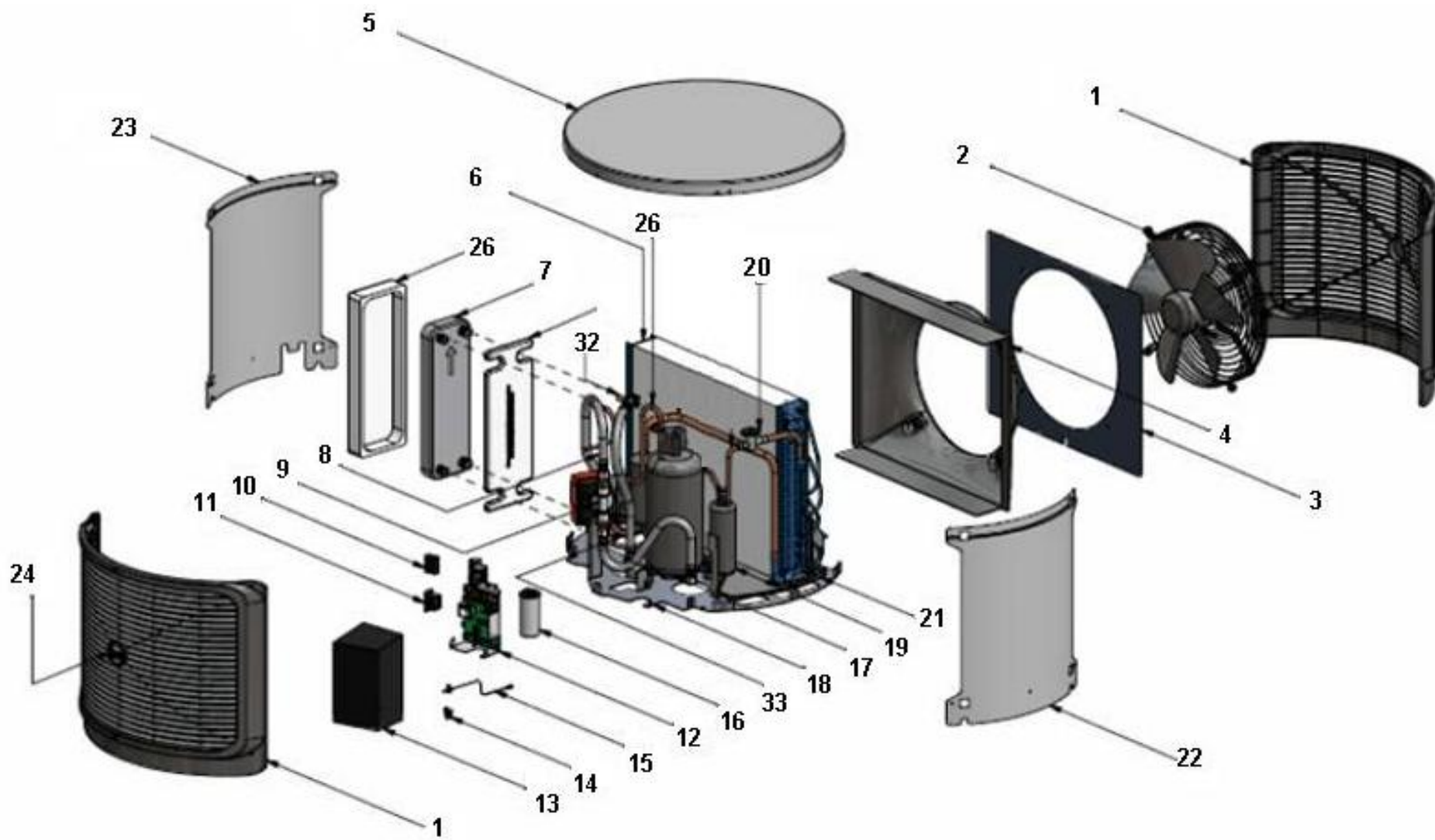
Rheem Spare Parts Manual

A551/561325 Storage cylinder

Item	Part No.	Description
1	221735	Foam cover
2	221720-1	Anode cover
4	220641	TPRV HTE523/507 1000kPa ½"
6	069405	Extension fitting
7	225601	Dip tube
8	221907	Anode (black) 1370mm
	221925	Anode (blue) 1370mm
9	221411	TPRV seal
10	220516	Inlet diffuser
11	050704	Gasket - heating unit
12	102501	Thermostat clamp
13	051404	Screw - heating unit
14	100796	Front upper cover
15	100795	Front lower cover
16	088166	Fitting assembly - inlet
17	088165	Fitting assembly - outlet
18	050316	Element 2.4kW offset
	050242	Element 2.4kW LWD sickle
	050317	Element 3.6kW offset
	050240	Element 3.6kW LWD sickle
19	053069	Wiring assembly
21	056019	Bottom tank thermistor
24	052073	Thermostat element
31	056021	Top tank thermistor
N/S	N/A	Conductor - silicone pad

Rheem Spare Parts Manual

A551310 Heat pump module



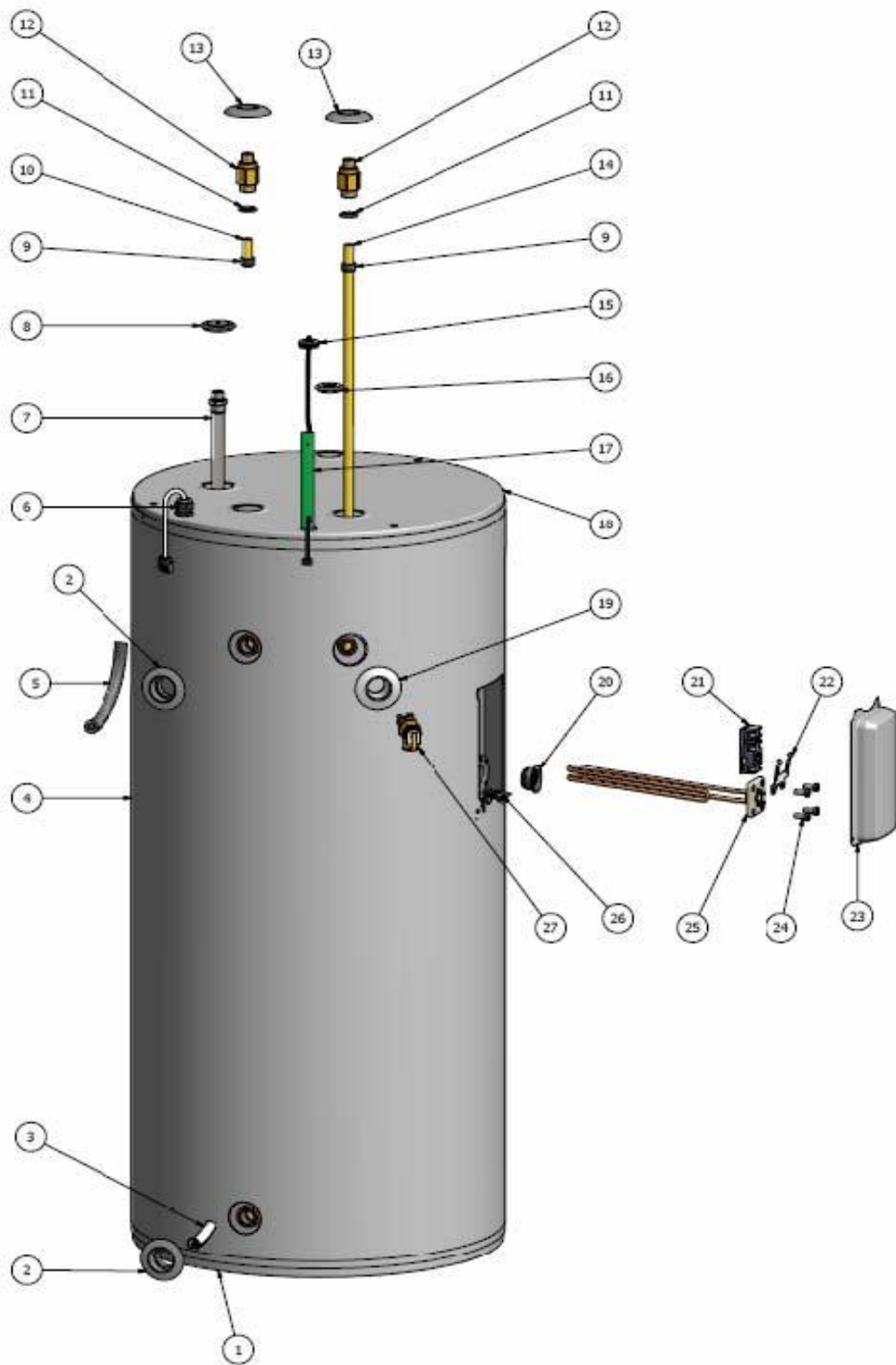
Rheem Spare Parts Manual

A551310 Heat pump module

Item	Part No.	Description	Item	Part No.	Description
1	104798	Air grille	16	890373	Compressor capacitor
2	180027	Fan motor	17	180029	Compressor
3	108374	Air shield	18	140114	Chassis
4	180026	Fan shroud	19	180021	Receiver filter/drier
5	100659	Jacket top	20	180024	TX valve
6	180025	Evaporator coil	21	104797	Drip tray
7	180032	Condenser	22	108372	Side cover
8	088086	Braided hose	23	108373	Side cover drip tray outlet
9	051575	Circulator	24	120513	Air grille outlet
10	890374	Fan motor capacitor	25	090249	Condenser insulation
11	052123	Relay	26	090250	Condenser insulation cover
12	051577	Controller	32	088096	Condenser pipe upper water with t/mistor clamp
13	051659	Control cover	33	088098	Condenser pipe, lower water with t/mistor clamp
14	890263	Sensor clip	N/S	180023	Evaporator thermostat HP booster
15	056006	Sensor	N/S	890588	Salmson Impellor Assembly

Rheem Spare Parts Manual

A551310 Storage cylinder



Rheem Spare Parts Manual

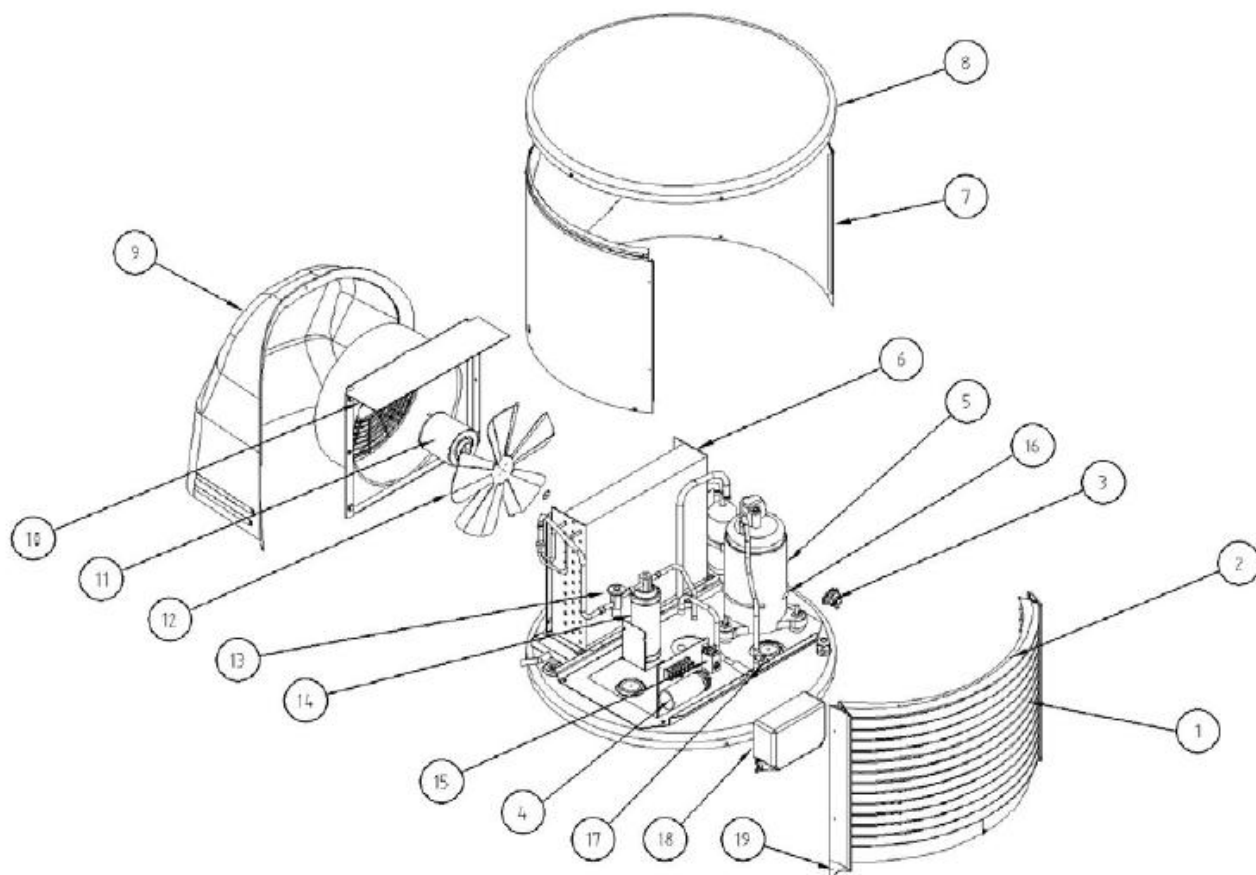
A551310 Storage cylinder

Item	Part No.	Description
1	100633	Jacket bottom
2	221418	Inlet/outlet pipe seal
3	220516	Inlet diffuser
4	120512	Name band
5	225601	Dip tube (outlet)
7	221904	Anode (black) 1153mm
	221924	Anode (blue) 1153mm
	222024	Anode (Green) 1153mm
8	221720-1	Anode cover
9	087027	Dropper tube seal
10	220558	Dropper tube (short)
11	087023	Dropper tube O-ring
12	088040	Brass fitting 3/4" x 1/2"
13	221233	Dropper tube pipe seal
14	220559	Dropper tube (long)
15	080149	Sensor strip grommet
16	221735	Foam cover
17	299306	Sensor strip
18	108375	Jacket top
19	221420	TPRV seal
20	050704	Element gasket
21	051571	R/Shaw thermostat EWT 1L2-561
22	102501	Thermostat clamp
23	100703-1	Access cover
24	051404	Element bolts
25	050324	Element 2.4 kW
25	050323	Element 3.6 kW
26	051521	Terminal Block
27	220641	TPRV HTE523/507 1000kPa 1/2"

Rheem Spare Parts Manual

A551275/275A Heat pump module

Discontinued 2006

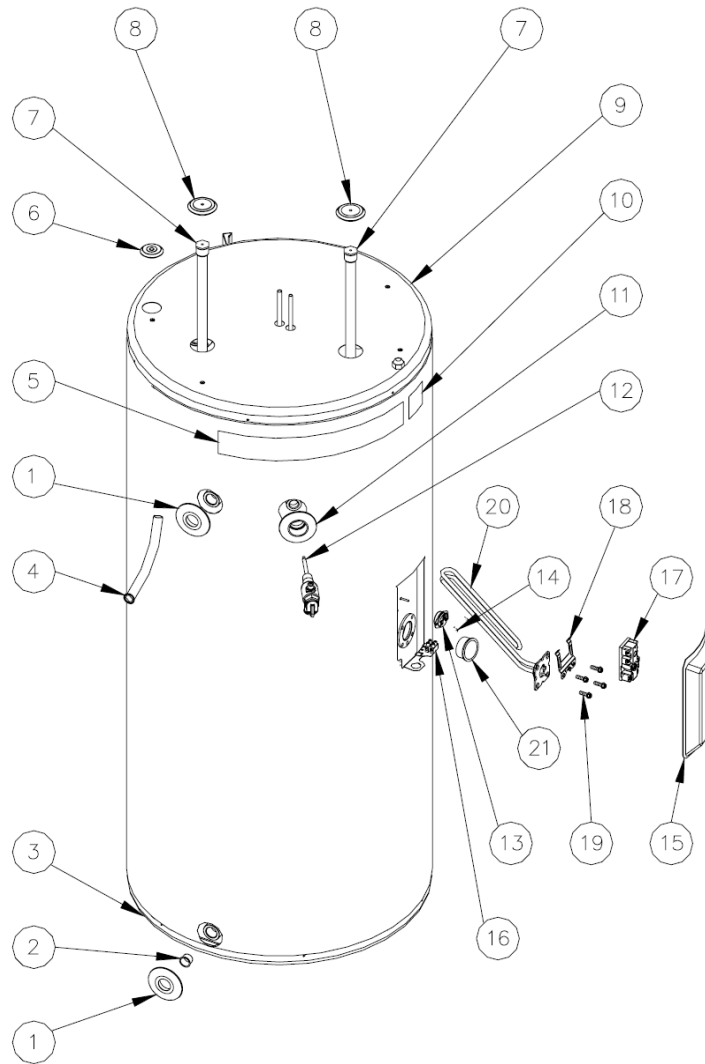


Item	Part No.	Description	Item	Part No.	Description
1	102749	Louvre blade	12	OBSOLETE	Fan blade
2	OBSOLETE	Air inlet louvre	13	OBSOLETE	TX Valve – R22 refrigerant
3	OBSOLETE	ECO manual reset		180024	TX valve – R409A refrigerant
4	225601	ECO thermostat spring	14	OBSOLETE	Receiver/filter drier
5	OBSOLETE	Compressor and accumulator	15	180023	Evaporator thermostat
6	180002	Evaporator coil	16	890369	Capacitor
7	108363	Jacket – refrigeration	17	100703-1	Access valve
8	140313-1	Jacket top – refrigeration	18	OBSOLETE	Electrical connection cover
9	104799	Air outlet shield	19	102747	Louvre rail end cap – LHS
10	180012	Fan guard	19	102748	Louvre rail end cap – RHS
11	OBSOLETE	Fan motor	22	102501	Heat pump rework kit

Rheem Spare Parts Manual

A551275/275A storage cylinder

Discontinued 2006

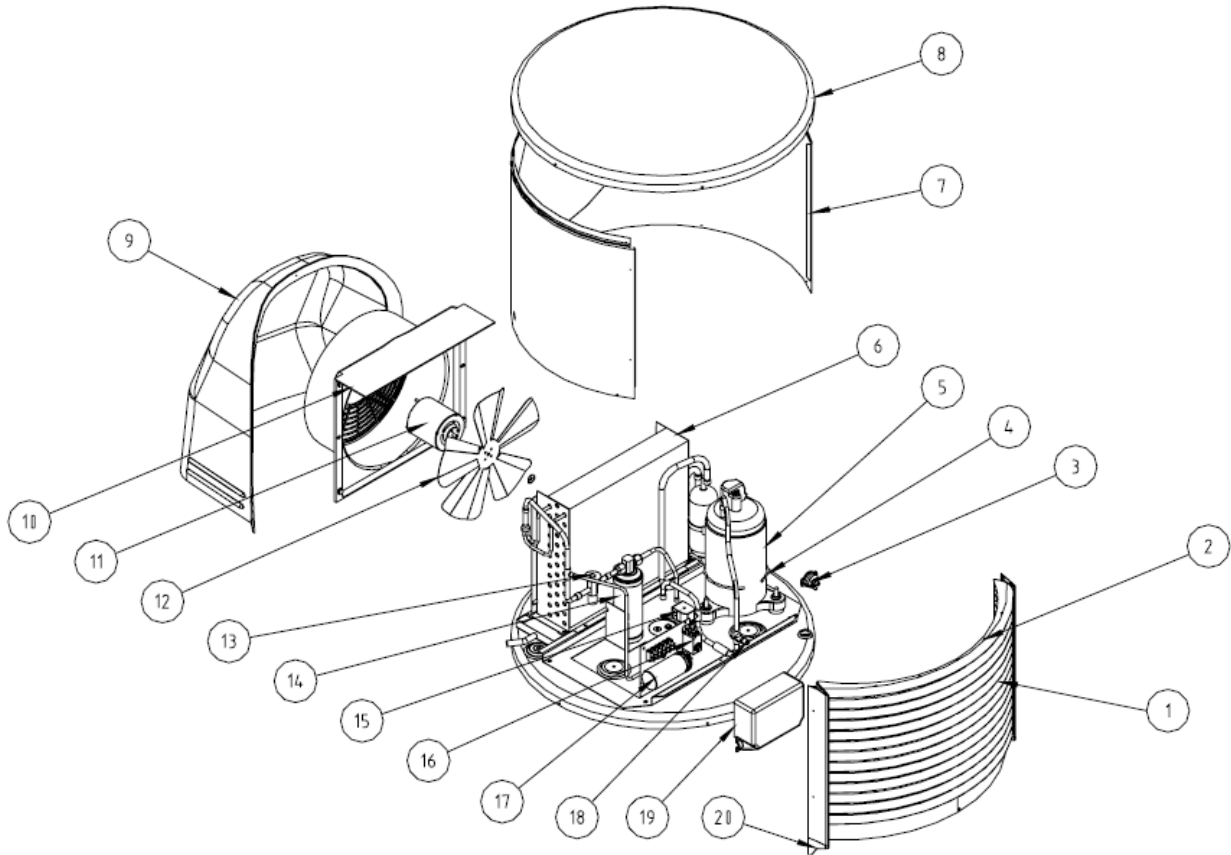


Item	Part No.	Description	Item	Part No.	Description
1	221398-1	Inlet/outlet pipe seal	12	220641	TPRV
2	OBSOLETE	Inlet fitting liner	13	051335	OTC Stat 52°C single Pole
3	OBSOLETE	Jacket bottom		051339	OTC Stat 85°C double Pole
4	225601	Outlet dip tube	14	080127	Thermostat spring
5	OBSOLETE	Name band	15	100703-1	Access cover
6	221735	Inlet foam cover	16	OBSOLETE	Terminal block
7	221914	Anode (black) 1153mm	17	051333	R/Shaw thermostat 1L2-552
	221924	Anode (blue) 1153mm		051347	R/Shaw thermostat '275A model' 1A1-2
	222024	Anode (green) 1153mm	18	102501	Thermostat clamp
8	221720-1	Anode cover	19	051404	Element bolts
9	OBSOLETE	Jacket top	20	OBSOLETE	Element 2.4kW
10	OBSOLETE	Name band		050319	Element 3.6kW
11	OBSOLETE	TPRV seal	21	050704	Element gasket

Rheem Spare Parts Manual

A550275 Heat pump module

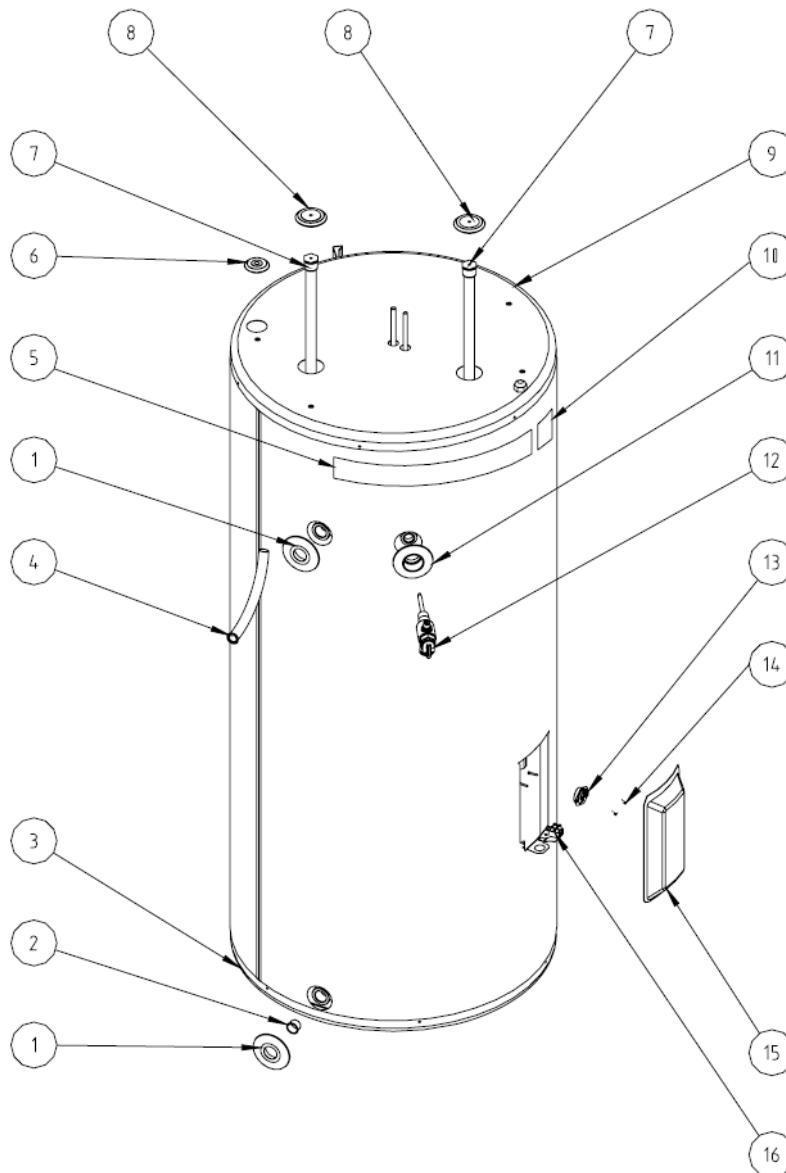
Discontinued 2006



	Part No.	Description
	1	102749 Louvre Blade
	2	102750 Louvre Assembly - Air Inlet
	3	180013 Over Temperature Cut Out Manual Reset
	4	180010 OTC Thermostat Spring
	5	180001 Compressor and Accumulator
	9	104799 Shield Air outlet
	10	180012 Fan Guard
	11	180006 Fan Motor
	12	180007 Fan Blade
	13	180003 TX Valve
	14	180009 Receiver/Filter Drier Flared Connection
		180021 Receiver/Filter Drier Soldered Connection
	15	180004 By Pass Solenoid Valve
	16	180008 De-ice Thermostat
	20	102747 Louvre Rail End Cap - LH
		102748 Louvre Rail End Cap - RH
	21	890313 Kit Heat Pump Rework 55027500
N/S	051329	Thermostat HP T2-A-49-6 49DEG Cut out
	051347	Thermostat R/S EWT 1A1-2
N/S – Not shown		

Rheem Spare Parts Manual

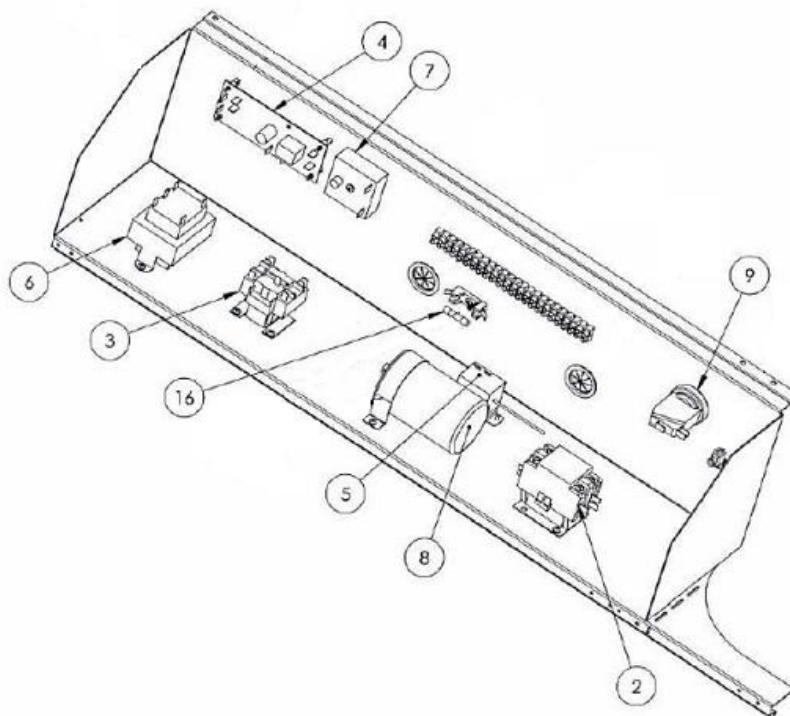
A550275 Storage Cylinder



Item	Part No.	Description	Item	Part No.	Description
1	221398-1	Inlet/outlet pipe seal	8	221720-1	Anode cover
2	OBSOLETE	Inlet fitting liner	9	OBSOLETE	Jacket top
3	OBSOLETE	Jacket bottom	10	OBSOLETE	Name band
4	225601	Outlet dip tube	11	OBSOLETE	TPRV seal
5	OBSOLETE	Name band	12	220641	TPRV HTE523/507 1000kPa ½"
6	221735	Foam cover	13	051329	Thermostat 49°C
7	221914	Anode (black) 1153mm	14	080127	Thermostat spring
	221924	Anode (blue) 1153mm	15	100703-1	Access cover
	222024	Anode (green) 1153mm	16	OBSOLETE	Terminal block

Rheem Spare Parts Manual

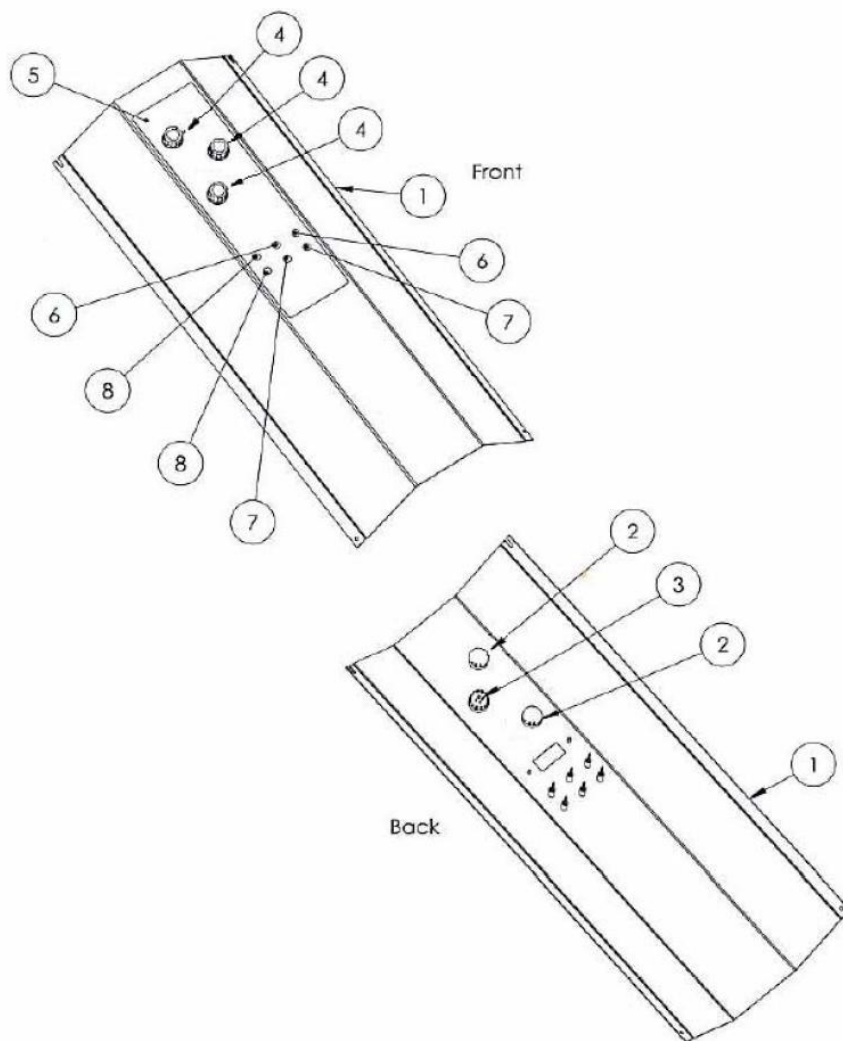
ARHP33 Control panel assembly



Item	Part No.	Description
2	5410002	Compressor contactor
3	5010010	Fan relay
4	5010007	Control board 24V (thermostat) SP-332
5	2110003	Defrost thermostat
6	5010014	Transformer 240V - 24V A/C
7	5010011	Delay timer
8	5510008	Compressor and fan capacitor
9	5010015	Water pressure switch
16	100-121	Fuse 2A (10 per bag)

Rheem Spare Parts Manual

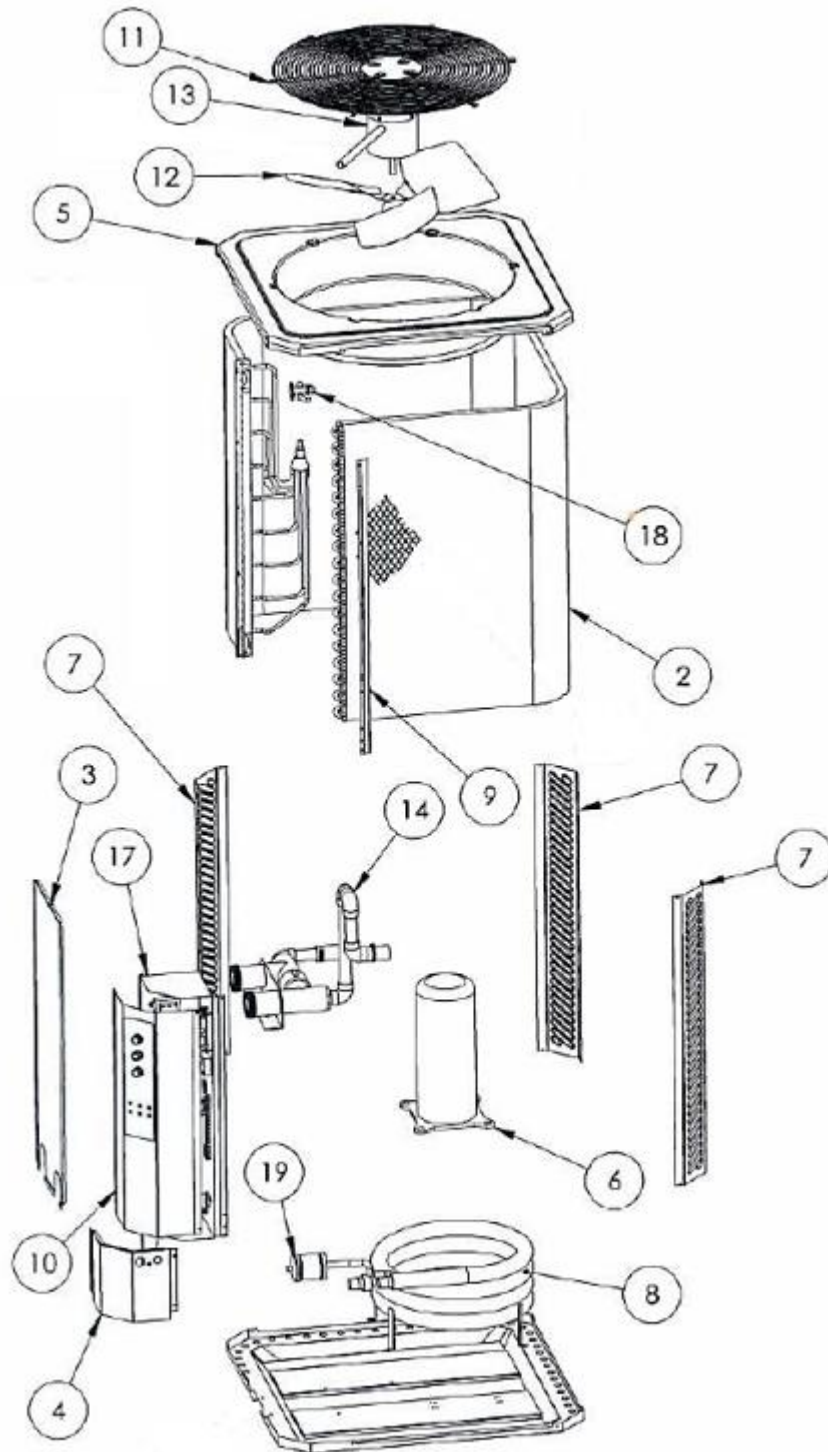
ARHP33 Control panel fascia



Item	Part No.	Description
1	8130152	Control panel cover
2	100-107	Thermostat adjustment potentiometer
3	100-106	Spa/pool selector switch
4	5610001	Selector switch knob
5	8410017	Control panel label
6	5310001	LED green
7	5310003	LED red
8	5310002	LED amber

Rheem Spare Parts Manual

ARHP33 Pool heat pump



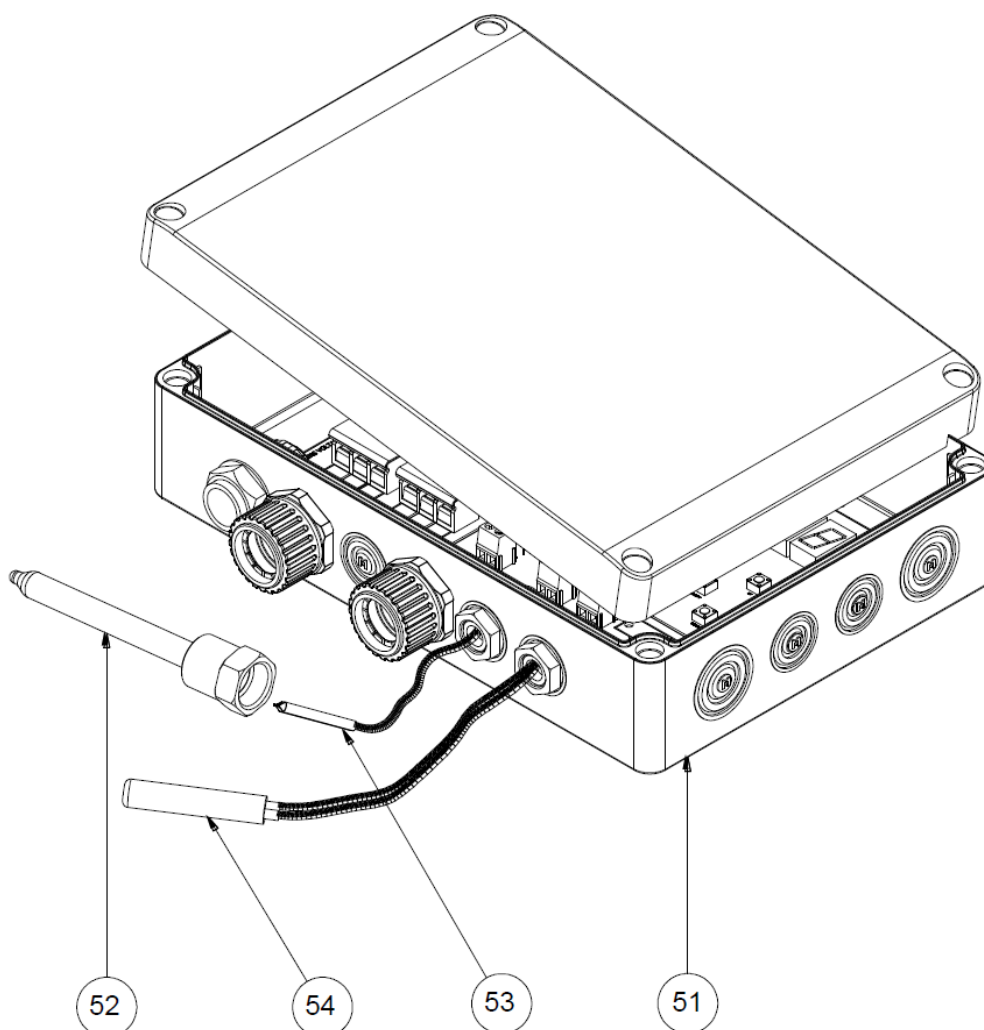
Rheem Spare Parts Manual

ARHP33 Pool heat pump

Item	Part No.	Description
2	4010001	Evaporator coil
3	8150142	Access panel
4	8140152	Power input panel
5	8110140	Top cover
6	3010002	Compressor
7	8160152	Corner support
8	2010009	Heat exchanger
10	8130152	Control panel cover
11	8210001	Fan guard
12	8210002	Fan blade
13	8210010	Fan motor with 1.5m cable
14	6310002	Water manifold assembly
17	8310002	Control panel
18	2110008	Expansion (TX) valve
19	2110002	Receiver filter/drier
N/S	100-116	Indicator tube
N/S	5010012	Low pressure switch
N/S	5010013	High pressure switch
N/S	6210032	Union for water connections
N/S	5010006	Water sensor

Rheem Spare Parts Manual

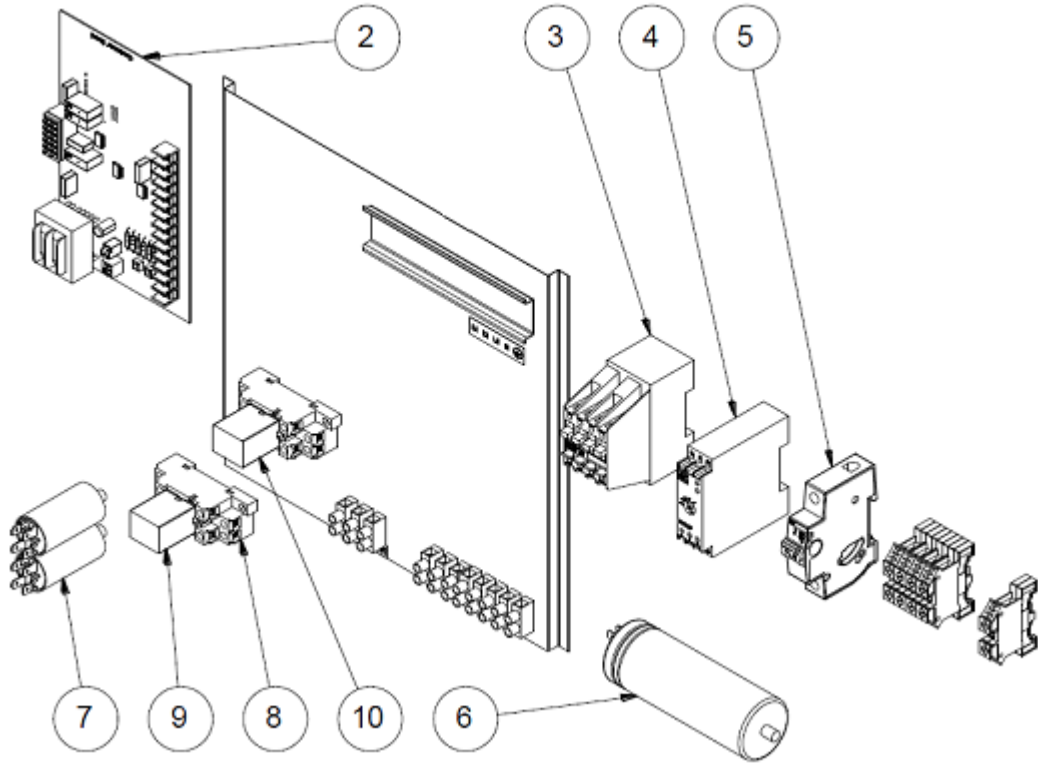
Commercial Heat Pump 952/953 0220



Item	Part N°	Description
51	052140	Master Controller Assembly
52	079427	Well – Tank stat
53	890711	Tank stat (Sensor)
54	890712	Ambient Air Sensor

Rheem Spare Parts Manual

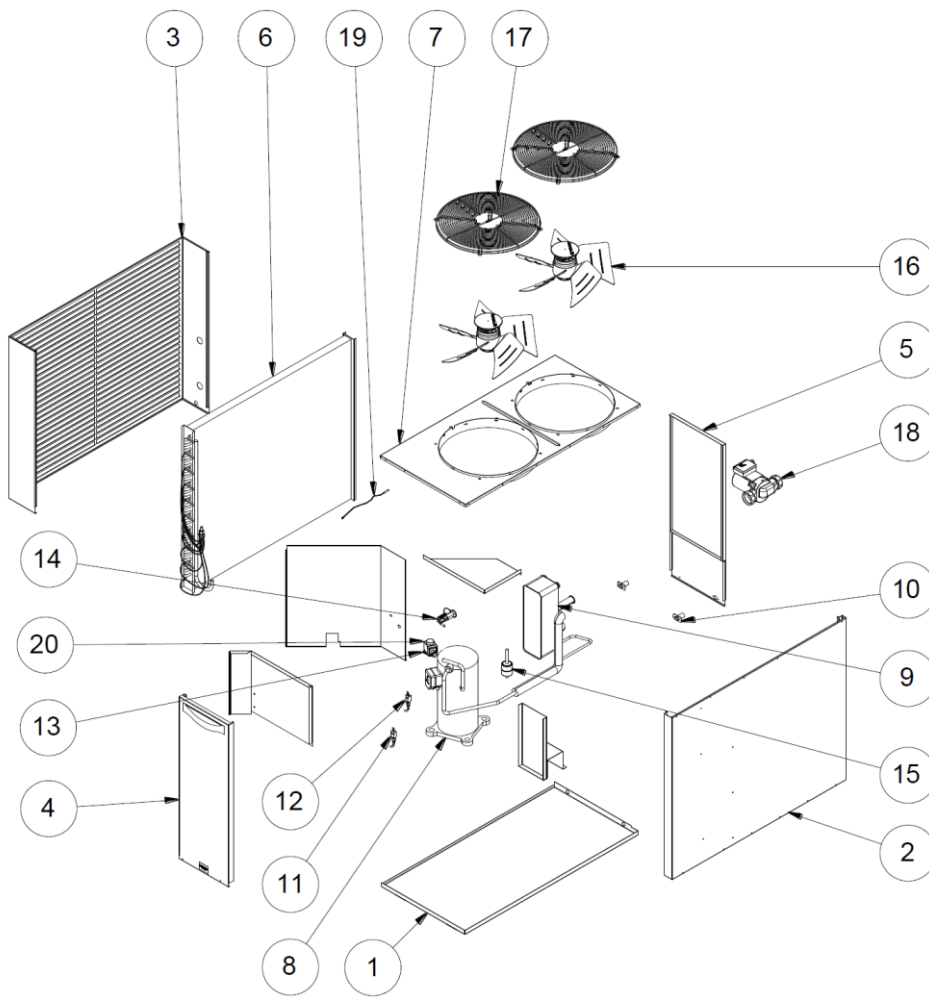
Commercial Heat Pump 952/953 0220



Item	Part N°	Description
2	17012	Condenser Management Board AC1R2
		Condenser Management Board AC1R2 (Models made after the 1/5/09 only)
3	17006	Contactor 8-20KW
4	17206	Phase Failure Relay – RPW-FSF-D70
5	17083	Circuit Breaker (10 amp)
6	17034	Capacitor 22 μ F (Low Speed)
7	17029	Capacitor 4 μ F
8	17127	Relay Base
9	17126	Relay 240VAC - De-ice control (Models made after the 1/5/09 only)
10	17200	Relay 24VAC - Heat Pump control

Rheem Spare Parts Manual

Commercial Heat Pump 952/953 0220



Rheem Spare Parts Manual

Commercial Heat Pump 952/953 0220

Item	Part N°	Description		
1	23492	Base Panel		
2	23505	Powder Coated	Top Discharge	RHS Panel
	23502AL	Aluminium		
	23502SS	Stainless Steel		
	24918	Powder Coated	Side Discharge	
	24918AL	Aluminium		
	24918SS	Stainless Steel		
3	23501	Powder Coated	LHS Panel - Louvred	
	23501 AL	Aluminium		
	23501 SS	Stainless Steel		
4	23494	Powder Coated	Access Panel - Front	
	23494AL	Aluminium		
	23494SS	Stainless Steel		
5	23493	Powder Coated	Access Panel - Rear	
	23494AL	Aluminium		
	23494SS	Stainless Steel		
6	16332	Evaporator (uncoated)		
	16189	Evaporator (coated)		
7	23498	Powder Coated	Top Panel – Top Discharge (952022 & 953022)	
	23498AL	Aluminium		
	23498SS	Stainless Steel		
	24917	Powder Coated	Top Panel - Side Discharge (953022)	
	24917AL	Aluminium		
	24917SS	Stainless Steel		
8	20011	Compressor		
9	16208	Heat Exchanger		
10	26205	Condensate Drain		
11	16080	Low Pressure Switch		
12	16079	High Pressure Switch		
13	16334	De-ice Solenoid Valve (Models made post 1/5/09 only)		
14	16072	TX Valve HAE-5VX100B20		
15	16293	Filter Drier		
16	21018	Fan & Motor		
17	16116	Fan Guard		
18	56860243	Circulator UPS32-80B		
19	17079	Evaporator Sensor		
20	16361	De-Ice Solenoid Valve Coil (Models made post 1/5/09 only)		
NS	16359	Relief Valve H537(1200kPa)		
	16193	¼" Access Valve		
	16195	Schraeder Core		
	16194	Schraeder Cap		

Rheem Spare Parts Manual

441135- 441170

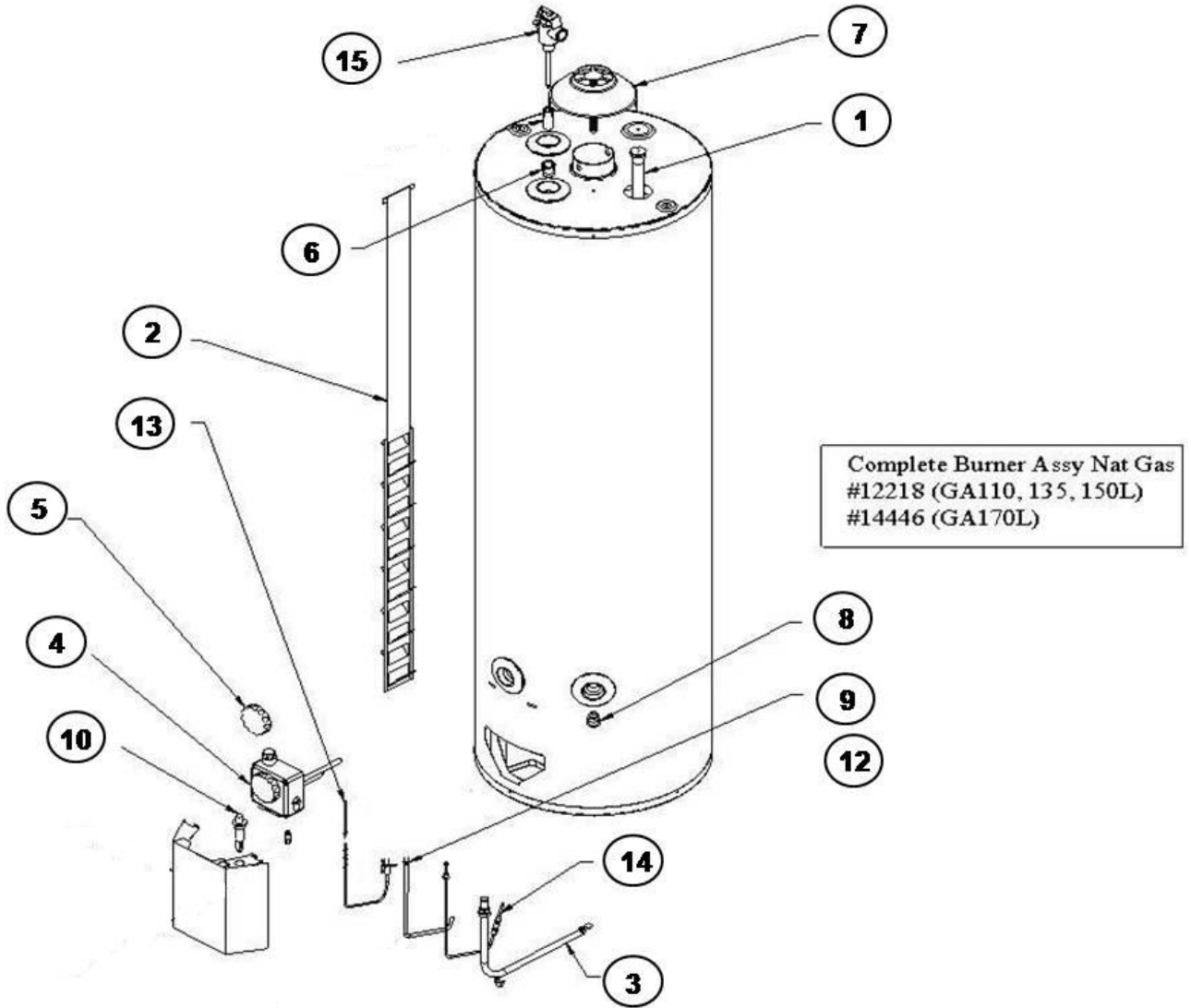
Internal MPG

Item	Part No.	Description
1	079426	Drywell pocket
2	11004	Anode (black) 1125 mm
2	10999	Anode (black) 1448 mm
3	11590	Flue baffle 135L
3	11589	Flue baffle 170L
4	070801	Burner feed pipe LPG/NG 135/170
6	079424	Eurosit gas control LPG
6	079421	Eurosit gas control NG
7	101312-1	Burner access panel
8	316364	Draught diverter 75mm
9	316209	Fitting liner 3/4" x 25mm
10	220901	Inlet diffuser
12	11007	Pilot tube olive
13	890202	Piezo suit Eurosit valve
14	070946	Pilot assembly T/switch LPG
14	070945	Pilot assembly T/switch NG
15	071507	Pilot tube
16	143902	Pilot shield
17	890175	Ignition electrode and lead
18	071428	Thermocouple T/switch 450mm
19	11003	TPRV HT553 1400kPa x 1/2"
N/S	316474	Complete burner/valve assembly 135L NG
	316475	Complete burner/valve assembly 170L NG
	316476	Complete Burner/valve assembly LPG

Rheem Spare Parts Manual

MPG 411/431 GA series

Internal Discontinued July 1999



Rheem Spare Parts Manual

MPG 411/431 GA series

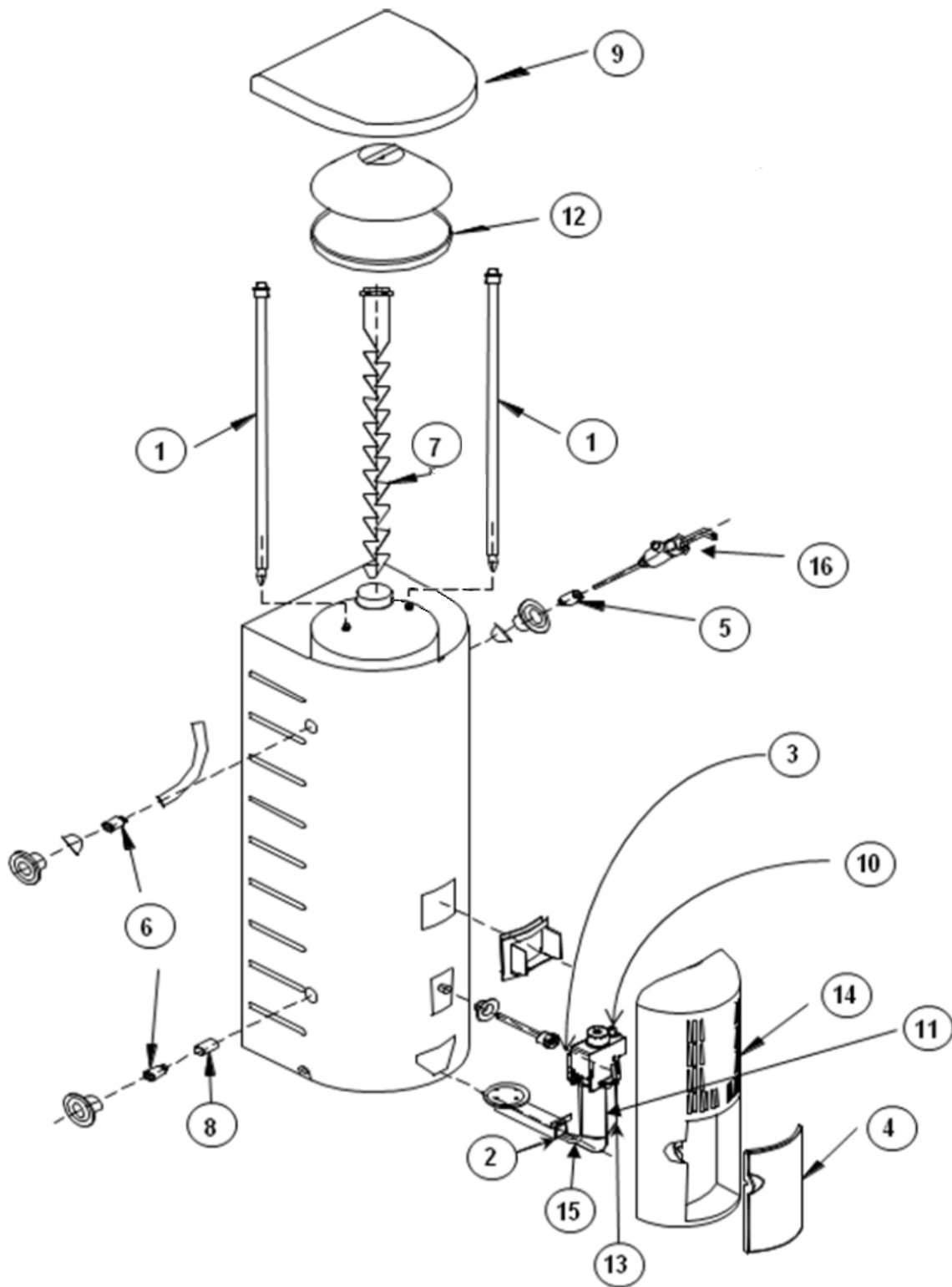
Internal Discontinued July 1999

Item	Part No.	Description
1	11004	Anode 1125mm
	10999	Anode 1448mm
	11009	Anode 929mm
2	11590	Flue baffle GA135
	11589	Flue baffle GA170
3	070801	Burner feed pipe 80/90/135/170L
4	15311	R/Shaw gas valve 220RT NG Pilot tube UNF 7/16"
	15313	R/Shaw unitrol gas valve 220RT Pilot tube LPG UNF 7/16"
	11006	SIT AC3 gas valve
5	90050	Temperature dial SIT AC3
	90054	R/Shaw temperature dial R110RT
6	316209	Fitting liner 3/4" x 25mm
7	315838	Draught diverter & TPRV kit
8	220901	Inlet diffuser
9	11007	Pilot tube olive
10	071903	Piezo igniter screw-in
11	10979	Pilot tube (GA Series)
12	143902	Pilot shield
13	15381	Pilot assembly, electrode and lead
14	071417	Thermocouple 475mm T/switch with clip
15	11003	TPRV HT553 1400kPa 1/2" (post October 1992)
	90423	TPRV HTE55-2 850kPa 3/4" (pre 1988)

Rheem Spare Parts Manual

MPG Stellar 130 - 160L

Models A850330 A850360



Rheem Spare Parts Manual

MPG Stellar 130 - 160L

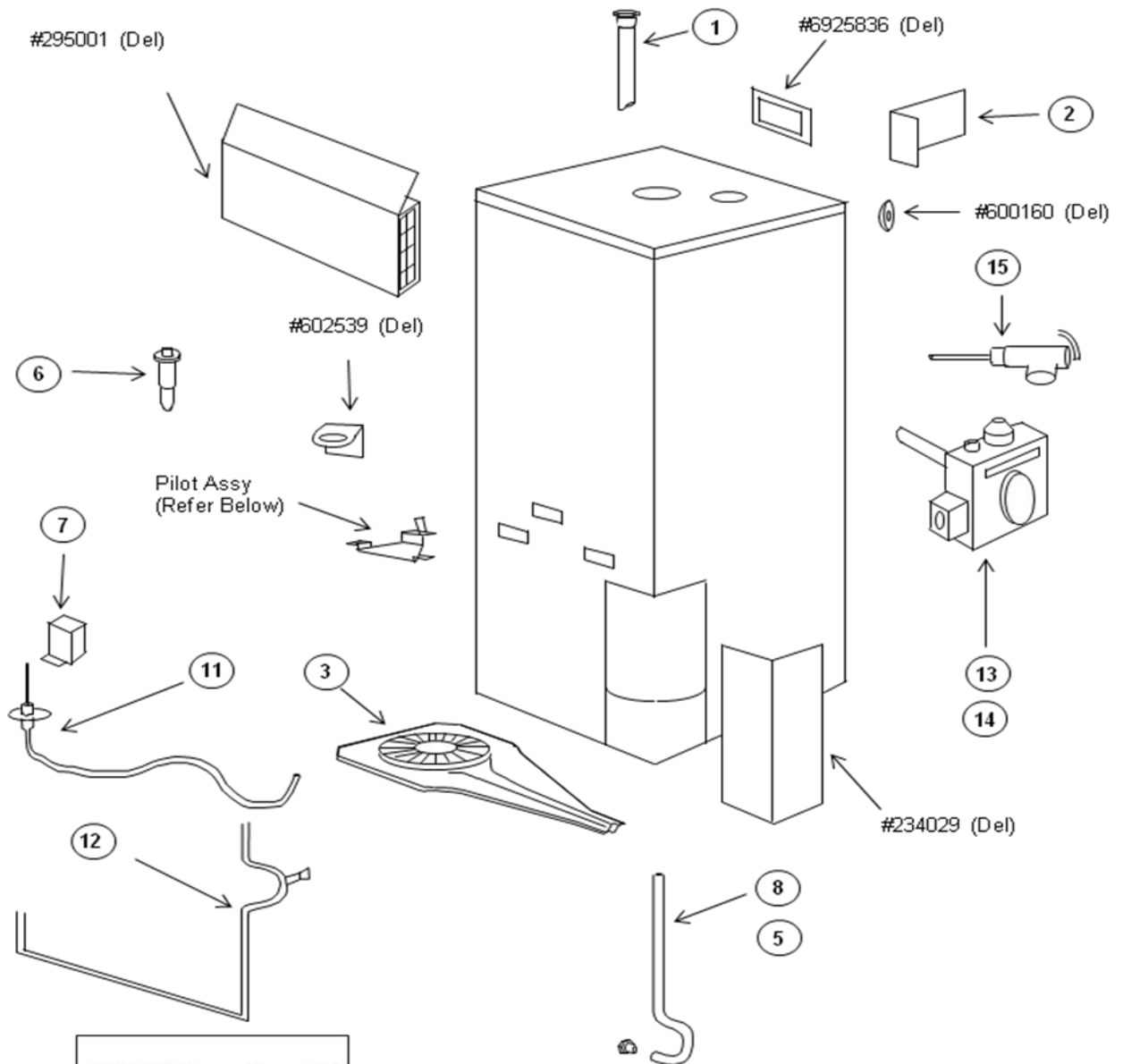
Models A850330 A850360

Item	Part No.	Description
1	221947	Anode (black) 1686mm
2	070366	LPG conversion kit Complete Burner, pilot and control assembly
	070368	NG conversion kit Complete Burner, pilot and control assembly
3	079425	Eurosit gas valve LPG
	079421	Eurosit gas valve NG
4	101308	Access cover
5	088037	Extension fitting ½" x 45mm
6	088038	Extension fitting ¾" x 45mm
7	071853	Flue baffle 130L
	071855	Flue baffle 160L
8	220901	Inlet diffuser
9	101213	Jacket top
10	890202	Eurosit piezo
11	071507	Pilot burner supply pipe
12	225502	Flue seal
13	890175	Ignition electrode and lead
14	104755	Terminal assembly
15	071428	Thermocouple T/switch 450mm
16	11003	TPRV HT553 1400kPa x ½"
N/S	070946	LPG pilot assembly (pilot, thermocouple, pilot tube, ignition rod/ lead)
	070959	NG pilot assembly (pilot, thermocouple, pilot tube, ignition rod/lead)
	073354	Main Injector 1.60mm 5/16" LPG
	890181	Pilot Injector 0.27mm NG
	890197	Pilot injector 0.18mm LPG

Rheem Spare Parts Manual

MPG Vulcan Freeloader 69 Series

Discontinued 2002



#273032 Burner Assy LPG

#295024 Burner Assy NG

Consists Of:

- Burner Assy
- Pipes & Jet
- Pilot & Jet
- Spark Plug & Lead
- Pilot Tube
- Thermocouple

#6028823
Pilot Assy
LPG
Spark Plug & Lead
Consists of:
Pilot & Jet

OBSCLETE

(Del) Deleted, no longer available

Rheem Spare Parts Manual

MPG Vulcan Freeloader 69 series

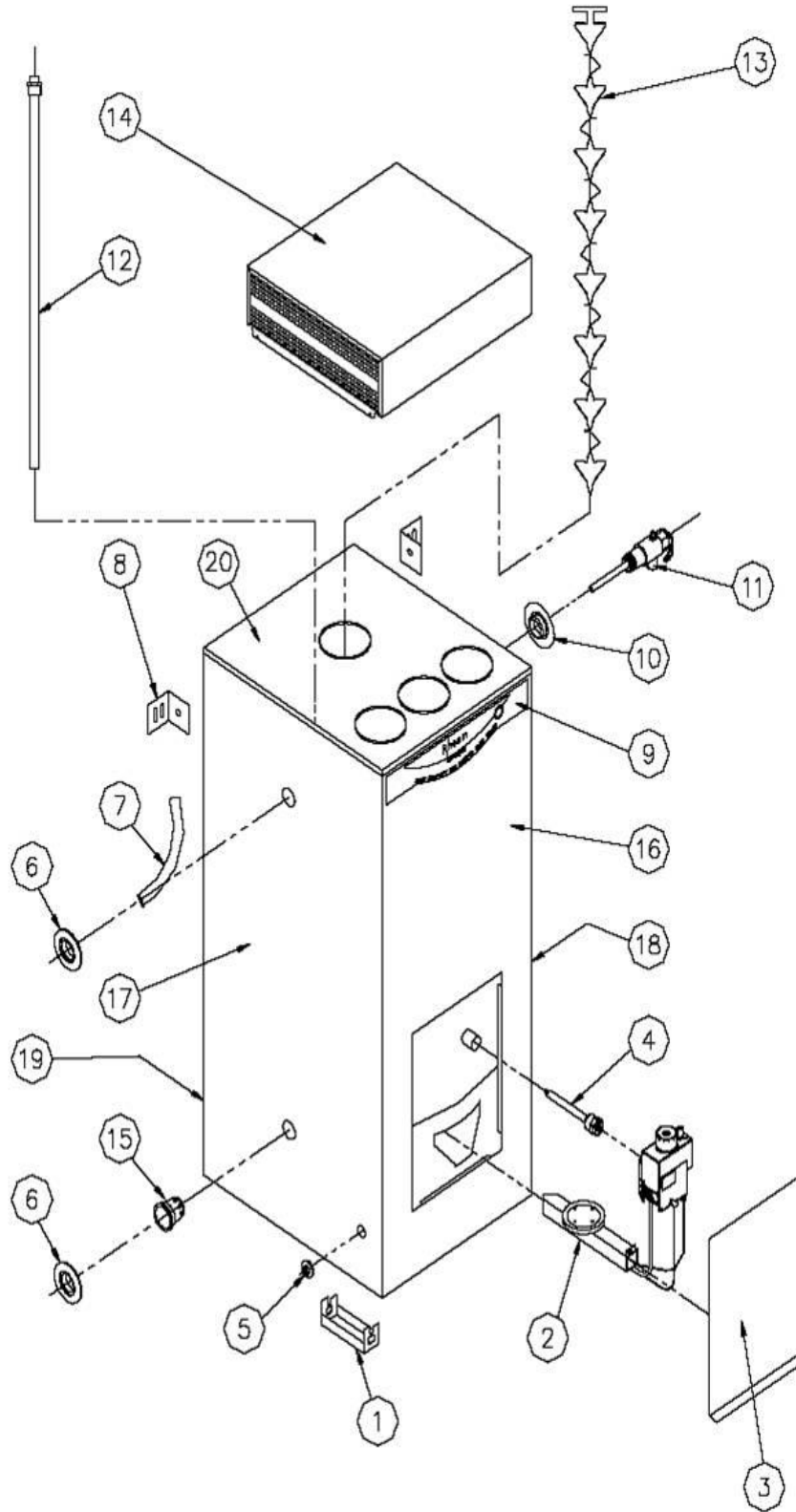
Discontinued 2002

Item	Part No.	Description
1	11004	Anode 1125mm
1	11009	Anode 929mm
1	11085	Anode 1480mm
2	6017831	Wall mounting bracket
3	295024	Burner assembly complete NG
5	600516	Injector NG
5	273038	Injector LPG
5	600210	Injector V 4.30mm
6	071903	Piezo igniter screw-in
7	6025869	Pilot hood
8	602553	Burner tube (no injector)
10	274034	Thumb screw 3/16" x 12.5mm
11	071702	Ignition electrode and lead 550mm
12	295019	Thermocouple NG/LPG
13	15311	R/Shaw unitrol gas valve 220RT NG Pilot tube UNF 7/16"
13	15313	R/Shaw unitrol gas valve 220RT LPG Pilot tube UNF 7/16"
14	11006	SIT AC3 gas valve
15	6025841	TPRV HTT55/1 1400kPa ½"

Rheem Spare Parts Manual

MPG models A311135 – A311170

External



Rheem Spare Parts Manual

MPG models A311135 – A311170

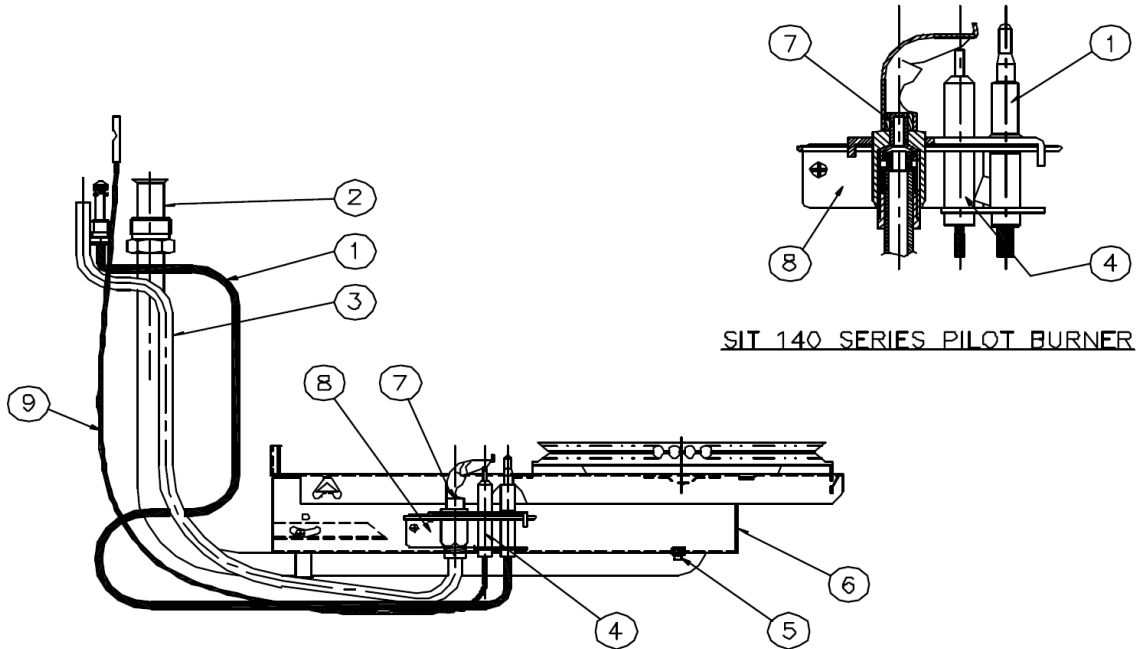
External

Item	Part no.	Description	Item	Part no.	Description
1	101402	Foot	12	222015	Anode (green) 135L
2	See Burner Assembly Diagram			222015	Anode (green) 170L
3	104603-1	Access door	13	POA	Baffle 135L
4	079411	Adapter		POA	Baffle 170L
5	N/A	Grommet	14	104709-1	Flue terminal Joey grey
6	N/A	Inlet/outlet pipe seal	15	220901	Inlet diffuser
7	225601	Dip tube	16	104415-1	Jacket front 135L
8	N/A	Wall bracket		104416-1	Jacket front 170L
9	N/A	Name band	17	POA	Jacket left side 135L
10	N/A	TPRV seal		POA	Jacket left side 170L
11	11003	TPRV HTT553 1400 kPa ½" x ½"		POA	Jacket right side 135L
12	221909	Anode (black) 135L		POA	Jacket right side 170L
	221915	Anode (black) 170L		POA	Jacket rear 135L
	221914	Anode (black) 135 / 170		POA	Jacket rear 170L
	221924	Anode (blue) 135L		POA	Jacket top Joey grey
	221925	Anode (blue) 170L			

Rheem Spare Parts Manual

MPG models A311135 – A311170

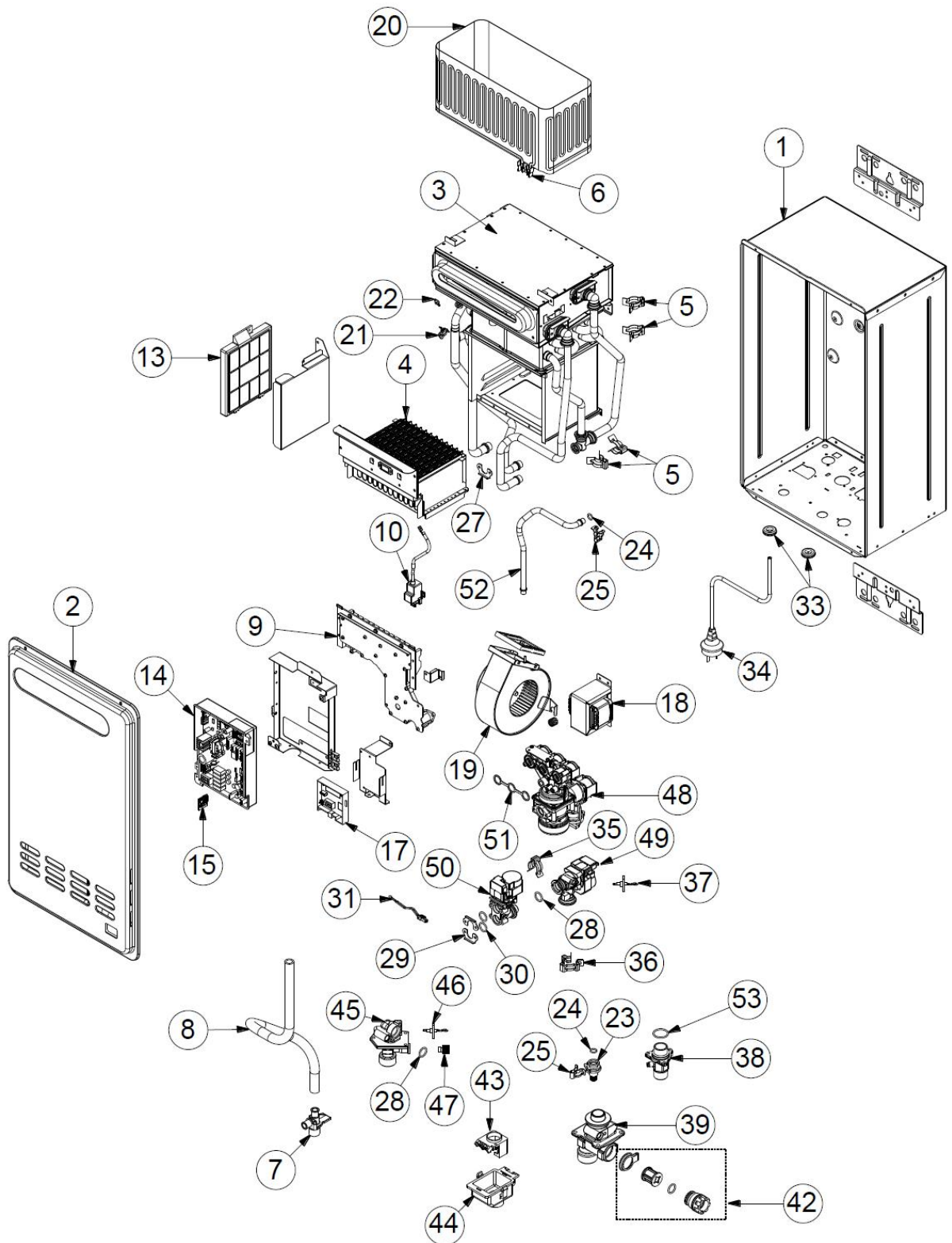
Burner Assembly



Item	311135	311170	Description
1	071428	071428	Thermocouple LPG & NG
2	N/A	N/A	Burner feed pipe LPG & NG
3	071507	071507	Pilot feed pipe LPG & NG
4	890175	890175	Spark Plug and Lead
5	073328	073336	Main burner injector NG
	073368	N/A	Main burner injector LPG
6	070485	070485	Burner assembly NG
	070194	070194	Burner assembly LPG
7	890181	890181	Pilot Injector NG SIT 0.27mm
	890197	N/A	Pilot Injector LPG SIT 0.18mm
8	070959	070959	Pilot assembly NG
	070953	070953	Pilot assembly LPG

Rheem Spare Parts Manual

Continuous flow condensing model 884024 Mechanical



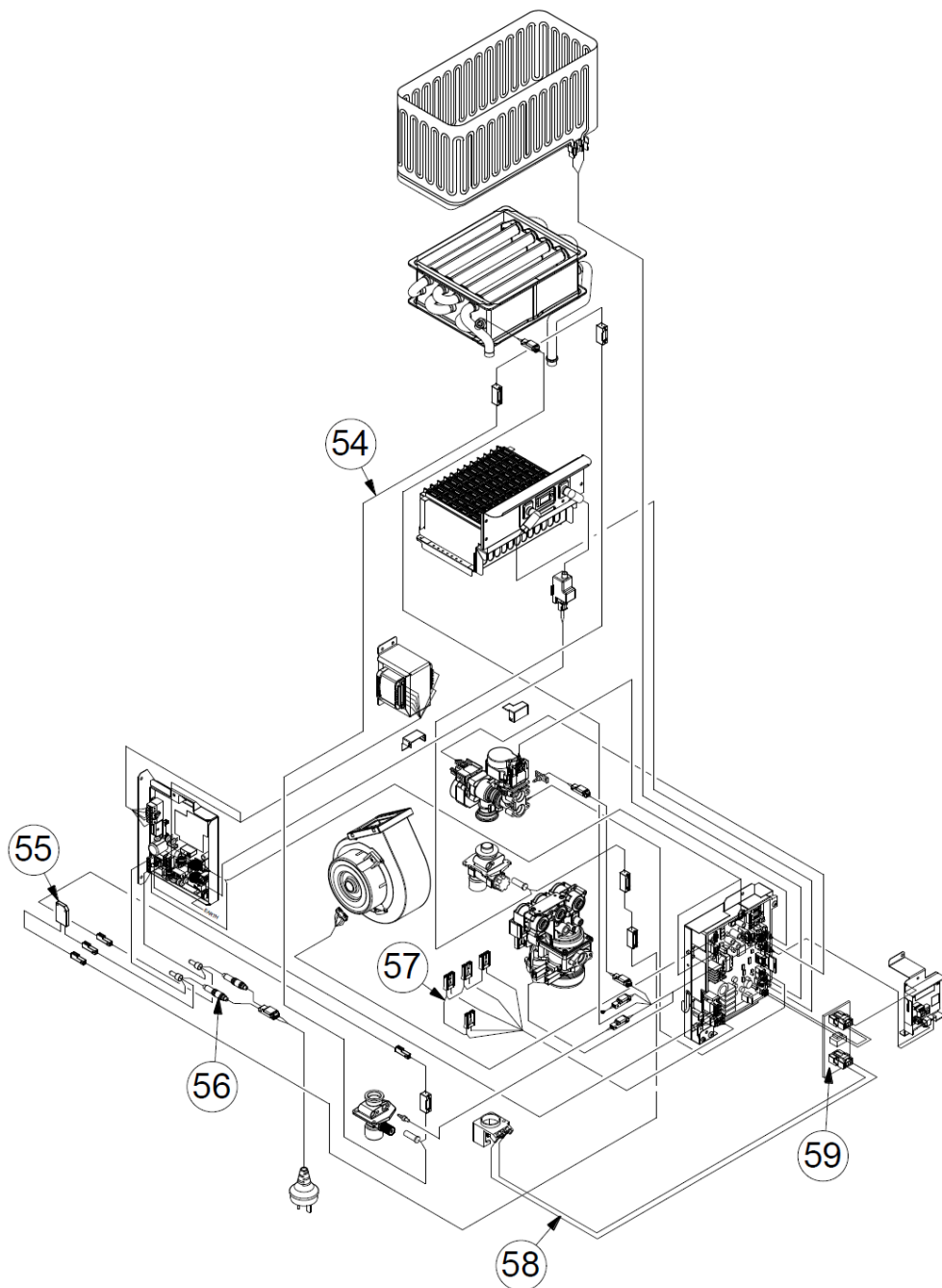
Rheem Spare Parts Manual

Continuous flow condensing 884024 Mechanical

Item	Part No.	Description	Item	Part No.	Description
2	41-06161-00	Front cover	27	10-88399-00	Flange suit heat exchanger outlet
3	41-06238-00	Heat exchanger	28	09-06215-00	O-ring suit heat exchanger outlet
4	20-93805-00	Upper burner assembly	29	10-88398-00	Flange suit heat exchanger inlet
5	20-43619-00	Spring clip	30	09-06219-00	O-ring suit heat exchanger inlet
6	41-06819-00	Over heat limiter terminal block	31	41-06746-00	Ambient air thermistor
7	41-06659-00	Condensate drain connector	33	21-43144-00	Rubber bush
8	20-70906-00	Condensate drain hose	34	41-06774-00	Power lead
9	41-06514-00	Gas manifold lower burner assembly NG	35	10-73880-00	Spring clip suit water body assembly
9	41-06511-00	Gas manifold lower burner assembly LPG	36	20-43624-00	Spring clip suit cold water inlet
10	31-61212-00	Igniter assembly	37	44-30127-00	Water inlet thermistor
13	41-02960-0S	PCB power supply	38	31-76255-00	Gas inlet connector 3/4"
14	41-06690-0S	PCB	39	41-06403-00	Water inlet connector 3/4" (inc items 42)
15	41-06797-00	Gas type connector – 60°C NG	42	20-43718-00	Water drain valve assembly (add item 28)
15	41-06796-00	Gas type connector – 60°C LPG	43	41-06786-00	Remote control terminal assembly
17	41-02265-00	O.K. monitor	44	20-93609-00	Remote control terminal assembly cover
18	41-06759-00	Transformer	45	31-86062-00	Water outlet connector 3/4"
19	31-93729-00	Fan	46	44-30128-00	Outlet thermistor
19	41-06606-00	Fan case	47	04-38888-00	Safety valve
20	41-06809-00	Over heat limiter	48	41-06305-00	Proportional gas flow regulating valve
21	31-92244-00	Heat exchanger thermistor clip	49	41-06311-00	Water valve
22	44-30129-00	Heat exchanger thermistor	50	20-51138-00	Water bypass assembly
23	20-93458-00	Water drain connector	51	20-93518-00	Gasket for PGFRV
24	09-06118-00	O-ring suit water drain assembly	52	41-06412-00	Water drain pipe
25	20-93462-00	Spring clip suit water drain assembly	53	09-61260-00	O-ring suit gas inlet

Rheem Spare Parts Manual

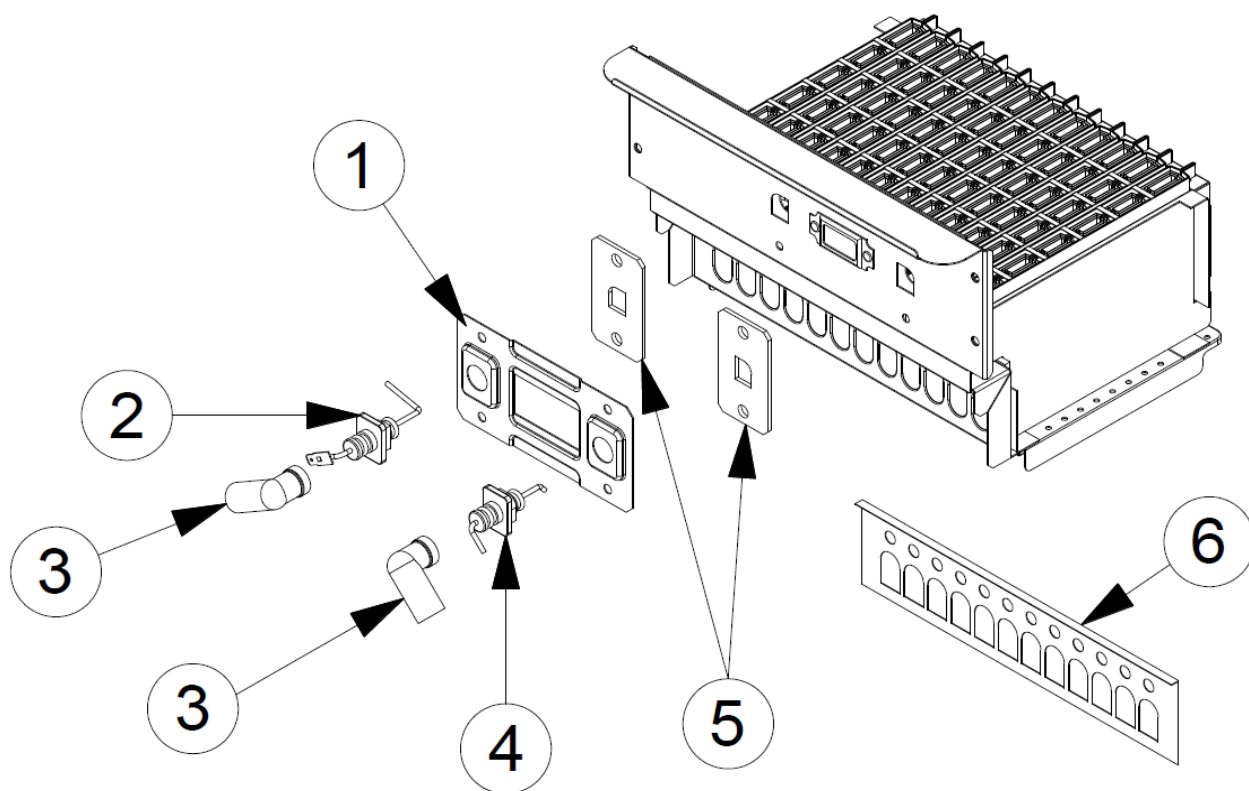
Continuous flow condensing 884024 Electrical



Item	Part No.	Description
54	41-06806-00	Anti-frost heater assembly
55	21-34493-00	Anti-frost thermostat assembly
57	41-06778-00	110V wiring loom
58	41-06786-00	Remote control terminal assembly
59	41-02810-00	Filter board
N/S	41-06784-00	Connecting cord
	41-06788-00	Relay
	41-06789-00	Remote control connection

Rheem Spare Parts Manual

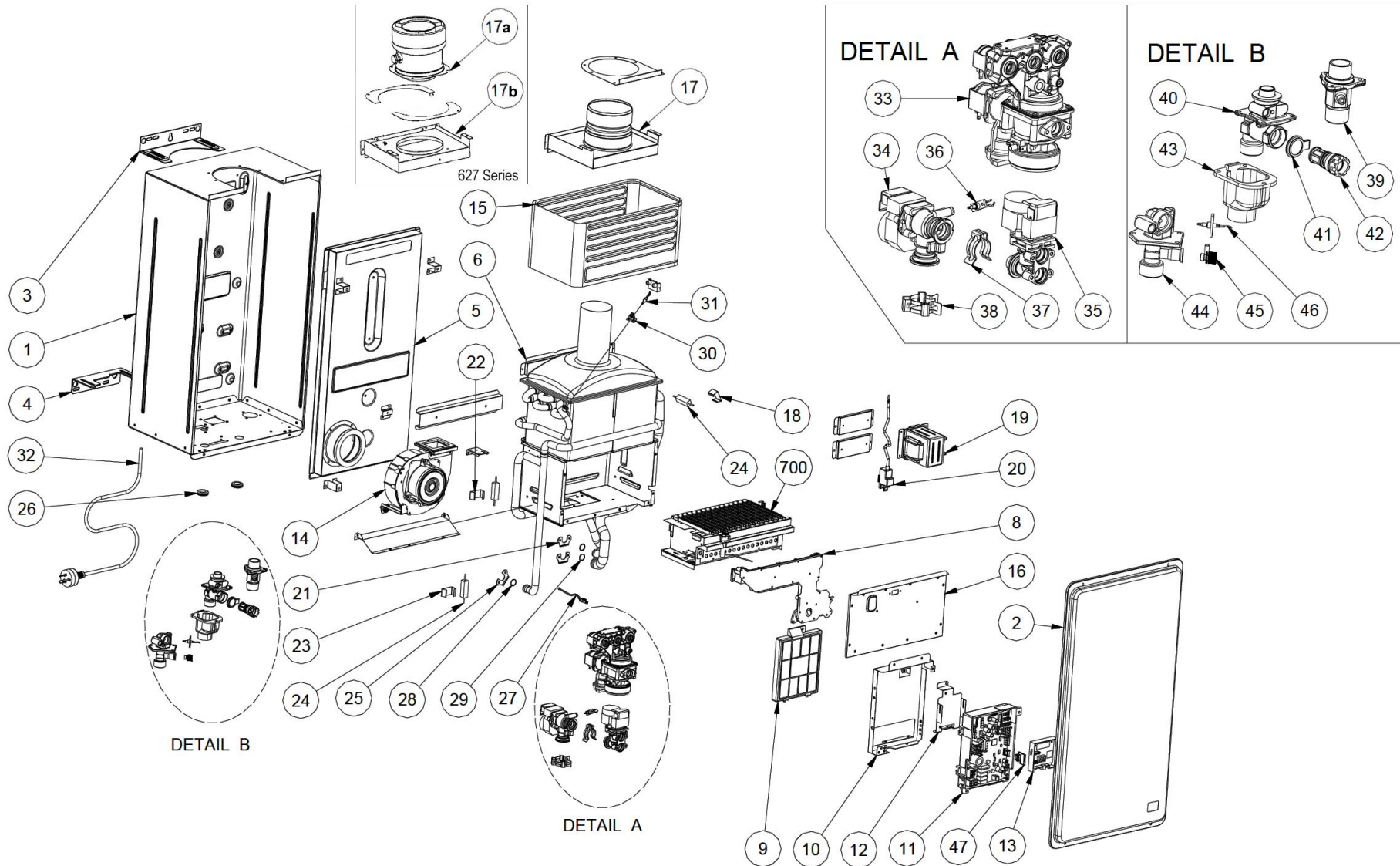
Continuous flow condensing model 884024 Upper burner assembly



Items 1-6	Complete upper burner assembly	Part No.20-93805-00
Item	Part No.	Description
1	20-93831-00	Electrode bracket
2	20-93836-00	Flame sensor electrode
3	20-93837-00	Protective silicone tube
4	20-93833-00	Ignition electrode
5	20-93835-00	Electrode bracket gasket
6	20-93819-00	Burner plate

Rheem Spare Parts Manual

Continuous flow internal models 864027, 864627 & 862627 Mechanical



Rheem Spare Parts Manual

Continuous flow 864027, 864627 & 862627series internal models

Item	Part No.	Description	Item	Part No.	Description
2	41-02215-00	Front cover	27	09-76988-00	Ambient air thermistor
3	21-96103-00	Slide bracket A	28	09-06215-00	Heat exchanger outlet O-ring
4	21-12632-00	Slide bracket B	29	09-06219-00	Heat exchanger inlet O-ring
5	41-02421-00	Intake hood	30	31-92244-00	Spring clip for heat exchanger thermistor
6	41-02441-00	Combustion chamber kit suits model 864027	31	09-76932-00	Heat exchanger thermistor
	41-02443-00	Combustion chamber kit suits models 864627 & 862627	32	31-76652-00	Cord set
8	41-02412-00	Gas manifold assembly NG	33	41-02231-00	PGFR valve
	41-02417-00	Gas manifold assembly LPG	33	09-61260-00	PGFR valve O-ring
9	41-02960-0S	Power supply PCB suits all 86 models	34	20-51136-00	Water control assembly
10	31-92105-00	PCB bracket	35	20-51138-00	Water bypass assembly
11	41-02911-00	PCB suits model 864027	36	09-76931-00	Water inlet thermistor
13	41-02490-0S	PCB suits model 864627 & 862627	37	11-24325-00	Spring clip
	41-02265-00	O.K. monitor (LED display)	38	20-43624-00	Spring clip
14	31-92553-00	Fan	39	31-76255-00	Gas inlet connector 3/4"
15	31-92777-00	Over heat limiter	42	20-43718-00	Water drain valve assembly
16	31-92125-00	Burner plate cover	43	31-92608-00	Remote control terminal cover
17	41-02425-00	Flue assembly suits model 874027	44	31-86062-00	Outlet connector 3/4"
17a	31-93521-00	Flue Spigot suits model 864627 & 862627	45	10-36316-00	Safety valve
17b	41-02428-00	Air Inlet Hood suits model 864627 & 862627	46	09-76985-00	Outlet thermistor
18	21-38305-00	Anti-frost heater clamp A	47	41-02337-00	Gas type connector – Indoor 27L 55°C NG suits model 864027
19	41-02981-00	Transformer		41-02338-00	Gas type connector – Indoor 27L 55°C LPG suits model 864027
20	41-02261-00	Igniter assembly		41-02797-00	Gas type connector – Indoor 27L 55°C NG suits model 864627
21	10-88398-00	Water control flange		41-02798-00	Gas type connector – Indoor 27L 55°C LPG suits model 864627
22	00-49576-00	Anti-frost heater clamp B		41-02886-00	Gas type connector – Indoor 27L 82°C NG suits model 862627
23	21-30226-00	Anti-frost heater clamp C		41-02887-00	Gas type connector – Indoor 27L 82°C LPG suits model 862627
24	41-02321-00	Anti-frost heater	700	41-02616-00	Burner assembly (upper)
25	10-88399-00	Outlet flange	N/S	09-73211-00	5A fuse
26	01-91237-00	Rubber bush		09-73259-00	3A fuse

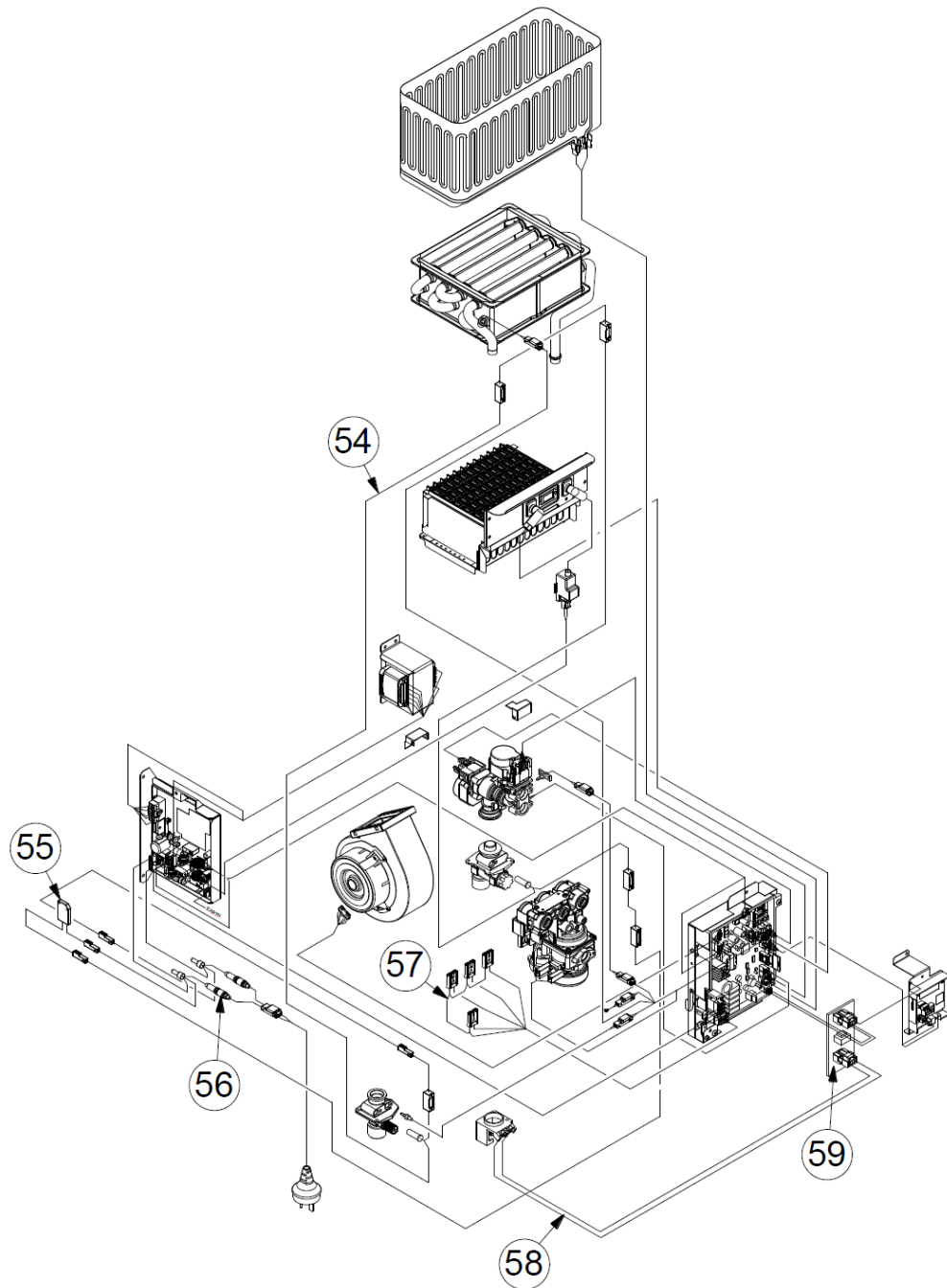
Rheem Spare Parts Manual

Continuous flow external models 874027,874627 & 872627 Mechanical

Item	Part No.	Description	Item	Part No.	Description
1	41-02512-00	Heater cabinet	23	21-38305-00	Anti-frost heater clamp
2	41-02514-00	Front cover	24	41-02321-00	Anti-frost heater clamp
3	41-02711-00	Heat exchanger/combustion chamber kit suits 874027	25	21-30226-00	Anti-frost heater clamp
	41-02714-00	Heat exchanger/combustion chamber kit suits 874627 & 872627	26	00-49576-00	Anti-frost heater clamp
5	31-92912-00	Exhaust flue gasket	27	10-88399-00	Flange suit heat exchanger
6	31-92915-00	Exhaust adapter	28	09-06215-00	O-ring suit heat exchanger
7	31-53195-00	Flue seal packing	29	10-88398-00	Flange suit heat exchanger inlet
8	31-80365-00	Top assembly	30	09-06219-00	O-ring suit heat exchanger inlet
9	41-02412-00	Gas manifold assembly NG	31	31-63579-00	Ambient air thermistor
9	41-02417-00	Gas manifold assembly LPG	32	31-04325-00	Mounting bracket
10	41-02261-00	Igniter assembly	34	31-76652-00	Power lead
11	31-92125-00	Burner cover plate	35	11-24325-00	Spring clip suit water body
12	31-92105-00	PCB bracket	36	20-43624-00	Spring clip suit water inlet
13	41-02960-0S	PCB power supply suits all models	37	09-76931-00	Water inlet thermistor
14	41-02911-0S	PCB suits 874027	38	31-76255-00	Gas connector 3/4"
	41-02490-0S	PCB suits 874627 & 872627	39	41-02241-00	Water inlet connector 3/4"
15	41-02627-00	Gas type connector NG suits 874027 55°C	42	20-43718-00	Water drain valve assembly
	41-02628-00	Gas type connector LPG suits 874027 55°C	43	41-02534-00	Remote control terminal assembly
	41-02787-00	Gas type connector NG suits 874627 55°C	44	31-92608-00	Remote control terminal assembly cover
	41-02788-00	Gas type connector LPG suits 874627 55°C	45	31-86062-00	Water outlet connector 3/4"
	41-02888-00	Gas type connector NG suits 872627 82°C	46	09-76985-00	Outlet thermistor
	41-02889-00	Gas type connector LPG suits 872627 82°C	47	04-38888-00	Safety valve
17	41-02265-00	O.K. monitor	48	41-02521-00	Proportional gas flow regulating
18	41-02971-00	Transformer assembly	48	09-61260-00	O-ring suit PGFR
19	31-50547-00	Fan	49	20-51136-00	Water body assembly
20	31-92777-00	Over heat limiter	50	20-51138-00	Water bypass assembly
21	31-92244-00	Spring clip (heat exchange thermistor)	700	41-02616-00	Burner assembly (upper)
22	09-76932-00	Heat exchanger thermistor			

Rheem Spare Parts Manual

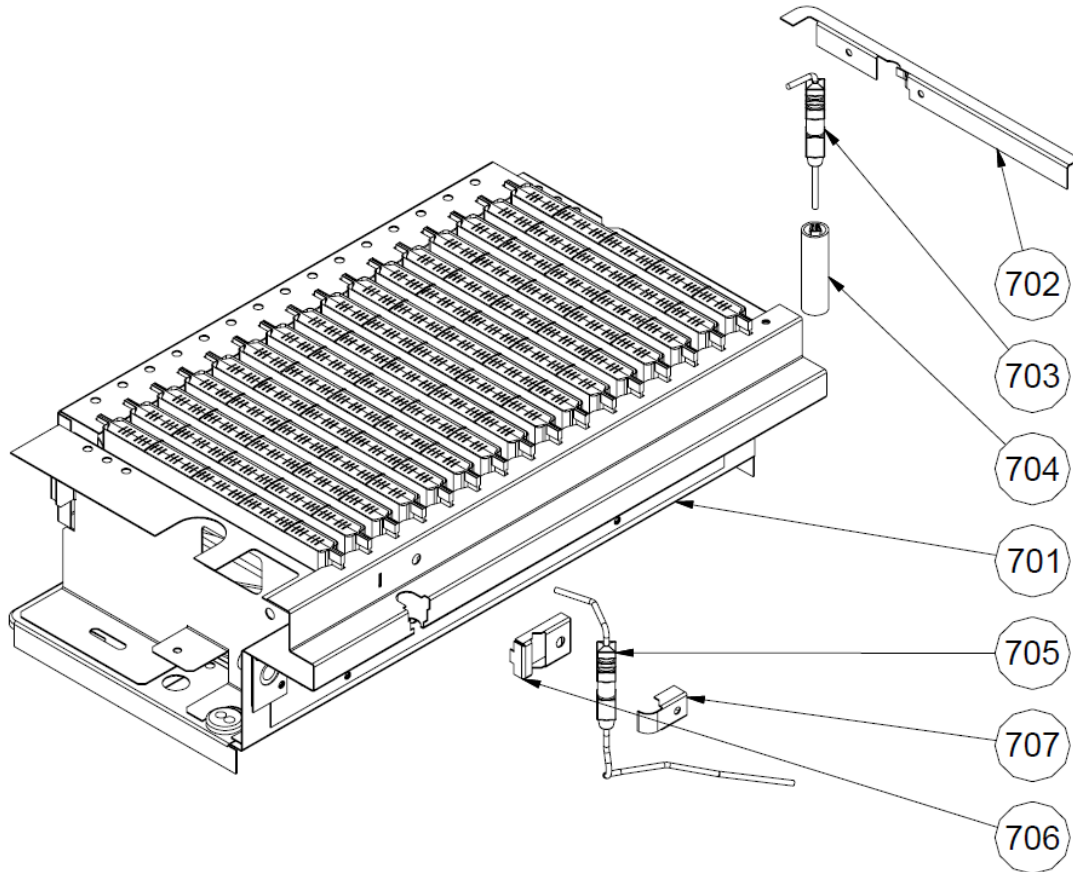
Continuous flow models 864027, 864627, 862627, 874027, 874627, 872627 Electrical



Item	Part No.	Description	Item	Part No.	Description
737	31-63738-00	Flame rod cable A	761	41-02535-00	Relay
748	41-02538-00	Connecting cord	775	09-73211-00	Fuse 5A (power PCB)
755	41-02536-00	110V wiring loom	N/S	09-11147-00	Screw for flame sensor clamp
757	31-92239-00	Wiring loom	N/S	31-92548-00	Rubber bush B (gas manifold)
758	41-02537-00	Signal connecting wire assembly	N/S	31-92547-00	Rubber bush A (gas manifold)
759	09-73259-00	Fuse 3A	N/S	31-64112-00	Bush B (ignition lead)

Rheem Spare Parts Manual

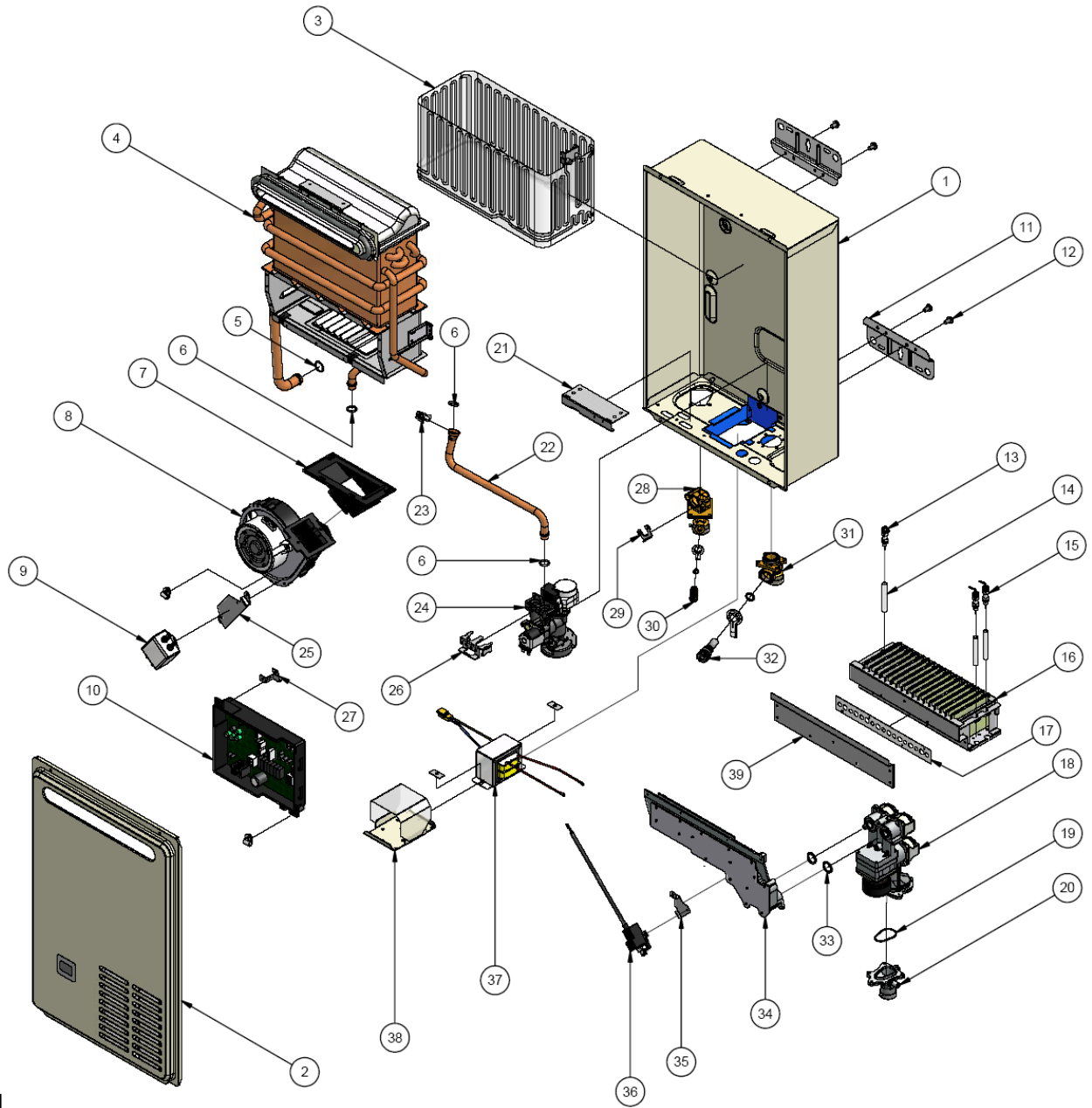
Continuous flow models 864027, 864627, 862627, 874027, 874627, 872627 Burner assembly



Item	Part No.	Description
700	41-02616-00	Burner assembly (includes all parts 1-7)
701	41-02411-00	Nozzle plate NG (Internal models only)
701	41-02416-00	Nozzle plate LPG (Internal models only)
702	31-92072-00	Ignition electrode clamp
703	31-53439-00	Ignition electrode
704	31-53479-00	Silicone tube insulation
705	31-92649-00	Flame sensor electrode
706	21-60419-00	Flame sensor clamp A
707	11-56728-00	Flame sensor clamp B

Rheem Spare Parts Manual

Continuous flow models 874016, 874020, 874616, 874620 Mechanical View



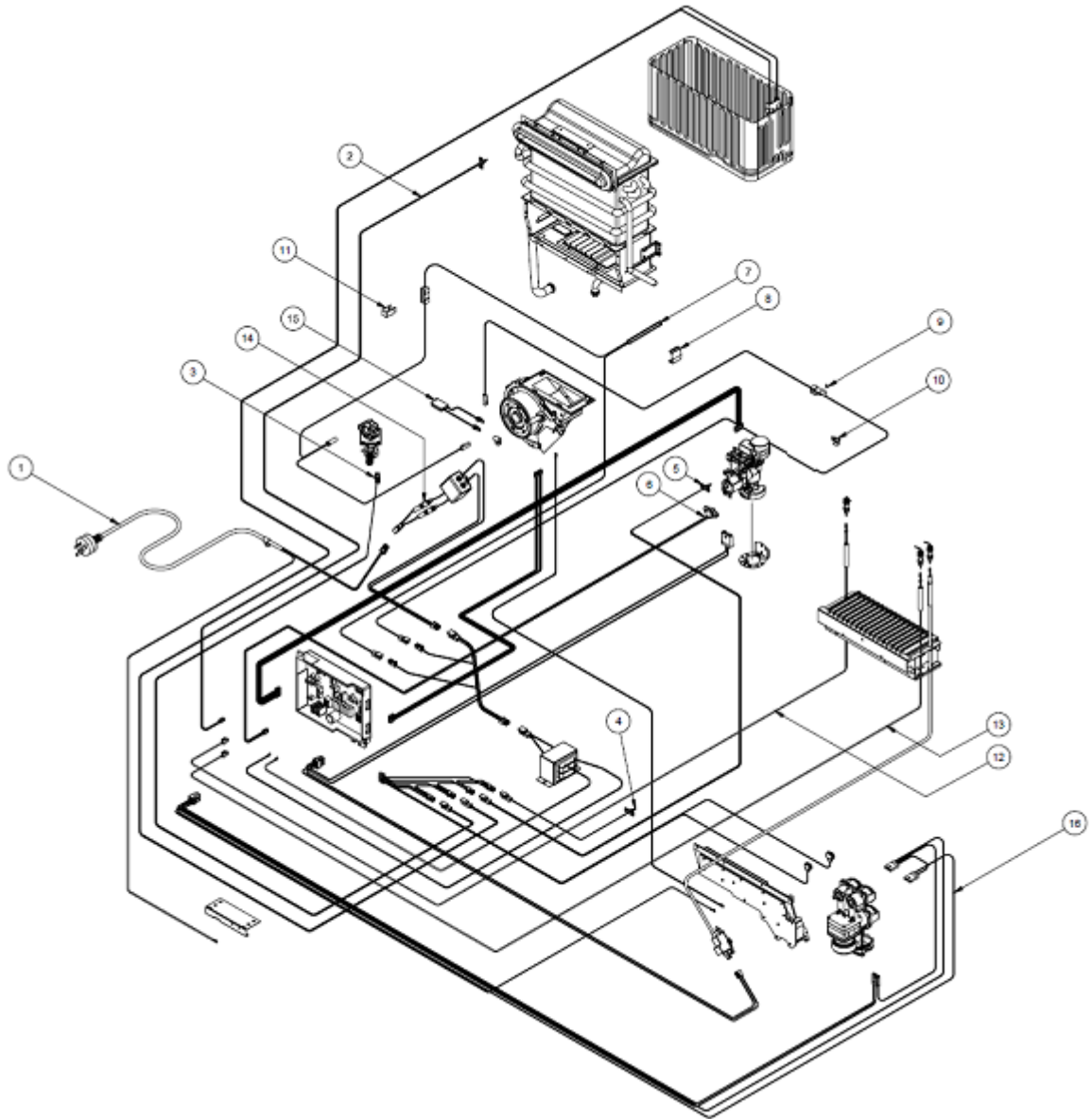
Rheem Spare Parts Manual

Continuous flow models 874016, 874020, 874616, 874620 Mechanical View

Item	Part No.	Description
2	31-86022-00	Front cover assembly
3	31-80280-00	Over heat limiter
4	31-86142-00	Combustion chamber kit NG
	31-86141-00	Combustion chamber kit LPG
5	WH0020034	O-ring P16
6	WH0020035	O-ring P12
8	31-61073-00	Fan assembly
9	31-86104-00	Power filter
10	31-86150-05	PCB to suit 874016 & 874616 NFZ
	31-86150-06	PCB to suit 874016 & 874616 LFZ
	31-86150-07	PCB to suit 874020 & 874620 NFZ
	31-86150-08	PCB to suit 874020 & 874620 LFZ
11	WH0020002	Mounting bracket
12	09-11653-00	Pan head screw 5 x 10mm
13	31-61465-00	Electrode
14	31-53479-00	Silicone tube
15	31-53439-00	Electrode
16	31-66311-00	Upper burner NG
	31-61111-00	Upper burner LPG
17	31-80344-00	Burner damper NG
	31-80359-00	Burner damper LPG
18	31-86051-00	Proportional gas flow regulating valve
19	31-53256-00	Gasket
20	31-86054-00	Gas inlet connector 3/4"
21	31-63097-00	PCB bracket
22	31-86121-00	By-pass connecting assembly
23	31-53347-00	Quick fastener
24	31-86256-00	Water valve
26	10-88332-00	Flange suit water body
27	31-63096-00	PCB bracket
28	31-86062-00	Outlet connector 3/4"
29	10-88399-00	Flange
30	04-38888-00	Safety valve
31	10-65408-00	Inlet connector
32	WH0020024	Drain valve/filter assembly
33	09-03478-00	Gasket
34	31-86046-00	Lower burner NG
34	31-61103-00	Lower burner LPG
36	09-74560-00	Ignition transformer
37	31-86102-00	Supply transformer
38	31-86111-00	Transformer base/bracket
39	31-61065-00	Burner front panel

Rheem Spare Parts Manual

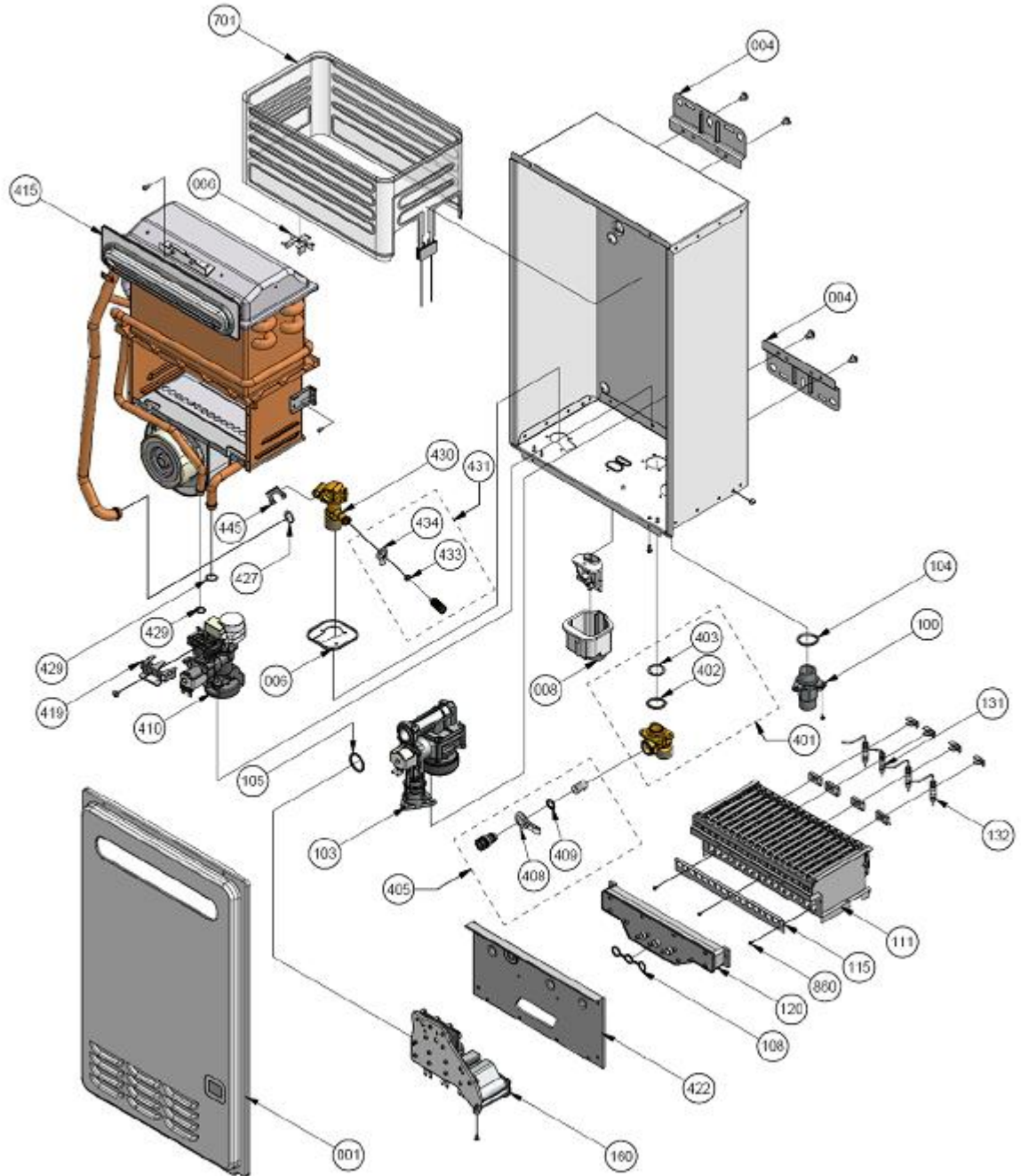
Continuous flow models 874016, 874020, 874616, 874620 Electrical View



Item	Part No.	Description	Item	Part No.	Description
1	31-76652-00	Power cord	9	31-71644-00	Anti-frost heater A
2	09-76934-00	Heat exchanger thermistor	10	N/A	Heater clamp
3	09-76932-00	Outlet thermistor	11	WH0020050	Heater clamp C
4	31-63794-00	Ambient air thermistor	12	31-63738-00	Flame rod cable A
5	09-76931-00	Inlet thermistor	13	31-63739-00	Flame rod cable B
6	31-50245-00	Water flow detector (Hall effect)	14	WH0020069	Fuse 3A 250V
7	31-71643-00	Anti-frost heater B	15	20-57072-00	Anti-frost thermostat
8	WH0020051	Heater clamp B	16	31-86114-00	110V wiring loom

Rheem Spare Parts Manual

Continuous flow models 871624C, 871024C, 874026, 26B Mechanical View



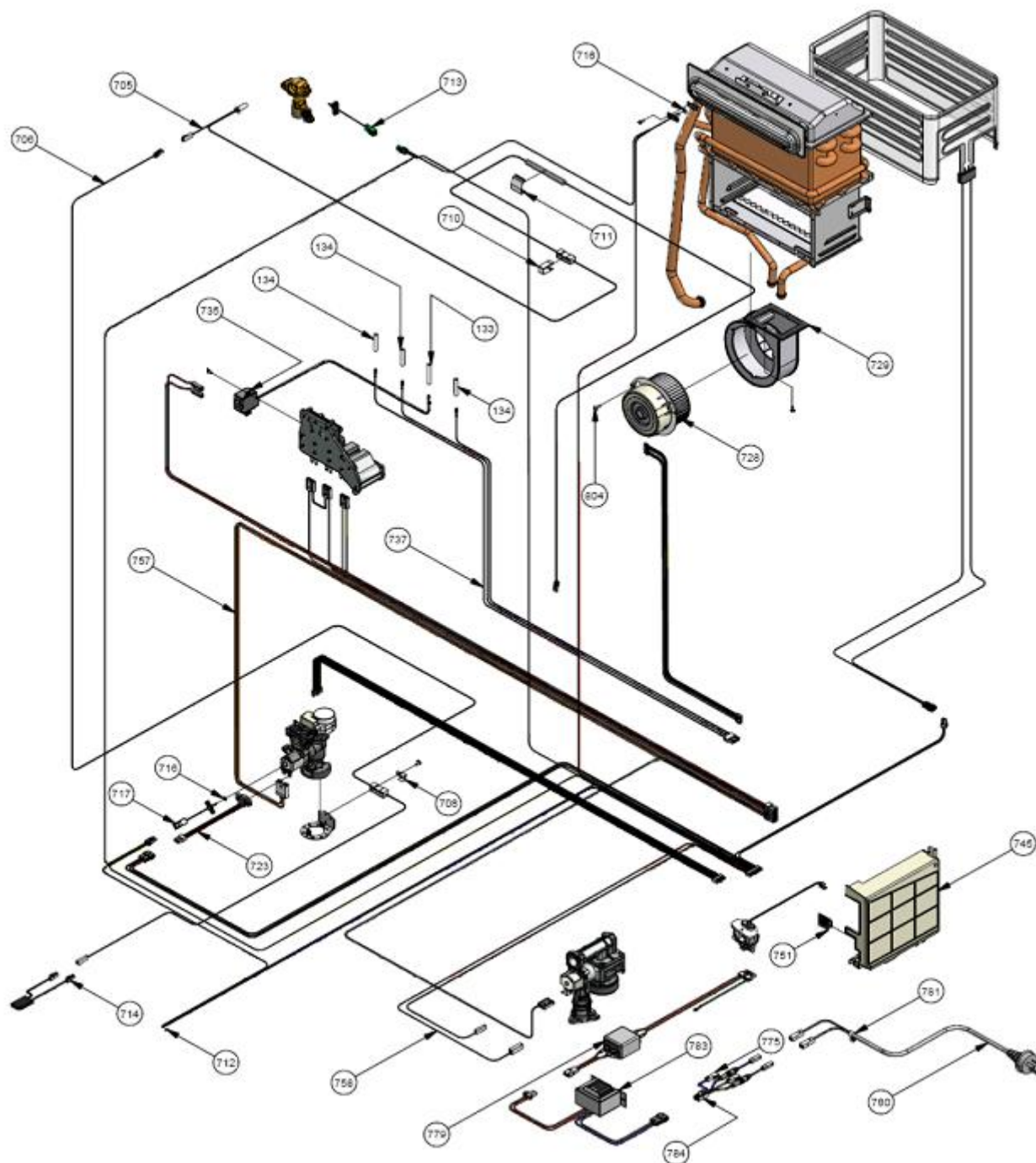
Rheem Spare Parts Manual

Continuous flow models 871624C, 871024C, 874026, 26B Mechanical View

Item	Part No.	Description
001	WH0020000	Front panel 871624C, 871024C, 874026B
	31-76492-00	Front panel 871026
004	WH0020002	Mounting bracket
006	WH0020003	Reinforcing plate
008	WH0020004	Cord connector
066	WH0020005	Fixing plate B
100	31-76255-00	Gas connector ¾"
103	54-02340-00	Proportional gas flow regulating valve
104	WH0020009	O-ring
105	WH0020010	Gasket
108	WH0020012	Gasket
111	31-76231-00	Upper burner
115	31-76238-00	Nozzle plate NG
120	31-76241-00	Lower burner NG
120	31-76240-00	Lower burner LPG
131	31-76236-00	Ignition electrode
132	31-76237-00	Flame rod assembly (3 rods)
160	WH0020020	Burner change-over assembly
401	10-65408-00	Water inlet connector ¾"
402	WH0020022	O-ring
403	WH0020023	Snap ring
405	WH0020024	Water drain valve/filter assembly
408	21-35376-00	Plug band
409	WH0020027	O-ring
410	31-76658-00	Water valve
415	31-76500-00	Heat exchanger/combustion chamber
419	10-88332-00	Flange
422	10-89636-00	Combustion chamber front panel
427	WH0020034	O-ring
429	WH0020035	O-ring
430	31-20192-00	Water outlet connector ¾"
431	04-04764-00	Safety valve
433	WH0020038	O-ring suit safety valve
434	WH0020039	Safety valve band
445	WH0020040	Flange
701	31-79562-00	Over heat limiter
860	09-46131-00	Nozzle plate bind screw 3 x 6mm
N/S	09-14144-00	Truss gasket screw 4 x 10mm

Rheem Spare Parts Manual

Continuous flow models 871624C, 871024C, 874026, 26B Electrical View



Rheem Spare Parts Manual

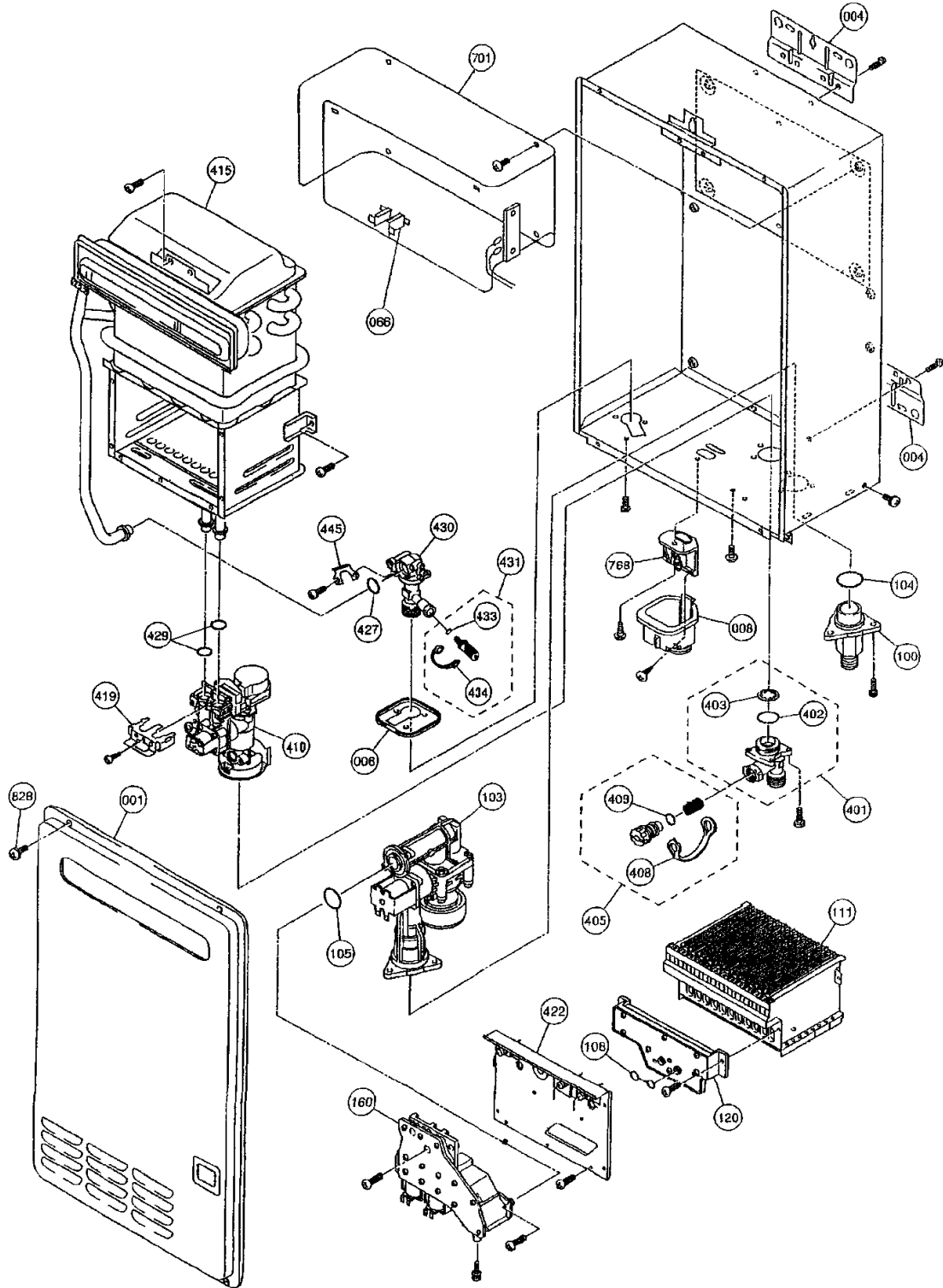
Continuous flow models 871624C, 871024C, 874026, 26B Electrical View

Item	Part No.	Description
133	20-43376-00	Silicone tube insulator
134	20-43376-00	Silicone tube insulator
705	31-71644-00	Anti-frost heater A
706	31-71643-00	Anti-frost heater B
708	WH0020049	Anti-frost heater clamp
710	WH0020050	Anti-frost heater clamp A
711	WH0020051	Anti-frost heater clamp B
712	31-76655-00	Ambient air thermistor
713	20-64774-00	Outlet thermistor B
714	20-57072-00	Anti-frost thermostat
715	31-76655-00	Heat exchanger thermistor
716	WH0020055	O-ring
717	20-64773-00	Inlet thermistor A
723	20-43805-00	Water flow detector (Hall effect)
728	WH0020057	Combustion fan with loom
735	31-76722-00	Ignition transformer
737	31-76721-00	Flame sensor loom
745	31-76623-0S	PCB – suits all models, (all boards are now 6* type.)
751	31-76592-00	Gas type connector NG
751	31-76591-00	Gas type connector LPG
751	31-76543-00	Gas type connector for solar 75° NG
751	31-76558-00	Gas type connector for solar 75° LPG
757	31-76653-00	110 volt Loom
758	31-76655-00	Signal loom (includes air and exchanger thermistor)
775	WH0020069	Fuse
779	31-71642-00	Power filter
780	31-76652-00	Power cord with clamp
781	WH0020072	Power cord clamp
783	31-71646-00	240 -110V transformer
784	31-71641-00	Connecting cord
N/S	WH0020068	Terminal block
N/S	31-23360-00	Noise filter bracket
Gas conversion components		
N/S	31-76241-00	Lower burner assembly NG
N/S	31-76592-00	Gas type connector NG
N/S	31-76238-00	Nozzle plate NG
N/S	09-46131-00	Nozzle plate screws (3 rqd)
N/S	31-76240-00	Lower burner assembly LPG
N/S	31-76591-00	Gas type connector LPG

Rheem Spare Parts Manual

Continuous flow with solenoid bypass Models 871018B - 871020B - 871024B

Post November 2002



Rheem Spare Parts Manual

Continuous with solenoid bypass Models 871018B - 871020B - 871024B

Post November 2002

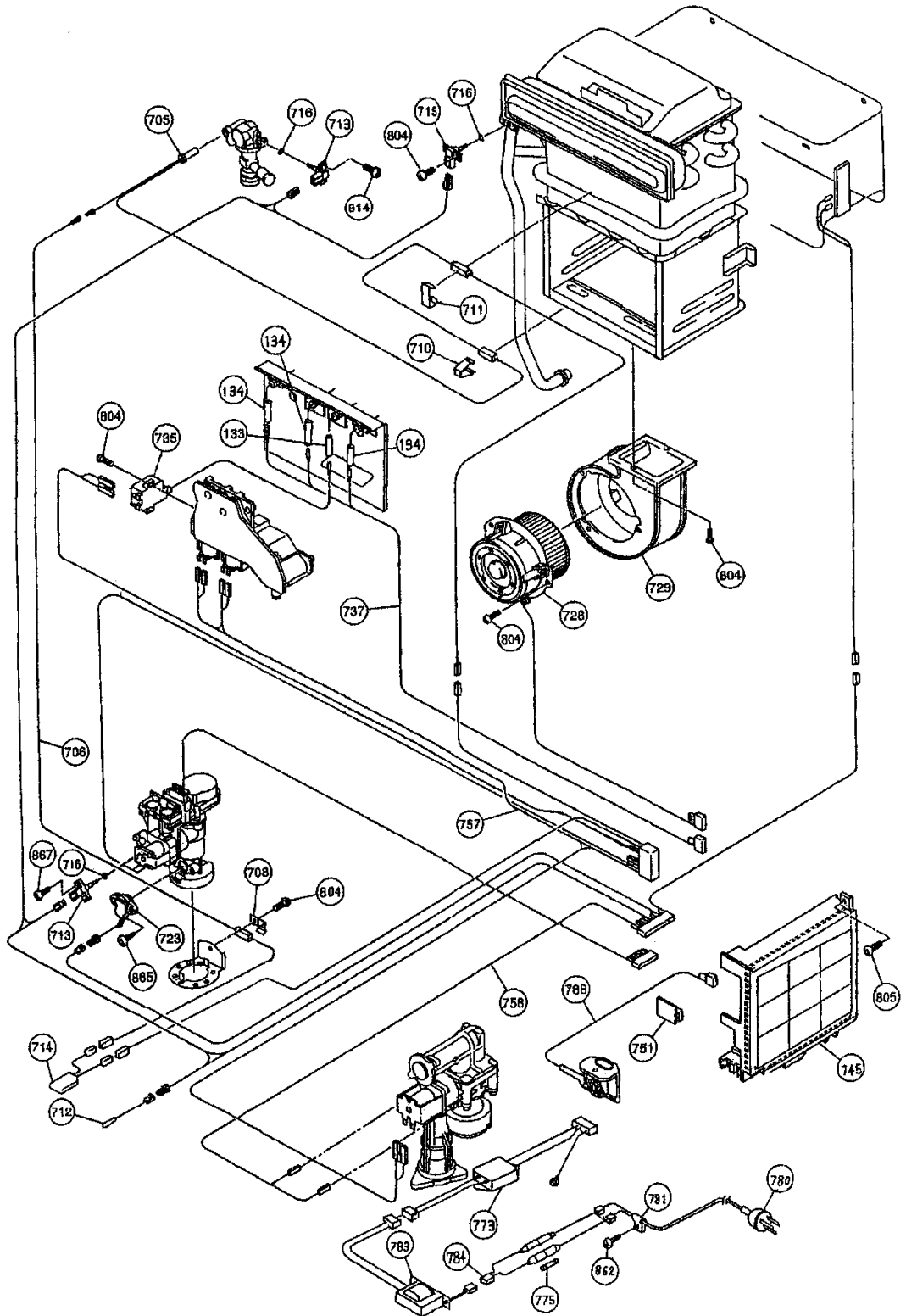
Item	Part No. 18B 20B	Part No. 24B	Description
001	WH0020000		Front panel
004	WH0020002		Mounting bracket
008	WH0020004		Cord connector
100	WH0020006	31-76255-00	Gas inlet connector ¾"
103	54-02340-00		Gas valve (Integrity all models)
104	WH0020009		O-ring
105	WH0020010		Gasket
108	WH0020012		Gasket
111	WH0020013	WH0020014	Upper burner assembly LPG and NG
120	WH0020015	WH0020016	Lower burner assembly NG
120	WH0020017	WH0020018	Lower burner assembly LPG
123	WH0020085	N/A	Primary Air adjuster 18-20L
160	WH0020019	WH0020020	Burner change-over assembly
401	WH0020086	10-65408-00	Water inlet connector (18L ½", 20 & 24L ¾")
402	WH0020022		O-ring
403	WH0020023		Snap ring
405	WH0020024		Water drain valve/water filter
408	21-35376-00		Plug band
409	WH0020027		O-ring
410	WH0020177		Water body assembly
415	WH0020178	WH0020179	Heat exchanger/combustion chamber kit
419	WH0020031		Flange
422	WH0020032	WH0020033	Combustion chamber front panel
427	WH0020034		O-ring
429	WH0020035		O-ring
430	WH0020087	31-20192-00	Water outlet connector (18L ½", 20 & 24L
431	04-04764-00		Safety valve
433	WH0020038		O-ring
434	WH0020039		Safety valve band
445	WH0020040		Flange
701	WH0020042	31-79562-00	Over heat limiter
768	WH0020043		Terminal block
828	09-14144-00		Truss gasket screw 4 x 10 mm

Rheem Spare Parts Manual

Continuous flow with solenoid bypass Models 871018B - 871020B - 871024B

Electrical

Post November 2002



Rheem Spare Parts Manual

Continuous flow with solenoid bypass Models 871018B - 871020B - 871024B

Electrical

Post November 2002

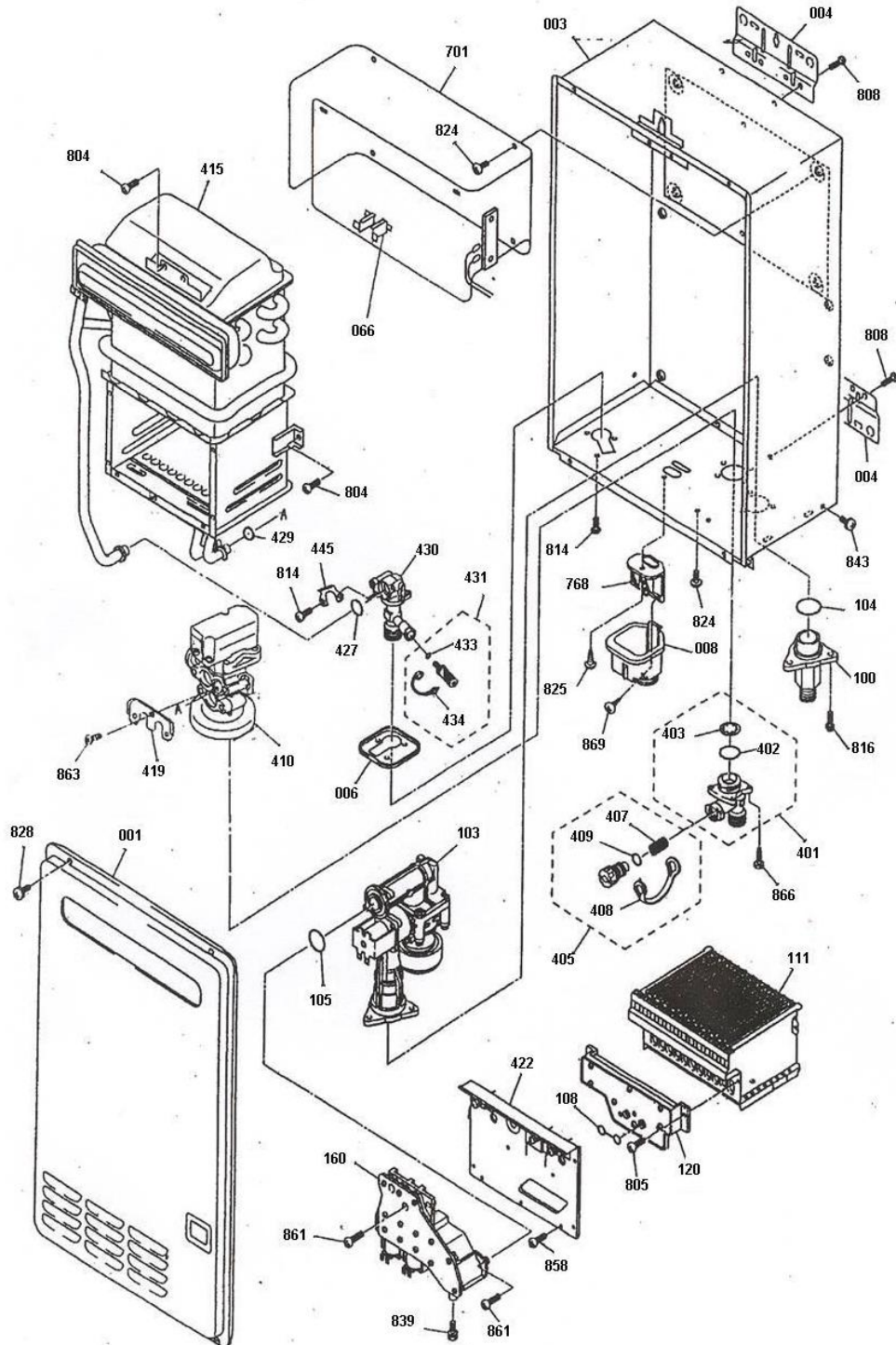
Item	Part No. 18B-20B	Part No. 24B	Description
133	WH0020045	20-43376-00	Silicone tube insulator
134	WH0020046	20-43376-00	Silicone tube insulator
705	WH0020047	31-71644-00	Anti-frost heater clamp
706	WH0020088	31-71643-00	Anti-frost heater clamp
708	WH0020049		Anti-frost heater clamp
710	WH0020050		Anti-frost heater clamp C
711	WH0020051		Anti-frost heater clamp
712	WH0020052	31-76655-00	Signal loom
713	WH0020181	20-64774-00	Outlet thermistor B
714	WH0020054	20-57072-00	Anti-frost thermostat
715	WH0020180	31-76655-00	Inlet and heat exchanger thermistor
716	WH0020055		Thermistor O-ring
723	WH0020056	20-43805-00	Water flow detector (Hall effect)
728	WH0020057		Combustion fan with loom
729	WH0020058	10-88629-00	Fan case
735	WH0020059	31-76722-00	Ignition transformer
737	WH0020060	31-76721-00	Flame sensor loom
745	31-76623-0S		PCB
751	WH0020184	WH0020186	Gas type connector NG
751	WH0020183	WH0020185	Gas type connector LPG
757	31-76653-00		110V loom
758	31-76655-00		Signal loom (includes thermistors)
771	31-23360-00		Noise filter bracket
771	31-71642-00		Noise filter
775	WH0020069		Fuse
780	31-76652-00		Power cord with clamp
781	WH0020072		Power cord clamp
783	31-71646-00		240 – 110V transformer
784	31-71641-00		Connecting cord
N/S	WH0020188		Gas conversion kit – LPG to NG 18B & 20B
N/S		WH0020189	Gas conversion kit – LPG to NG 24B
N/S	WH0020190		Gas conversion kit – NG to LPG 18B & 20B
N/S		WH0020191	Gas conversion kit – NG to LPG 24B

Rheem Spare Parts Manual

Continuous flow with mechanical Bypass Models 871018 - 871020 - 871024

Mechanical

Discontinued 2002



Rheem Spare Parts Manual

Continuous flow with mechanical bypass Models 871018 - 871020 - 871024

Mechanical

Discontinued 2002

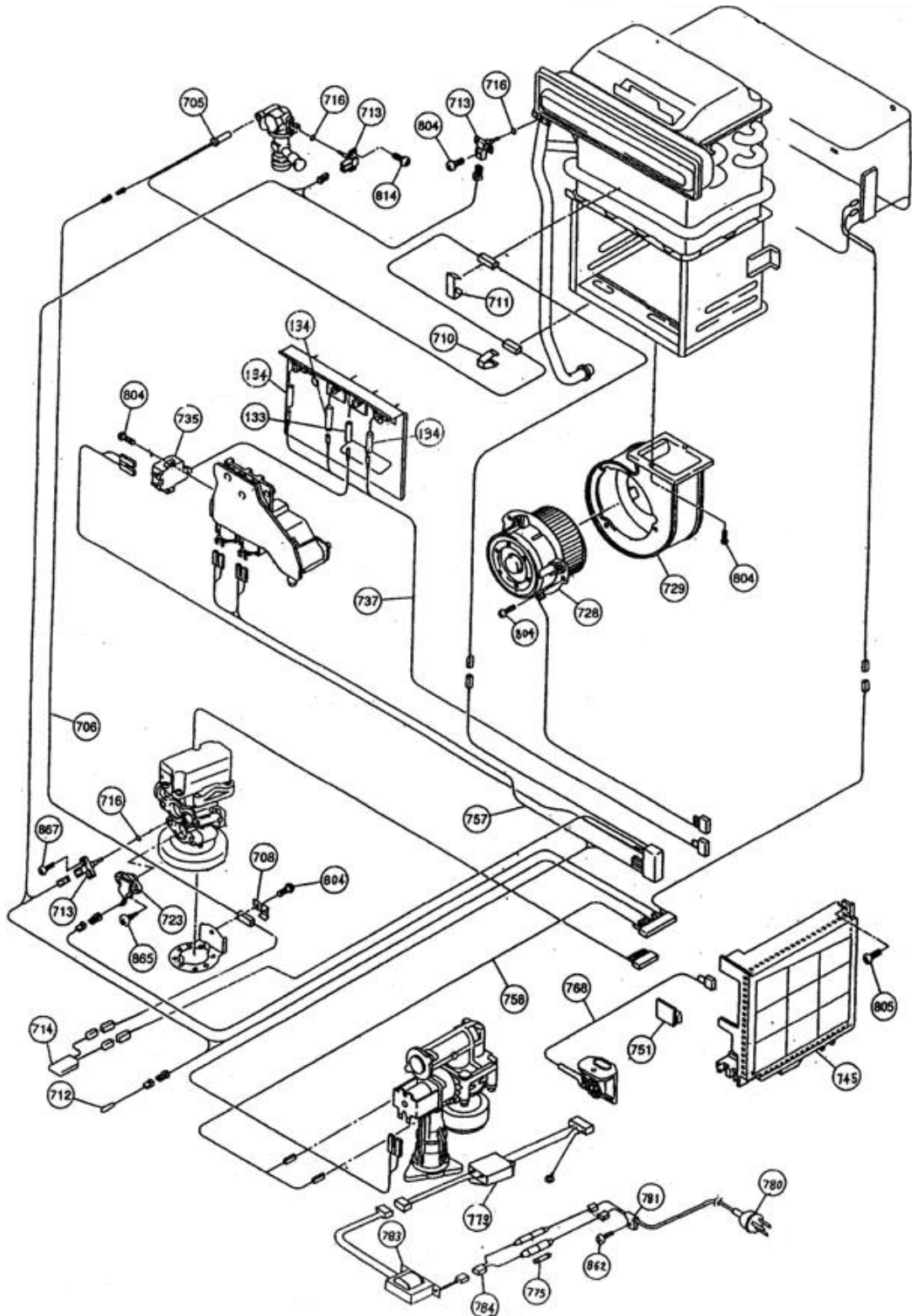
Item	Part No. A871018-020	Part No. A871024	Description
001	WH0020000	31-76496-00	Front cover
004	WH0020002		Mounting bracket
006	WH0020003		Reinforcing plate
008	WH0020004		Cord connector
066	WH0020005		Fixing plate B
099	WH0020182		PCB 18 – 24L
100	WH0020006		Gas inlet connector
103	54-02340-00		Proportional gas flow regulating valve
104	WH0020009		O-ring
105	WH0020010		Gasket
108	WH0020012		Gasket
111	WH0020013	WH0020014	Upper burner assembly
120	WH0020015	WH0020016	Lower burner assembly NG
120	WH0020017	WH0020018	Lower burner assembly LPG
123	WH0020085	N/A	Primary air adjuster
160	WH0020019	WH0020020	Burner change-over assembly
401	WH0020021		Water inlet connector 20-24L 3/4"
401	WH0020086	N/A	Water inlet connector 18L 1/2"
402	WH0020022		O-ring
403	WH0020023		Snap ring
405	WH0020024		Water drain valve/filter assembly
407	N/A	N/A	Water filter (use WH0020024)
409	WH0020027		O-ring
410	WH0020028		Water valve
415	WH0020029	WH0020030	Heat exchanger/combustion chamber kit
419	WH0020031		Flange suit water valve
422	WH0020032	WH0020033	Combustion chamber front panel
427	WH0020034		O-ring suit outlet connector
429	WH0020035		O-ring
430	WH0020036		Water outlet connector 20-24L 3/4"
430	WH0020087	N/A	Water outlet connector 18L 1/2"
431	WH0020037		Safety valve
433	WH0020038		O-ring suit relief valve
434	WH0020039		Safety valve band
445	WH0020040		Flange suit outlet connector
701	WH0020042		Over heat limiter
768	WH0020043		Terminal block
828	WH0020044		Truss gasket screw 4 x 10mm

Rheem Spare Parts Manual

Continuous flow with mechanical bypass Models 871018 - 871020 - 871024

Electrical

Discontinued 2002



Rheem Spare Parts Manual

Continuous flow with mechanical bypass Models 871018 - 871020 - 871024

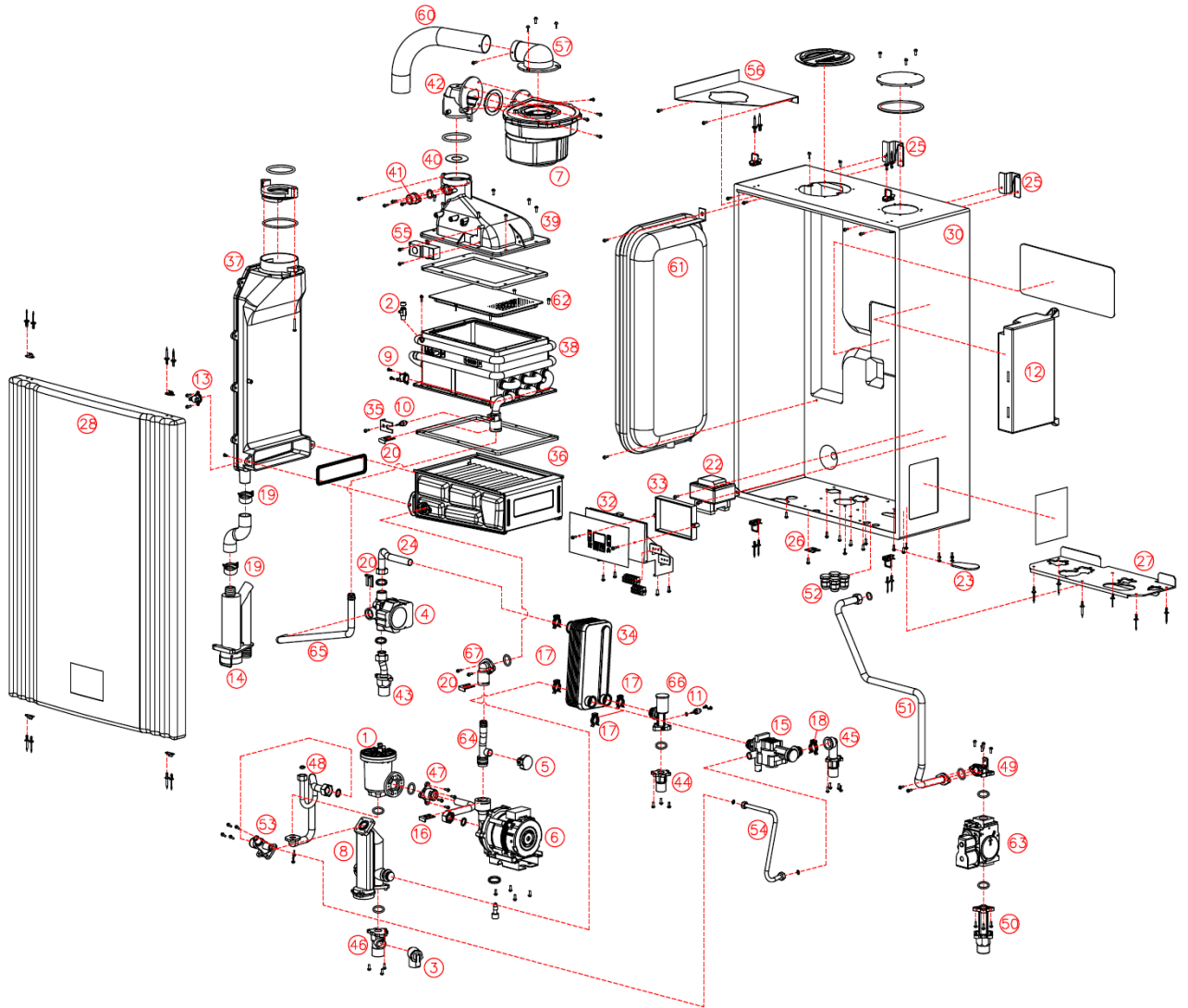
Electrical

Discontinued 2002

Item	Part No. A871018-020	Part No. A871024	Description
133	WH0020045		Silicone tube insulator
134	WH0020046		Silicone tube insulator
705	WH0020047		Anti-frost heater
706	WH0020088	WH0020048	Anti-frost heater
708	WH0020049		Anti-frost heater clamp
710	WH0020050		Anti-frost heater clamp C
711	WH0020051		Anti-frost heater clamp
712	WH0020052		Ambient air temperature
713	WH0020053		Outlet thermistor
714	WH0020054		Anti-frost thermostat
715	WH0020181		Inlet and heat exchanger
716	WH0020055		O-ring
723	WH0020056		Water flow sensor (Hall effect)
728	WH0020057		Combustion fan with loom
729	WH0020058		Fan case
735	WH0020059		Ignition transformer
737	WH0020060	WH0020061	Flame sensor loom
745	WH0020182	31-76623-0S	PCB
751	WH0020064	WH0020063	Gas type connector NG
751	WH0020065	WH0020078	Gas type connector LPG
757	WH0020089	WH0020066	110V Loom
758	WH0020067		Signal loom
775	WH0020069		Fuse
773	WH0020079		Power filter
780	WH0020071		Power cord with clamp
781	WH0020072		Power cord clamp
783	WH0020073		240-110V transformer
N/S	WH0020074	WH0020075	Gas conversion kit LPG to NG
N/S	WH0020076	WH0020077	Gas conversion kit NG to LPG
N/S	WH0020004		Cord connector

Rheem Spare Parts Manual

Saturn condensing boiler 201 KCA



Rheem Spare Parts Manual

Saturn condensing boiler 201 KCA

Item	Part No.	Description	Item	Part No.	Description
1	Not available	Heating air vent	37	Not available	Flue duct
2	BH2507005A	Manual air vent	38	PAC201KCA-042	Primary heat exchanger
3	BH0905007A	Pressure relief valve	39	Not available	Mixing chamber
4	BH0902014A	3-Way valve	40	BH2501393A	Orifice
5	BH1405001A	Pressure sensor	40	BH2501194A	Orifice
6	BH1101020A	Pump	41	BH2501391A	Nozzle
7	BH1112003A	Fan	41	BH2501388A	Nozzle
8	Not available	Heating strainer	42	Not available	Fan outlet adapter
9	BH1401014A	High limit sensor	43	Not available	Heating connection fitting
10	BH1403007A	Heating temp. sensor	44	Not available	DHW supply connection
11	BH1403031A	DHW temp. sensor	45	Not available	DHW inlet connection
12	NACR1GS80201	Controller	46	Not available	Heating return connection
13	BH1401014A	Flue high limit sensor	47	Not available	Air-vent outlet adapter
14	Not available	Siphon	48	Not available	Air-vent inlet pipe
15	BH1410004A	DHW flow switch	49	Not available	Gas valve outlet fitting
16	BH2507013A	Pipe clip (Large)	50	Not available	Gas valve inlet fitting
17	BH2507016A	Pipe clip A	51	Not available	Gas inlet pipe
18	BH2507017A	Pipe clip B	52	BH2507188A	Grommet
19	Not available	Hose clip	53	Not available	Strainer outlet fitting
20	BH2507012A	Pipe clip (small)	54	Not available	Water fill pipe
22	BH1205004A	Fan transformer	55	BH1201023A	Ignition transformer
23	Not available	Flow switch gasket	56	Not available	Flue plate
24	Not available	Heating pipe assembly	57	Not available	Fan inlet adapter
25	Not available	Bottom bracket	60	Not available	Intake tube
26	Not available	Drain cock bracket	61	BH3101003A	Expansion tank
27	Not available	Reinforcing plate	62	BBXCC088004	Burner assembly
28	BBR15012033	Front cover	63	BH0901010A	Gas control valve
30	Not available	Cabinet	64	Not available	Heat ex. inlet pipe
32	BH2505172A	Panel assembly	65	Not available	Heat ex. outlet pipe
33	Not available	PCB display cover	66	Not available	DHW supply pipe
34	PAS200STS-003	DHW heat exchanger	67	Not available	Heat ex inlet adapter
35	Not available	Heat exchanger bracket	69	Not available	Condensate tube
36	BH2501234A	Latent heat exchanger			

Rheem Spare Parts Manual

Saturn condensing boiler 301 KCA

Item	Part No.	Description	Item	Part No.	Description
1	Not available	Heating air vent	37	Not available	Flue duct
2	BH2507005A	Manual air vent	38	PAC301KCA-044	Primary heat exchanger
3	BH0905007A	Pressure relief valve	39	Not available	Mixing chamber
4	BH0902014A	3-Way valve	40	BH2501205A	Orifice
5	BH1405001A	Pressure sensor	40	BH2501392A	Orifice
6	BH1101020A	Pump	41	BH2501102A	Nozzle
7	BH1112003A	Fan	41	BH2501390A	Nozzle
8	Not available	Heating strainer	42	Not available	Fan outlet adapter
9	BH1401014A	High limit sensor	43	Not available	Heating connection fitting
10	BH1403007A	Heating Temp. sensor	44	Not available	DHW supply connection
11	BH1403031A	DHW temp. sensor	45	Not available	DHW inlet connection
12	NACR1GS80201	Controller	46	Not available	Heating return connection
13	BH1401014A	Flue high limit sensor	47	Not available	Air-vent outlet adapter
14	Not available	Siphon	48	Not available	Air-vent inlet pipe
15	BH1410004A	DHW flow switch	49	Not available	Gas valve outlet fitting
16	BH2507013A	Pipe clip (large)	50	Not available	Gas valve inlet fitting
17	BH2507016A	Pipe clip A	51	Not available	Gas inlet pipe
18	BH2507017A	Pipe clip B	52	BH2507188A	Grommet
19	Not available	Hose clip	53	Not available	Strainer outlet fitting
20	BH2507012A	Pipe clip (small)	54	Not available	Water fill pipe
22	BH1205004A	Fan transformer	55	BH1201023A	Ignition transformer
23	Not available	Flow switch gasket	56	Not available	Flue plate
24	Not available	Heating pipe assembly	57	Not available	Fan inlet adapter
25	Not available	Bottom bracket	60	Not available	Intake tube
26	Not available	Drain cock bracket	61	BH3102010A	Expansion tank
27	Not available	Reinforcing plate	62	BBXCC088006	Burner assembly
28	BBR15012034	Front cover	63	BH0901010A	Gas control valve
30	Not available	Cabinet	64	Not available	Heat ex. inlet pipe
32	BH2505172A	Panel assembly	65	Not available	Heat ex. outlet pipe
33	Not available	PCB display cover	66	Not available	DHW supply pipe
34	PAS300STS-005	DHW heat exchanger	67	Not available	Heat ex. inlet adapter
35	Not available	Heat exchanger bracket	69	Not available	Condensate tube
36	BH2501236A	Latent heat exchanger			

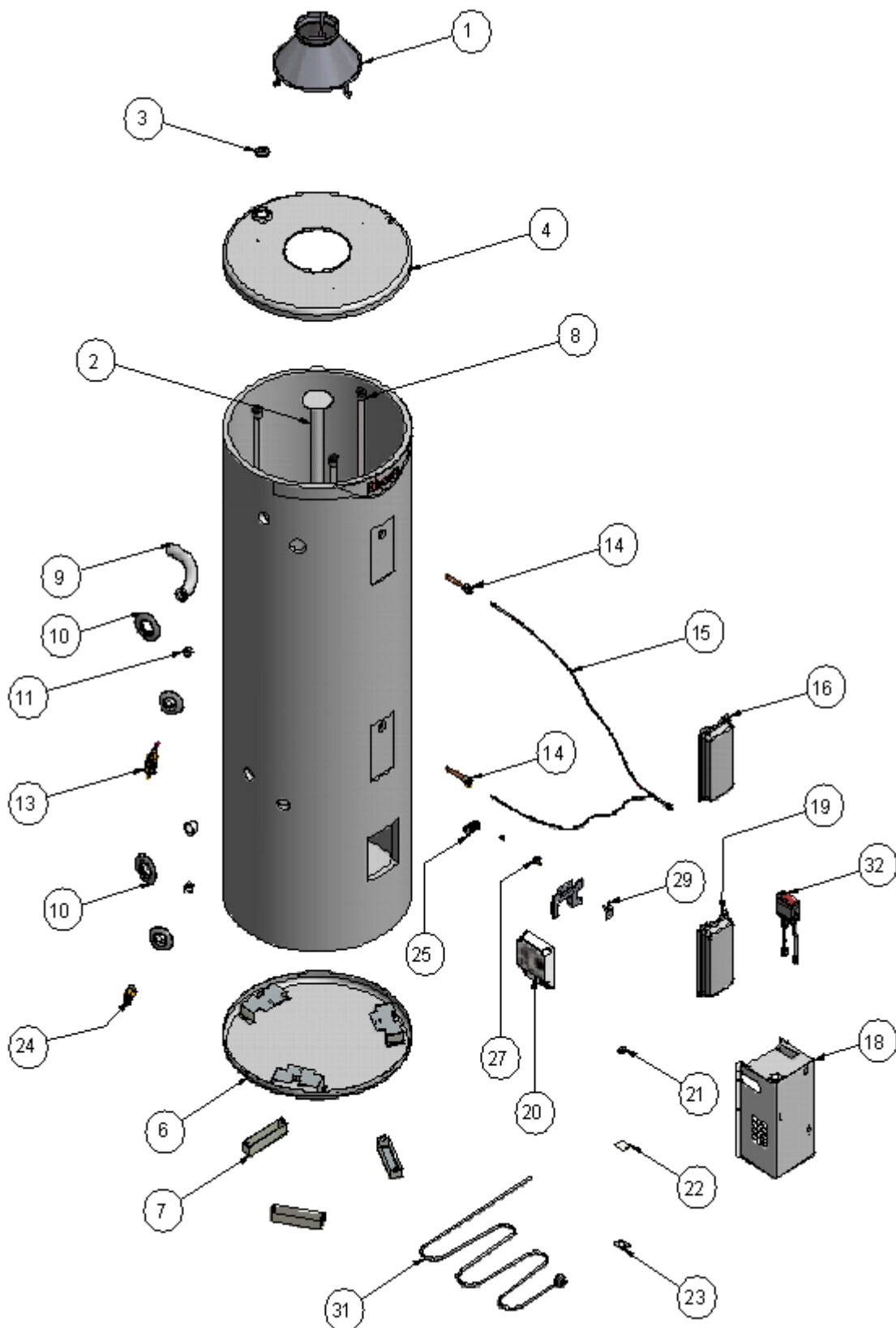
Rheem Spare Parts Manual

Commercial gas model A631265 Exterior 265L

Item	Part No.	Description
1	221735	Foam cover
2	221914	Anode x 3 (black) 1153mm
2	221924	Anode x 3 (blue) 1153mm
3	101217-1	Jacket top
4	108158-1	Jacket base
5	108107	Foot
6	220511	Dip tube
7	221406-1	Inlet/outlet pipe seal
8	229460	Fitting liner ¾"
10	220604	TPRV HTE715-717 1000kPa ¾"
11	229450	Inlet fitting liner
13	224813	Drain cock
14	079427	Drywell pocket
15	890280	Temperature sensor set
16	100701-1	Access panel (lower)
18	108177	ECO bracket
19	053008	ECO thermostat manual reset
20	051601	Terminal block
22	108090-1	Air duct
23	120806	Name band
24	108268	Electric access panel (upper)
25	108269	Thermostat rain shield
26	890279	Electronic thermostat
27	104599-1	Burner access panel
28	108352-1	Burner access panel
29	108204	Air duct base
30	080063	Grommet
31	108172-1	Air duct top
33	053001	Cord set
34	108266	Ignition module rain guard
35	079612	Control module W/Rodgers 50A72-298 (male connector)
36	108164-1	Flue terminal
38	080016	Window
39	108258	Window clamp
40	100704-1	Access panel (upper)
N/S	108263	Rain guard
N/S	052923	Electronic thermostat wiring assembly
N/S	052927	Wiring loom
N/S	052930	Wire ECO (pre 2004)

Rheem Spare Parts Manual

Commercial gas model A621265 Interior 265L



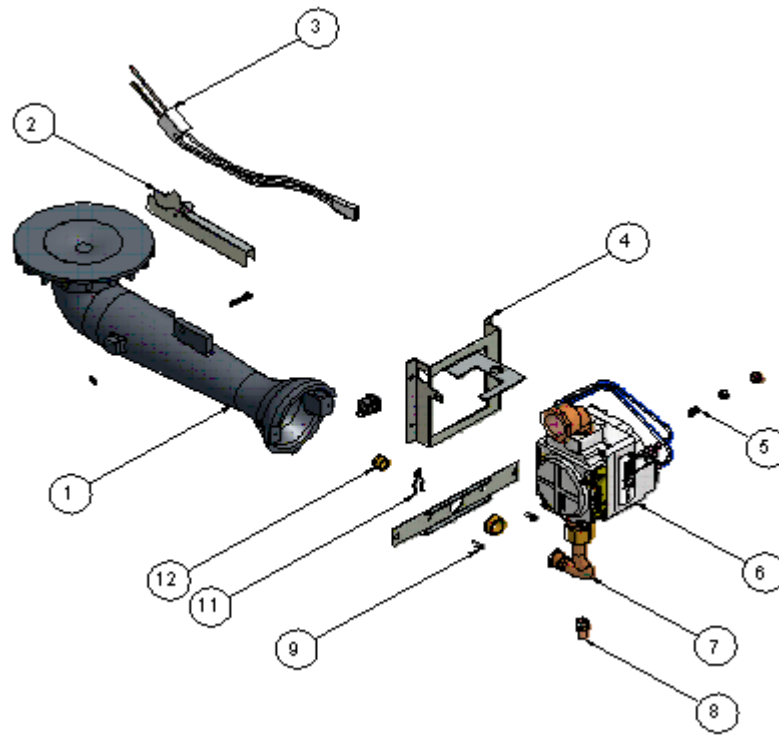
Rheem Spare Parts Manual

Commercial gas model A621265 Interior 265L

Item	Part No.	Description
1	108113	Draught diverter
2	108189	Flue baffle
3	221735	Foam cover
4	101217-1	Jacket top
6	108158-1	Jacket base
7	108107	Foot
8	221914	Anode (black) 1153mm
8	221924	Anode (blue) 1153mm
9	220511	Dip tube
10	221406-1	Inlet/outlet pipe seal
11	229460	Fitting liner ¾"
13	220604	TPRV HTE715-717 1000kPa ¾"
14	079427	Drywell pocket
15	890280	Thermostat sensor probes
16	100704-1	Electrics cover upper
18	108354	Gas control cover
19	100701-1	Electrics cover lower
20	079612	W/Rodgers controller 50A72-298 (male connector)
21	087016	Gasket
22	080016	Window
23	108258	Window clamp
24	224813	Drain cock
25	051602	Terminal block
27	053008	ECO thermostat manual reset
29	108177	ECO bracket
31	053001	Cord set
32	890279	Electronic thermostat
N/S	052922	Electronic thermostat wiring loom
N/S	052927	Wiring Loom
N/S	052723	Bridging Wire
N/S	052930	ECO Wire (pre 2004)

Rheem Spare Parts Manual

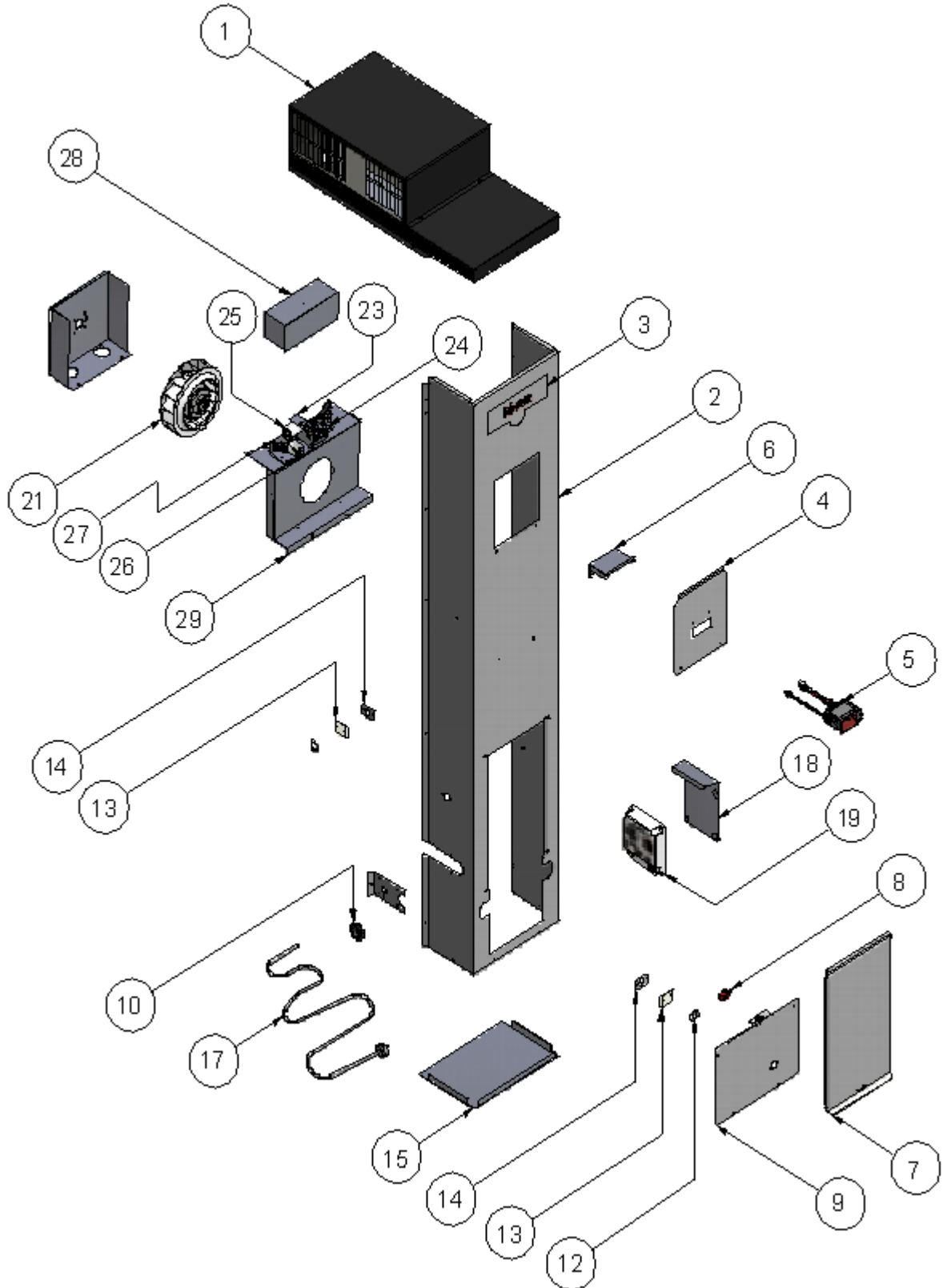
Commercial gas models A621265 – A631265 Burner assembly



Item	Part No.	Description
1	074453	Burner
2	145403	Igniter clamp
3	071420	HSI igniter and flame rod
4	079411	Gas control bracket
5	079520	Regulator spring LPG
	079530	Regulator spring NG
6	079500	W/Rodgers gas valve 36C90H-408
7	079510	Burner feed pipe
8	079506	Pressure test point
9	088009	Rivet
11	088003	Spring clip
12	073502	Main burner injector ½" X 4.8 mm NG
12	073504	Main burner injector ½" X 2.5 mm LPG

Rheem Spare Parts Manual

Commercial gas model A631275 Flue and air duct exterior 275L



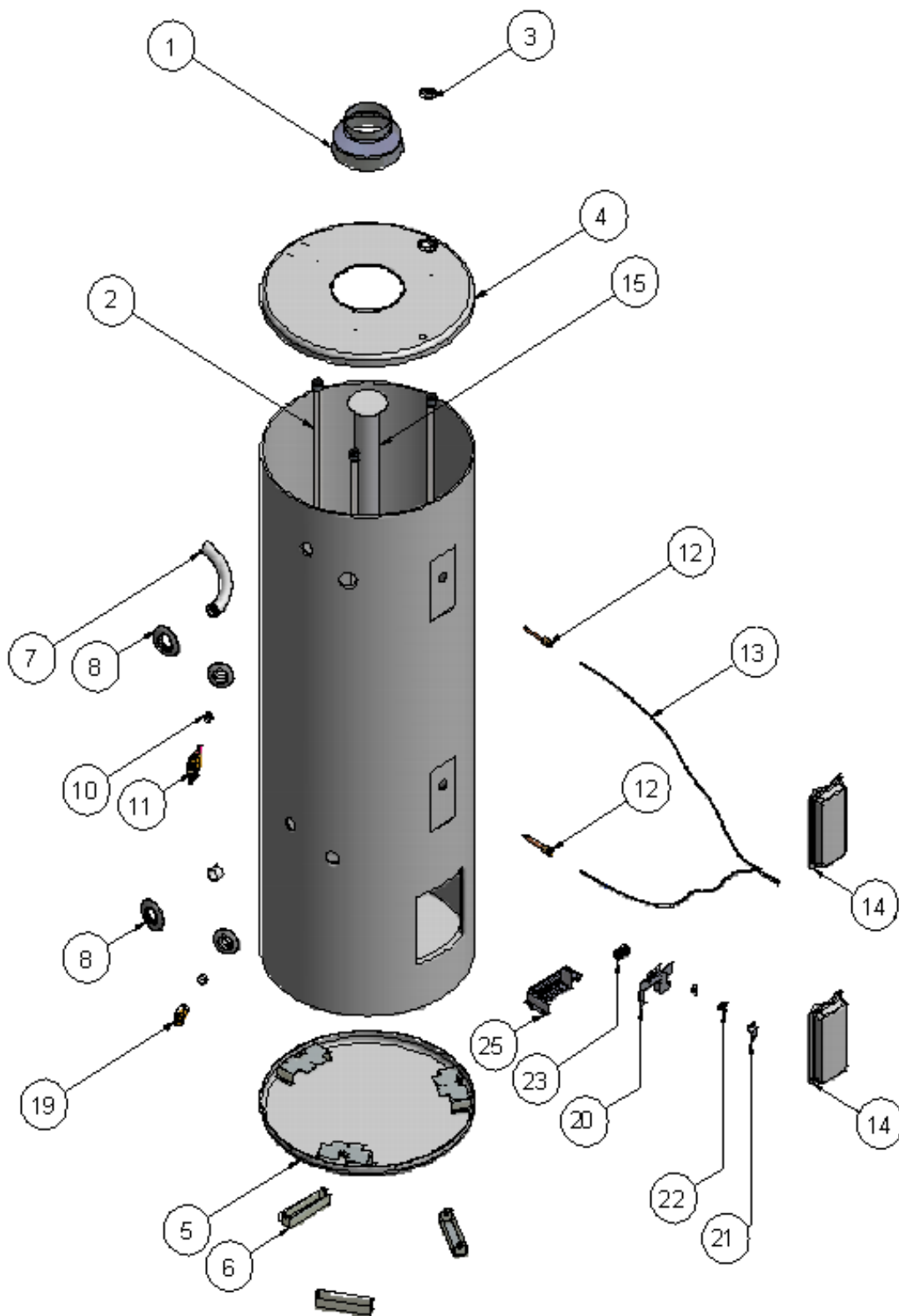
Rheem Spare Parts Manual

Commercial gas model A631275 Flue and air duct exterior 275L

Item	Part No.	Description
1	108249	Flue terminal
2	108092-1	Air duct
3	120806	Name band
4	108268	Access cover upper
5	890279	Thermostat
6	108269	Thermostat rain shield
7	104599-1	Access cover lower
8	054056	Door switch
9	108346-1	Burner access panel
10	080063	Grommet
13	080016	Window insert
14	108258	Sight glass clamp
15	108222	Air duct base
17	053001	Cord set
18	108266	Ignition module rain guard
19	079615	W/Rodgers controller 50A72-178 (post Feb 2005) (female connector)
	079612	W/Rodgers controller 50A72-298 (pre Feb 2005) (male connector)
21	053011	Fan motor
23	108235	Relay bracket
24	053014	Pressure switch
N/S	053015	Pressure impulse tube
25	053047	Capacitor
26	Not Fitted	Relay (post Feb 2005)
	053012	Relay (pre Feb 2005)
27	Not Fitted	Relay base (post Feb 2005)
	053013	Relay base (pre Feb 2005)
28	108236	Relay cover
29	108260	Fan bracket
N/S	052934	Controller wiring loom (post Feb 2005)
	052926	Controller wiring loom (pre Feb 2005)
	052923	Electronic thermostat wiring loom (post Feb 2005)
	N/A	Electronic thermostat wiring loom (pre Feb 2005)
	Not fitted	Fan wiring assembly (post Feb 2005)
	OBSOLETE	Fan wiring assembly (pre Feb 2005)
	052929	Micro switch wire
	052930	ECO wire

Rheem Spare Parts Manual

Commercial gas model A631275 Exterior 275L



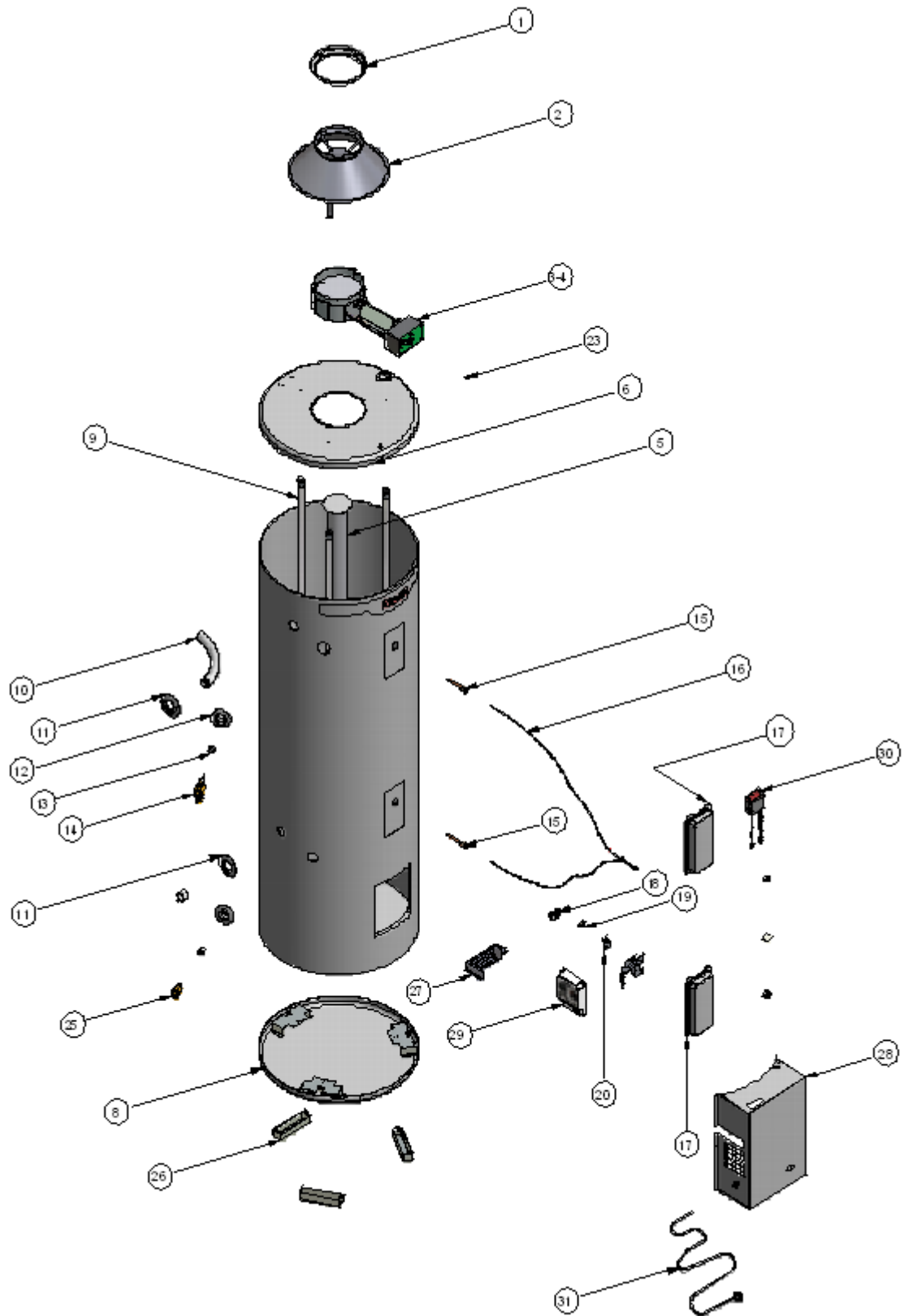
Rheem Spare Parts Manual

Commercial gas model A631275 Exterior 275L

Item	Part Number	Description
1	NS	Flue Spigot
2	221914	Anode (black) 1153mm
	221924	Anode (blue) 1153mm
3	221735	Cover Foam
4	140316-1	Jacket Top
5	108152-1	Jacket Bottom
6	108107	Foot
7	220511	Dip Tube
8	221406-1	Pipe Seal – Inlet & Outlet
10	229460	Fitting Liner ¾"
11	220604	TPRV HTE715-717 1000kPa ¾"
12	079427	Temperature Sensor Adapter Probe (Single)
13	890280	Temperature Sensor Set
14	100701-1	Electrics Front Cover Upper & Lower
15	108154	Flue Baffle
19	224813	Drain Cock
20	108135	Bracket – Thermostat Mount
21	108177	Bracket – ECO Mount
22	053008	ECO Thermostat – Manual Reset
23	051601	Terminal Block – BP 3 Way
25	108603	Heat Shield Assembly – Burner

Rheem Spare Parts Manual

Commercial gas model A621275 Interior 275L



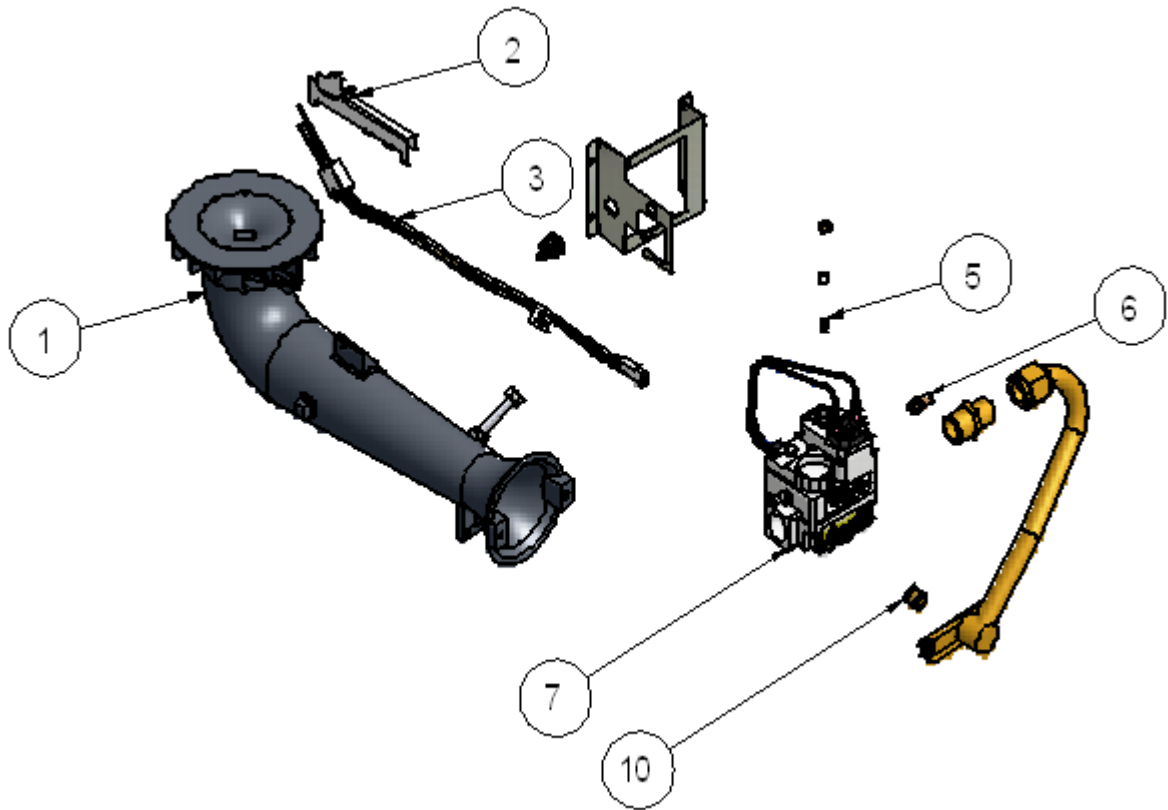
Rheem Spare Parts Manual

Commercial gas model A621275 Interior 275L

Item	Part No.	Description
1	147502	Draught diverter adapter
2	108145	Draught diverter
3	053045	Flue damper assembly (240V)
4	890160	Flue damper actuator only (240V)
4	857465	Flue damper actuator only (24V)
5	108154	Flue baffle
6	140316-1	Jacket top
8	108152-1	Jacket bottom
9	221914	Anode (black) 1153mm
	221924	Anode (blue) 1153mm
10	220511	Dip tube
11	221406-1	Inlet/outlet pipe seal
13	229460	Fitting liner ¾"
14	220604	TPRV HTE715-717 1000kPa ¾"
15	079427	Drywell pocket
16	890280	Temperature sensor set
17	100701-1	Electric access cover (upper and lower)
18	051602	Terminal block
19	053008	ECO thermostat manual reset
20	108177	ECO bracket
23	890305	Flue damper fuse 1.6A
25	224814	Drain cock
26	108107	Foot
27	108603	Heat shield
28	108355	Gas control cover
29	079612	W/Rodgers controller 50A72-298 (male connector)
30	890279	Thermostat
31	053001	Cord set
N/S	052927	Wiring loom
N/S	052924	Thermostat wiring loom
N/S	221735	Foam cover

Rheem Spare Parts Manual

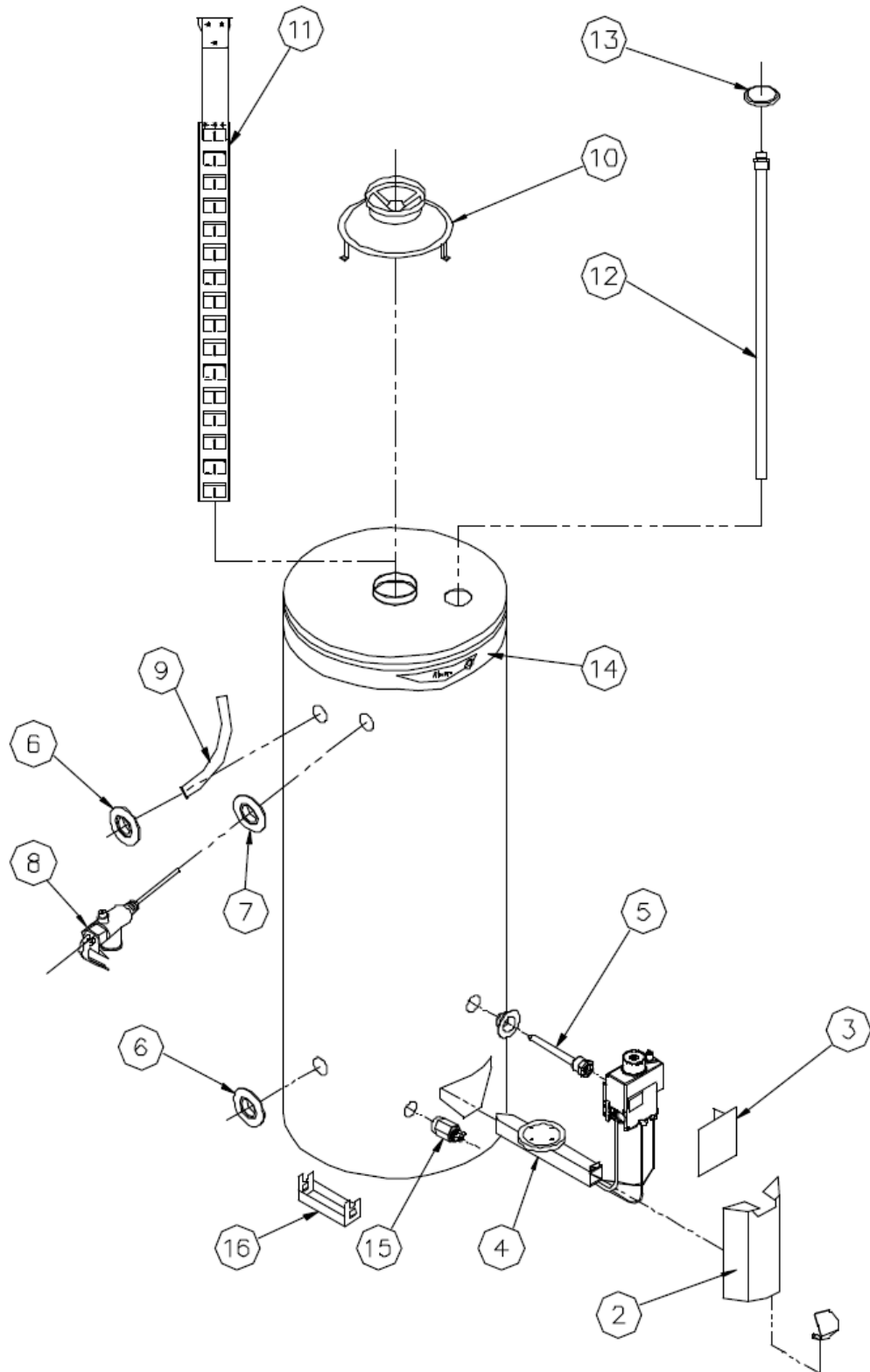
Commercial gas model A631275 Burner 275L



Item	Description	Part No.	
1	Burner Assembly	074454	
2	Igniter Holder	145405	
3	H.S.I. Igniter And Flame Probe	071420	
5	Regulator Spring LPG	079520	
	Regulator Spring NG	079530	
6	Test Point Spigot	079506	
7	Gas Valve – White Rogers	079500	
10	Main Burner Injector	NG	073907
		LPG	073904

Rheem Spare Parts Manual

Commercial gas model A62260 Internal 260L



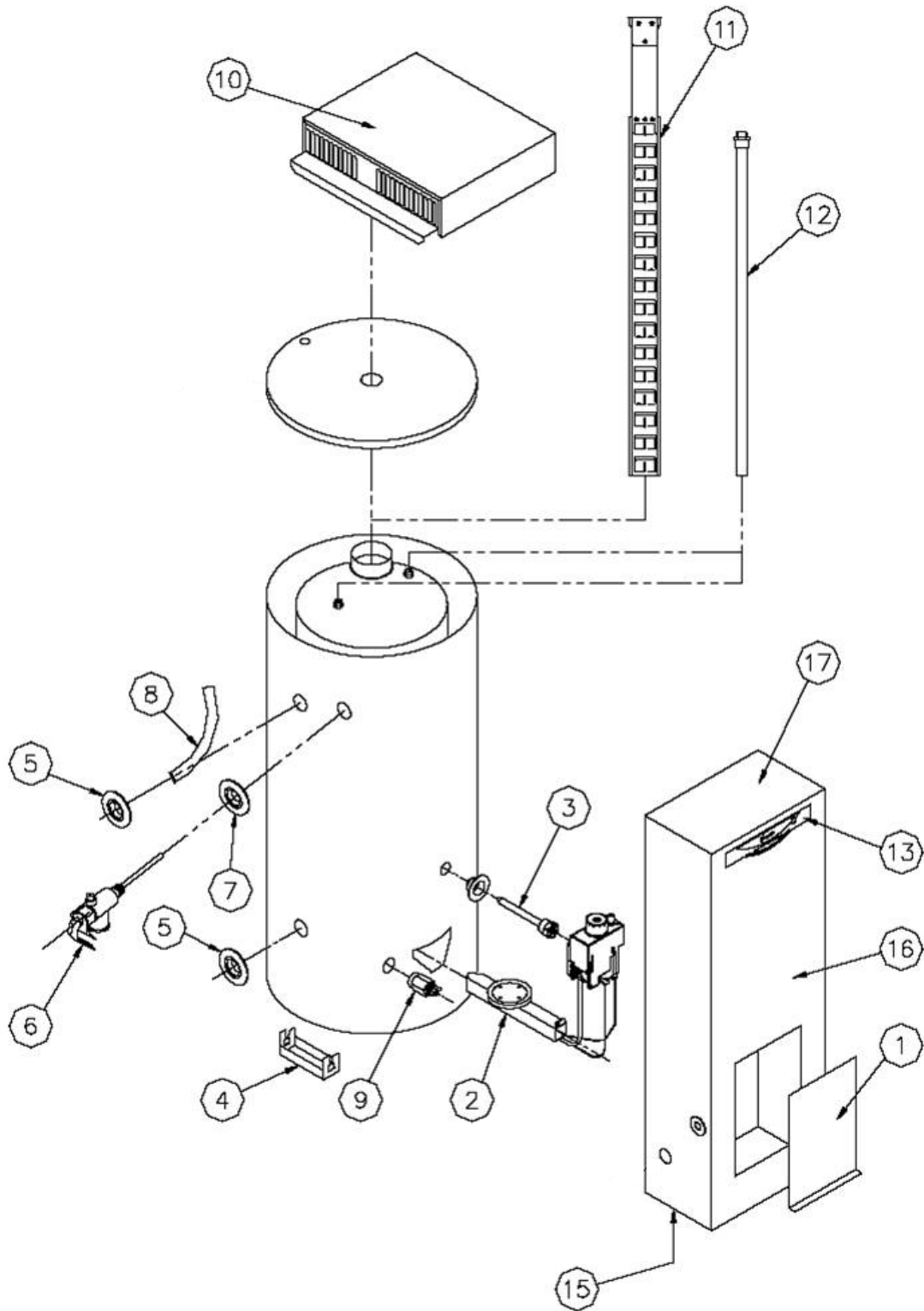
Rheem Spare Parts Manual

Commercial gas model A62260 Internal 260L

Item	Part No.	Description
2	101312-1	Burner cover
3	N/A	Valve cover
4	079411	Drywell pocket
5	070462	Burner assembly LPG
5	070458	Burner assembly NG
6	221406-1	Inlet/outlet pipe seal
7	221398-1	TPRV seal
8	220604	TPRV HTE715-717 1000kPa 3/4"
9	220511	Dip tube
10	102812-1	Draught diverter
11	071835	Baffle
12	221924	Anode (blue) 1153mm
13	221391-1	Anode cover
14	120626	Name band
15	224814	Drain cock
16	101402	Foot
17	101216-1	Jacket top
N/S	103203-1	Draught diverter adapter ring

Rheem Spare Parts Manual

Commercial gas model A63260 External 260L



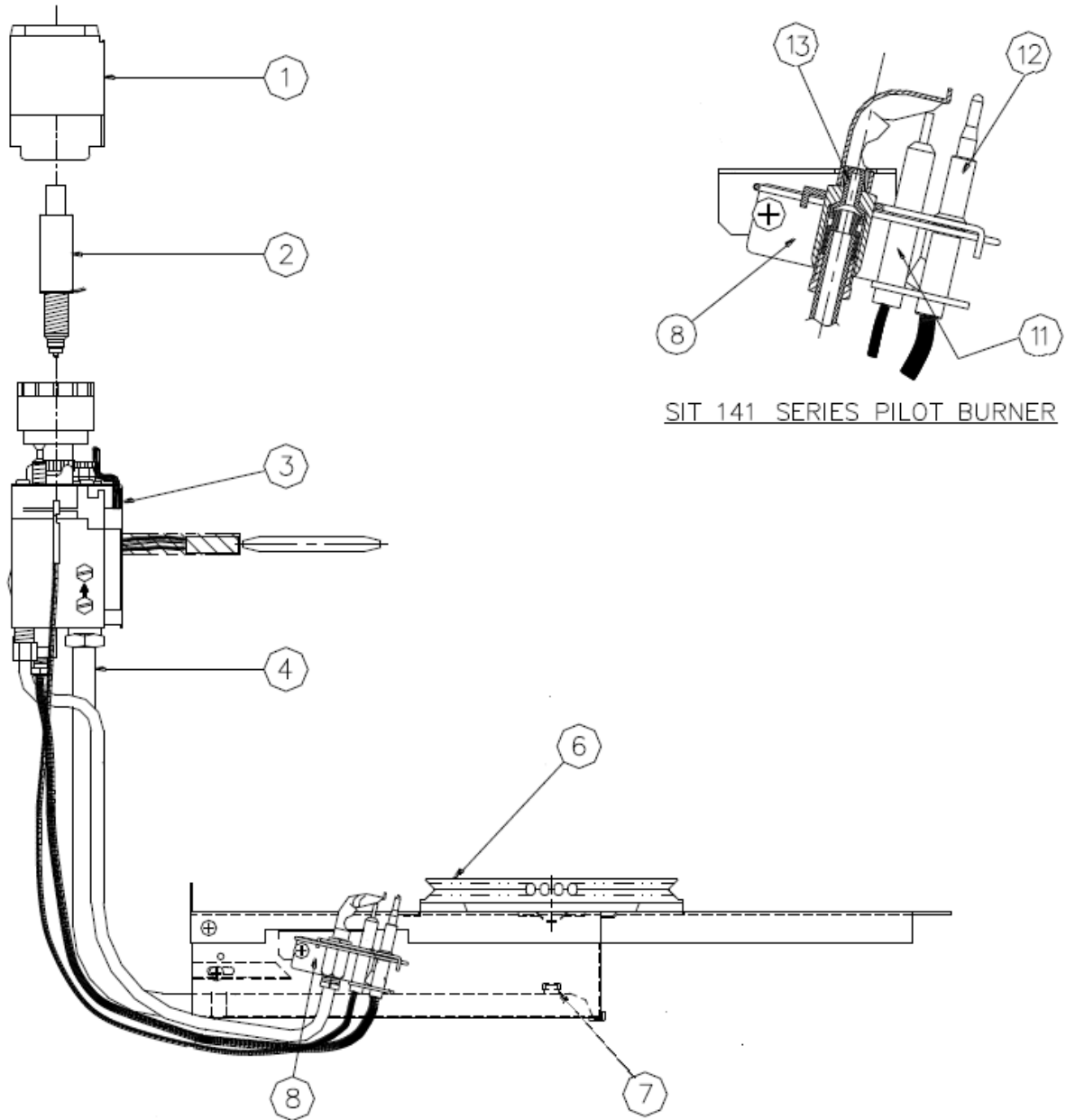
Rheem Spare Parts Manual

Commercial gas model A63260 External 260L

Item	Part No.	Description
1	104603-1	Access door
2	070462	Burner assembly LPG
2	070458	Burner assembly NG
3	079411	Drywell pocket
4	101402	Foot
5	221406-1	Inlet/outlet pipe seal
6	220604	TPRV HTE715-717 1000kPa ¾"
7	221398-1	TPRV seal
8	220511	Dip tube
9	224814	Drain cock
10	104727-1	Flue terminal
11	071836	Baffle
12	221924	Anode (blue) 1153mm
13	120806	Name band
15	106702-1	Air duct extension (bottom)
16	106527-1	Air duct
17	106529-1	Air duct extension (top)

Rheem Spare Parts Manual

Commercial gas models A62260 - A63260 260L



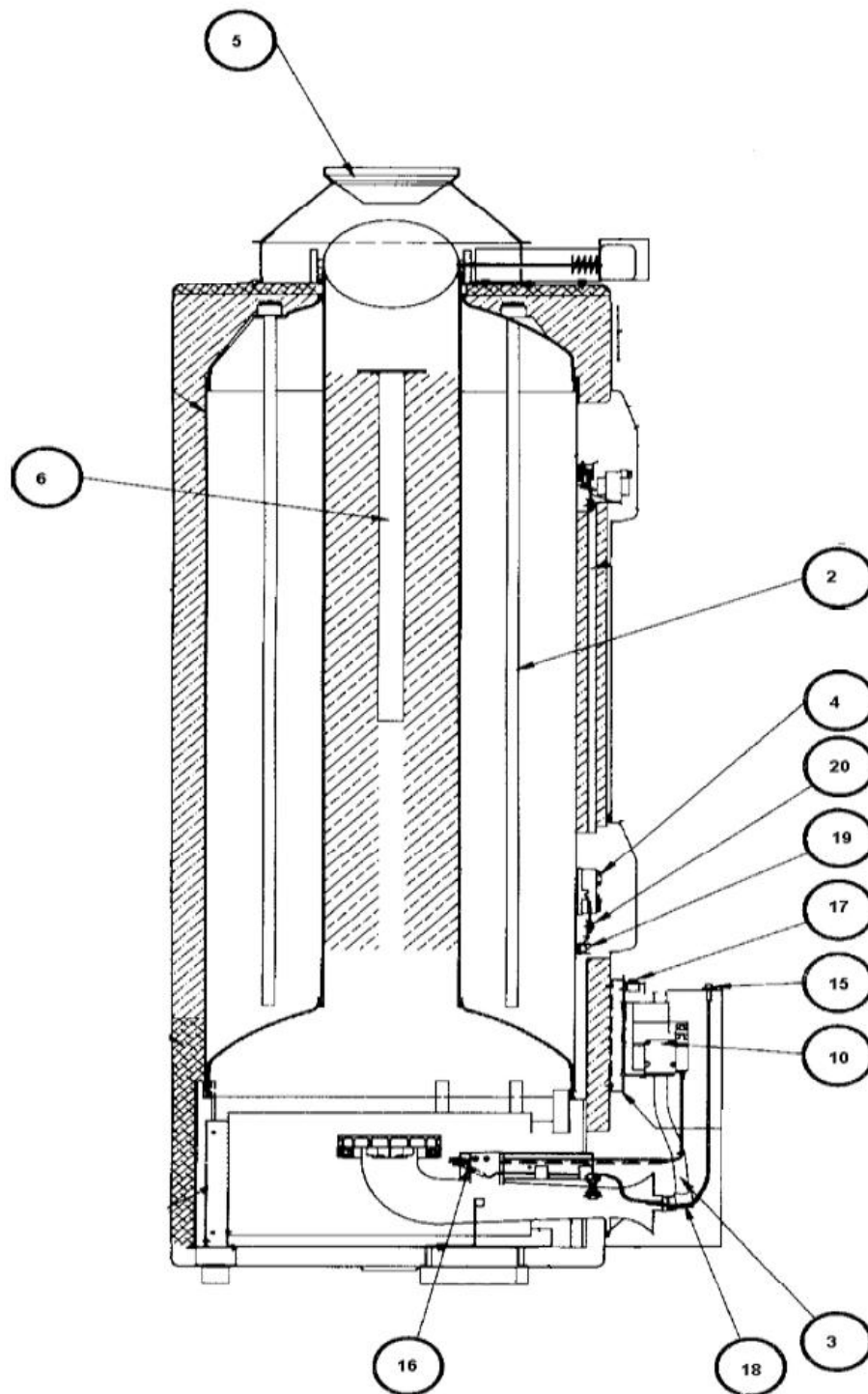
Rheem Spare Parts Manual

Commercial gas models A62260 - A63260 Internal - external 260L

Item	Indoor	Outdoor	Description
1	890176	890176	Gas control cover
2	890202	890202	Piezo igniter
3	079421	079421	Gas control NG
	079424	079424	Gas control LPG
4	076401	076401	Burner feed pipe NG
	076403	076403	Burner feed pipe LPG
6	070440	070447	Burner assembly NG
	070445	070445	Burner assembly LPG
7	073345	073345	Main burner injector 5/16"x 3.2mm NG
	073323	073323	Main burner injector 5/16"x 1.9mm LPG
8	071209	071209	Pilot assembly NG
	070955	070955	Pilot assembly LPG
11	890175	890175	Ignition electrode and lead
12	071428	071428	Thermocouple LPG
	071428	071428	Thermocouple NG
13	890181	890181	Pilot injector 0.27mm NG
	890197	890197	Pilot injector 0.16mm LPG

Rheem Spare Parts Manual

Commercial gas models A62265 - A62275 Internal 265 – 275L



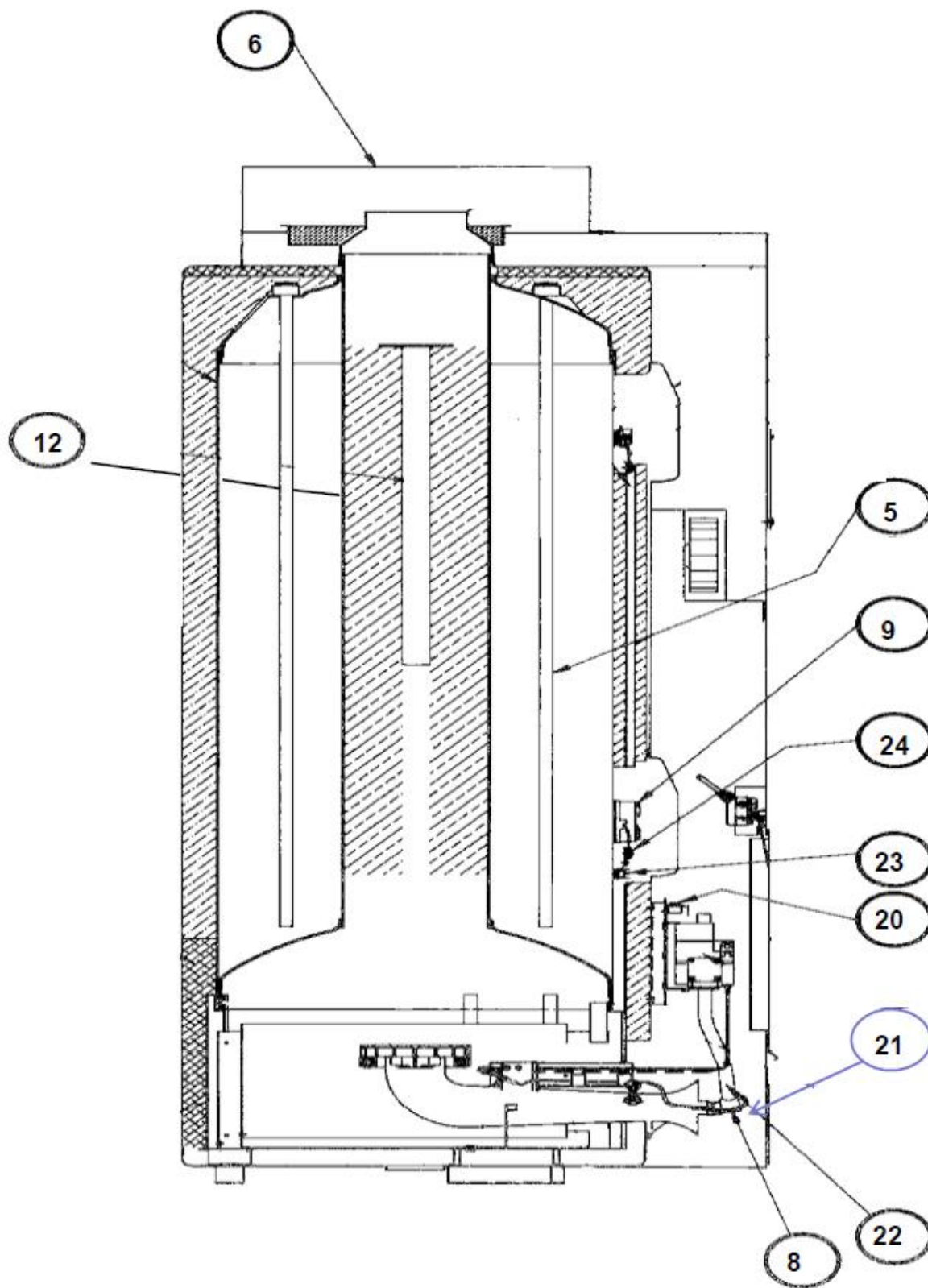
Rheem Spare Parts Manual

Commercial gas models A62265 - A62275 Internal 265 – 275L

Item	Part No.	Description
2	221914	Anode (black)1153mm
3	079537	Burner feed pipe NG
4	052806	R/Shaw thermostat EWT1L2522
5	108145	Draught diverter
6	108154	Flue baffle
10	102501	Thermostat clamp
15	071903	Piezo igniter
16	074803	Pilot NG
17	079508	Pilot indicator
18	071704	Ignition electrode and lead
19	053008	ECO switch manual reset
20	102501	Thermostat clamp
N/S	856566	Injector LPG
Obsolete model. Parts shown are only available whilst in stock. Components without an identification number are not available		

Rheem Spare Parts Manual

Commercial gas models A63265 - A63275 External 265 – 275L



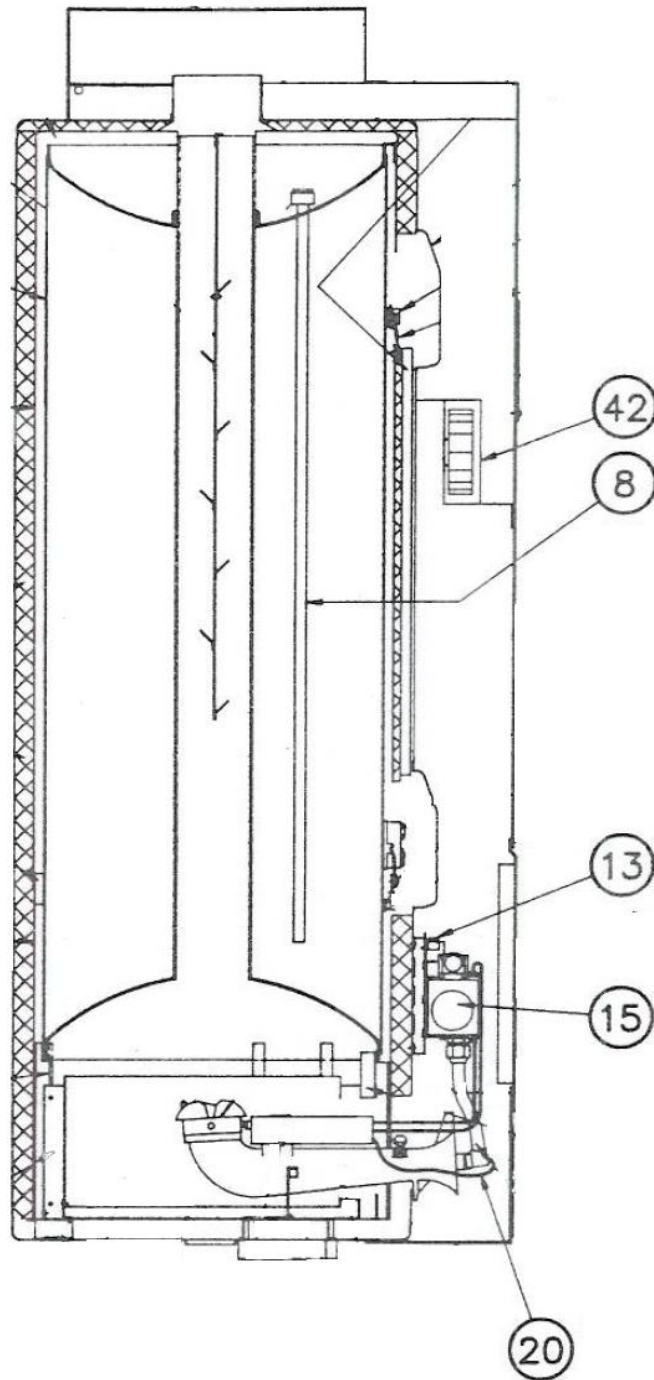
Rheem Spare Parts Manual

Commercial gas models A63265 - A63275 External 265 – 275L

Item	Part No.265L	Part No.275L	Description
5	221914	221914	Anode (black) 1153mm
6	OBSOLETE	108249	Flue terminal
8	N/A	079537	Burner feed pipe NG
9	OBSOLETE	052806	Thermostat R/Shaw EWT1L2522
10	N/A	053017	Fan assembly
12	108189	108154	Flue baffle
20	079508	079508	Pilot indicator
21	071903	N/A	Piezo igniter
22	N/A	071704	Ignition electrode and lead 750mm
23	053008	053008	ECO switch manual reset
24	OBSOLETE	102501	Thermostat clamp
N/S	051601	051601	Terminal block
N/S	079513	079513	Millivolt terminals connector set
N/S	053001	053001	Cord set with plug
N/S	108177	108177	ECO switch bracket
N/S	053002	053002	Flexi cord 500mm 3 core
N/S	220604	220604	TPRV HTE715/7171000kPa ¾"
N/S	053006	053006	White millivolt wire
N/S	053007	053007	White millivolt wire (long)
Obsolete model. Parts shown are only available whilst in stock. Components without an identification number are not available			

Rheem Spare Parts Manual

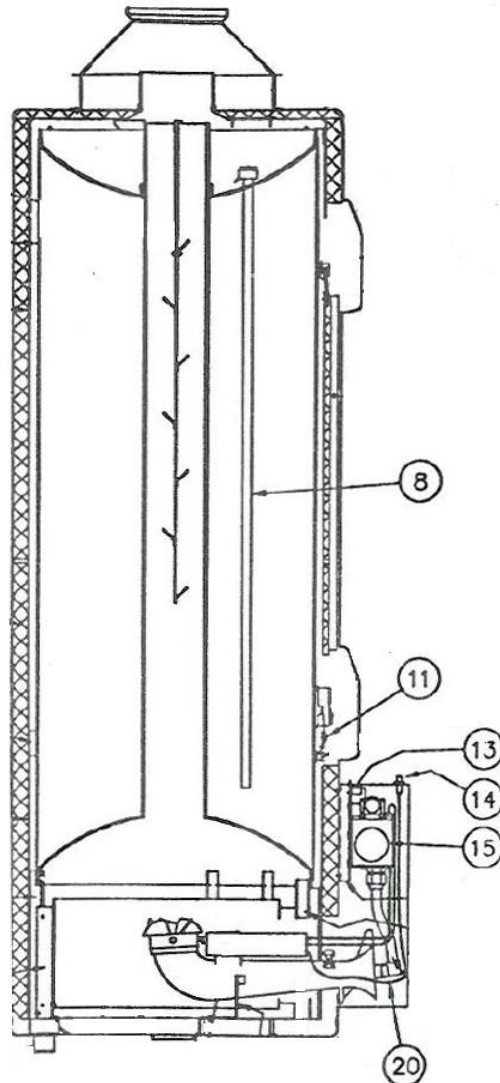
Commercial gas models A61290 External 290L



Item	Part Number	Description	Item	Part Number	Description
8	221914	Anode Black1156mm	n/s	855663	Spring LP Conversion
13	079508	Indicator Pilot		053007	Wire Millivolt 250mm
16	079501	Gas Control Honeywell V4400 240V Natural Gas		053006	Wire Millivolt 250mm with plastic boot
20	071704	Spark Plug and lead		079513	Connector mV terminals
42	853017	Fan Module Assy		071903	Piezo Igniter Assy
Obsolete model. Parts shown are only available whilst in stock. Components without an identification number are not available					

Rheem Spare Parts Manual

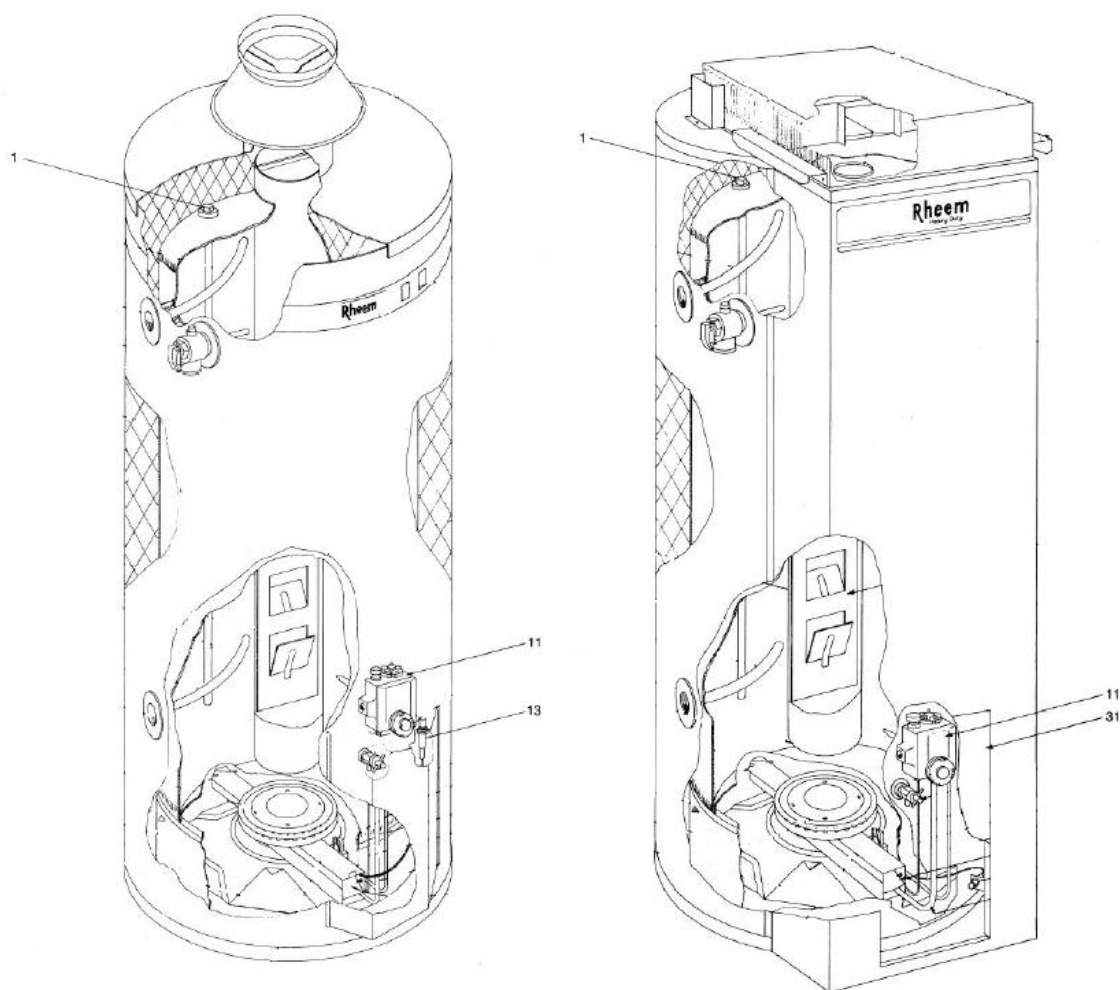
Commercial gas models A60280 - A60290 Internal 280 - 290L



Item	Part No.280L	Part No.290L	Description
8	221914	221914	Anode (black) 1153mm
11	N/A	102501	Thermostat clamp
12	071704	071704	Ignition electrode and lead
13	079508	079508	Pilot indicator
14	071903	071903	Piezo igniter
15	079501	079501	Honeywell gas valve V4400 240V
20	071704	071704	Spark Plug and Lead
N/S	053007	053007	Wire Millivolt 250mm
	053006	053006	Wire Millivolt 250mm with plastic boot
	079513	079513	Connector mV terminals
Obsolete model. Parts shown are only available whilst in stock. Components without an identification number are not available			

Rheem Spare Parts Manual

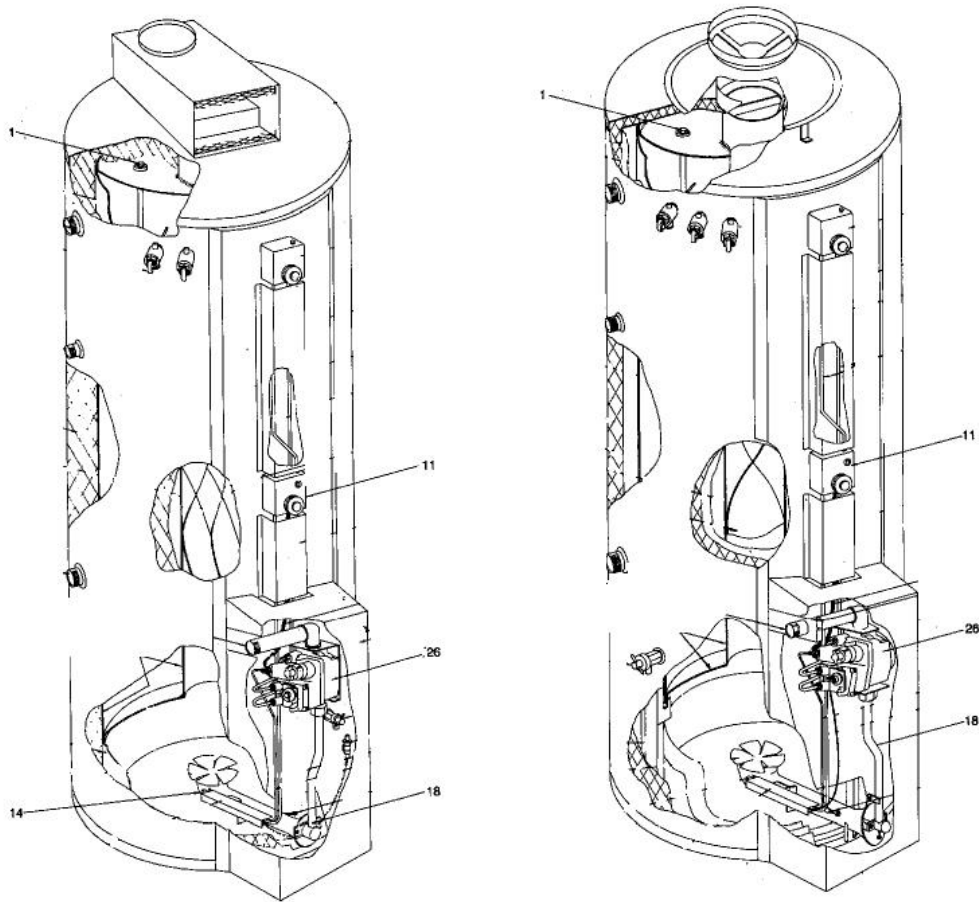
Commercial gas models A60260 - A61260 OBSOLETE



Item	Part No.	Description
1	221914	Anode (black)
	221924	Anode (blue)
11	852556	R/Shaw gas valve Unitrol 400RT
13	071903	Piezo
N/S	071701	Ignition electrode and lead
	851958	Magnetic valve suit 400RT
Obsolete model. Parts shown are only available whilst in stock. Components without an identification number are not available		

Rheem Spare Parts Manual

Commercial gas models A65260 - A65270 OBSOLETE



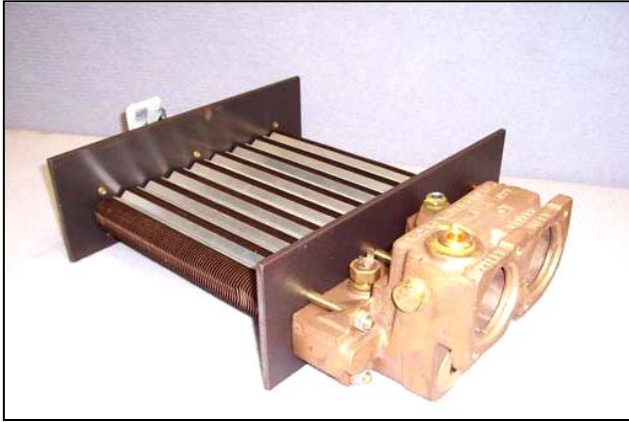
Item	Part No.	Description
1	221914	Anode (black)
11	073001	Thermostat CWH-3LT8
14	074803	Pilot assembly NG
18	986375	Burner feed pipe (A65260 only)
	986376	Burner feed pipe (A65270 only)
26	072701	R/Shaw unitrol gas valve 7000 BGOR (A65260 only)
	072901	R/Shaw unitrol gas valve 7000 GORHC (A65270 only)
N/S	857364	Pilot control knob
	857263	Magnetic valve suit 7000 valve
	071702	Ignition electrode and lead

Obsolete model. Parts shown are only available whilst in stock. Components without an identification number are not available

Rheem Spare Parts Manual



RP2100 bronze heat exchanger (pool)



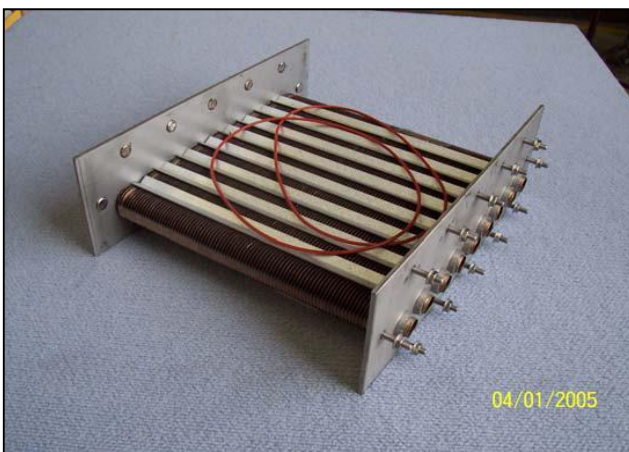
Model	Copper/Nickel
197	56065248
277	56065254
347	56076848
427	56076846

RP2100 capron heat exchanger (pool)



Copper	Model	Copper/Nickel
56066821	197	56066825
56066822	277	56066826
56066823	347	56066827
56066824	427	56066828

RP2100 capron tube bundle (pool)



Copper	Model	Copper/Nickel
56066858	197	56066862
56066859	277	56066863
56066860	347	56066864
56066861	427	56066857

Note: Capron tube bundles include 2 header O-rings part 56800360.

Header bolt torque settings 25-30Nm

Rheem Spare Parts Manual

Gemini heat exchanger (pool)



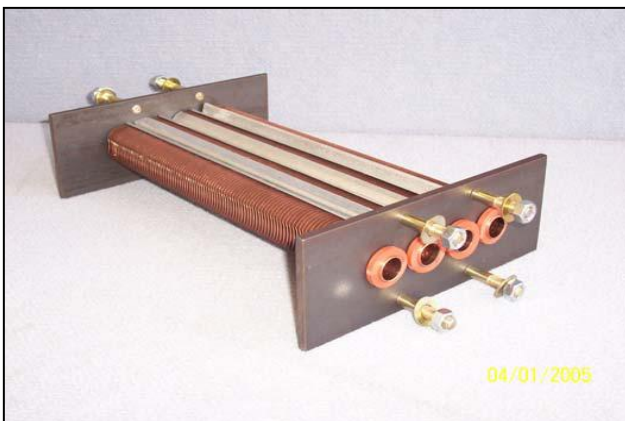
Model	Copper
183/195/196	56002446
263/275	56002447
333/345	56002448
403/425	56002449

Universal tube bundle (pool & boiler)



Copper	Model	Copper/Nickel
56004671	195/196	56005260
56004672	275/276	56005261
56004673	345/346	56005262
56004674	425/426	56005264
56065243	197	56065248
56065244	277	56065254
56065245	347	56065258
56065246	427	56005263

Tube bundle (boiler)



Model	Copper
109	56069879
See Note	56069000

Note: Some 109 boilers have corner studs in the plates; in this situation part 56069000 is used.

Rheem Spare Parts Manual

Tube bundle (pool)



Copper	Model	Copper/Nickel
56069000	103 109 110 127	56069001

Tube bundle (boiler)



Model	Copper
147	56059508

Tube bundle (pool)



Copper	Model	Copper/Nickel
56053231	153 159 160 167	56053232

Rheem Spare Parts Manual

Versa/Optimum heat exchangers (pool)



Model	Copper
195/196/197	56065257
275//276/277	56065261
345/346/347	56065265
425/426/427	56065269
196	56004052
276	56003756
346	56003757
426	56003758

Tube bundle (boiler)



Model	Copper
197	56065251
277	56065252
347	56065253
427	56065326

Bronze headers Versa/Optimum (pool)



Model	In/outlet
196 - 426	56350858
197 - 427	56350858
	Return (RHS)
All	56350634

Rheem Spare Parts Manual

Bronze headers (pool)



Model	In/outlet (LHS)
195 - 425	56350631
	Return (RHS)
All	56391634

Note: Return header pre-drilled for a hi-limit thermostat part 56600893.

Bronze headers (spa heater)



Model	In/outlet (LHS)
103 - 167	56058253
	Return (RHS)
All	56058254

RP2100 Capron headers



Model	In/outlet (LHS)
197	56112801
277	56112701
347 - 427	56112601
	Return (RHS)
All	56800357

Rheem Spare Parts Manual

Capron header (pool)



Model	In/outlet
P0131 Spartan	56320495
See Note	Return

Note: There is no return header for the Spartan model it is integral to the tube bundle.

Bronze headers (boiler)



Model	In/outlet (LHS)	Return (RHS)
109	56070149	56359065

Bronze headers 4 pass (boiler)



Bronze	Model 147	Cast Iron
56059586	In/outlet (LHS)	56053546
56350723	Return (RHS)	56350721

Rheem Spare Parts Manual

Bronze headers 4 pass (boiler)



Models	In/outlet (LHS)	Return (RHS)
195 - 426	56350646	56350634

Note: Order return with 1/8" BSP brass plug part 56500719.

Bronze headers series 2/8 (boiler)



Models	In/outlet (LHS)	Return (RHS)
538 - 1922	56350648	56350603

Flange plates (cast iron)



Models	Size	Cast iron	Gasket
(LHS) 2 - 8	50mm	56350465	*56800080
(RHST) Gemini	40mm	56350746	*56800217
(RHSB) Versa/ Optimum RP2100 Bronze Header	50mm	56350872	*56800080

* 56800080 & 56800217 sold in pairs
Versa gaskets available in 40mm or 50mm
Use 56800217 if 40mm gasket is required

Rheem Spare Parts Manual

Tube bundle and flange gaskets

Top row	Red 5/8" flat	Red 1" bevel	Black 5/8" flat	Black 1" flat
(Left to right)	56800203	56800001	Obsolete use 56800203	56800086



Bottom row	40mm Gemini	40mm Versa	50mm RP2100
(Left to right)	56800013 (x 1)	56800217 (x 2)	56800080 (x 2)

Header gaskets



Models	Gasket
103 – 127 (Top)	56810301
153 – 167 (Bottom)	56800075

Capron header connector kits



Models	Nut, tail & O-ring
RP2100 (LHS)	56076847
Spartan (RHS)	56320494

Rheem Spare Parts Manual

Pressure switch pool & spa heaters



Models	Switch
(LHS) Gemini Versa Optimum Spa temp Bronze headers	56600025
(RHS) RP2100 Spartan Capron headers	56651284

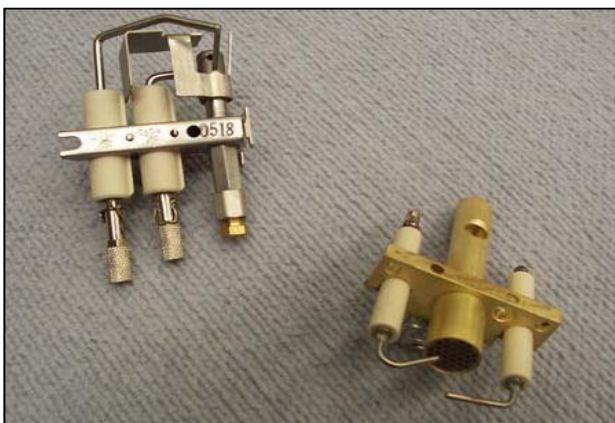
Pilots (standing) and electronic ignition



(LHS)	(RHS)
Standing pilot Q324A	Electronic ignition Q345
56600497	56609174

Note: Q345 pilot replaces obsolete Q373.

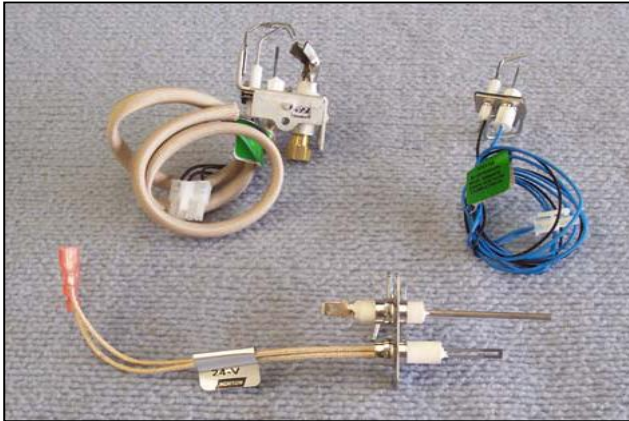
Pilots (intermittent) electronic ignition



(LHS)	(RHS)
Electronic ignition Honeywell	Electronic ignition Siemens
56600728	56609125

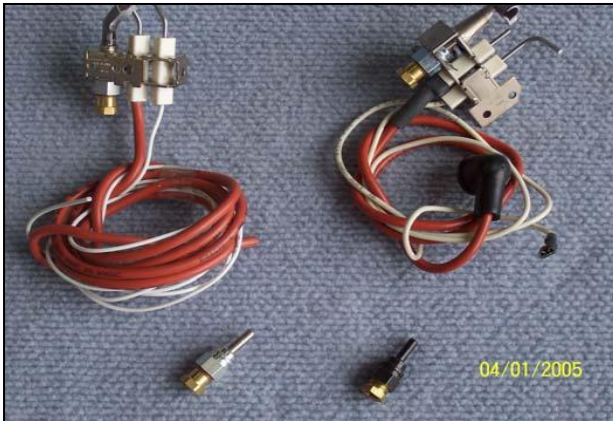
Rheem Spare Parts Manual

Pilots (H.S.I.) hot surface ignition



(LHS)	H.S.I. Honeywell comes with NG injector (Suits Smart valve 56609198)	
56609199		
(RHS)	H.S.I. ignition assembly Pilot refill for part 56609199	
56609199		
(Bottom)	Norton H.S.I. Suits W/Rodgers gas valve	
56659144		
Honeywell Pilot	LPG injector BCR14	56600812
	NG injector BCR 20	56600811

Pilots (E.I.) electronic ignition



Top row	E49 PILOT	E48 PILOT
(Left to right)	56609038	56609027
(Bottom row)	NG injector	LPG injector
(Left to right)	56600148	56609037

Unatherm governors



Models	Versa/Optimum	103/167	RP2100
(Left to right)	56600885	56069775	56600572

Note: The Unatherm governor shown on right (56600572) is no longer available and has been replaced with a brass disc. This disc is available using original part no. 56600572.

Rheem Spare Parts Manual

Unatherm governors



(LHS)	(RHS)
E-type suit Gemini	H-type suit series 2/8
56051492	56053675

Hi limit thermostats (pool)



Model	Capron headers 60°C auto reset	Bronze headers 60°C	Spartan heaters 60°C auto reset
(Left to right)	56601549	56600893	56601547
N/S	Sensor Probe & Hi Limit Locator 3/8 NPT, Suits Spartan 56659206		
	T/Stat Hi Limit A/Reset 45°C M4 base 56600188		

Hi limit thermostats (boiler)



(LHS)	(RHS)
Siemens thermostat 80-100°C RAK-ST.1430S	Fantini thermostat
56600185	56600183
Siemens thermostat 15-95°C RAK 112.1020	
56609162	

Rheem Spare Parts Manual

Hi limit thermostats (boiler)



(LHS)	(RHS)
W/Rodgers WR11B58.28	Honeywell L6188C
56609227	56609000

Flow Switches



50mm flow switch kit includes switch, relay, base, screws and diagram.	40mm flow switch kit is now obsolete use 50mm kit with altered pipe work.
56009223	OBSOLETE

Flow switch (boiler)



(LHS)	(MIDDLE)	(RHS)
Caleffi flow switch 25mm	Fantini flow switch 25mm	Watts flow switch 34/58/89mm
56609224	OBSOLETE use 56609204	56609204

Rheem Spare Parts Manual

Gas valves Honeywell



56600862 Gas Valve 20mm Millivolt
VS820 (Plus technical bulletin)

(LPG Conversion Kit Available)

NOTE: VS820 Replaces old VS891.
Refer technical bulletin included with
eachvalve.

NOTE: E.I. = Electronic Ignition

S.P. = Standing Pilot

H.S.I. = Hot Surface Ignition



Left to Right

56609116	E.I. VR8304H 4800
56609115	S.P. VR8300H 4808
56609198	H.S.I. SV9605H (Smart Valve)
56609048	SV9605H Smart Valve LPG spring
56609051	SV9605H Smart Valve NG spring

Gas valves White Rodgers



Left

56609116 Gas Valve E.I. WR 36C68C
(Plus technical bulletin) Replaces Obsolete
Honeywell VR8304H

Right

56609115 Gas Valve 24V WR 36C03C
(Plus technical bulletin)



Left

56609217 Hi/Lo Gas Valve

Right

56609218 On/Off Gas Valve

Rheem Spare Parts Manual

Gas valves Robertshaw



Left	
56609131	20mm EI MM NG (7000BDSTRD – 1 – S7C)
56609132	20mm EI MM LPG (7000BDSTRDLP – 1 – S7C)
Middle	
56600991	25mm EI NG (7000DERHC – S7C)
Right	
56609133	25mm EI MM NG (7000DSTRDHHC – 1 – S7C)
56609134	25mm EI MM LPG (7000DSTRDHHC – LP – 1 – S7C)

Thermostatic gas valves Honeywell



Left	
56600005	15mm Modusnap
Right	
56600514	25mm Modusnap
NOTE: Above Modusnaps are now obsolete due to the manufacturer ceasing production	

Rheem Spare Parts Manual

Actuator gas valves Siemens

(Landis & Staefa / Landis & Gyr)



Left	
56609003	Siemens SKP10.110B27
Right	
56609002	Siemens SKP10.123A27



56609001	Siemens SKP20.110B27
----------	----------------------

(Landis & Staefa / Landis & Gyr)



890376	Siemens SKP15.
--------	----------------

Rheem Spare Parts Manual

Actuator gas valves Siemens



56609237	Siemens SKP27.111B27
----------	----------------------

Actuator gas valves (Honeywell)



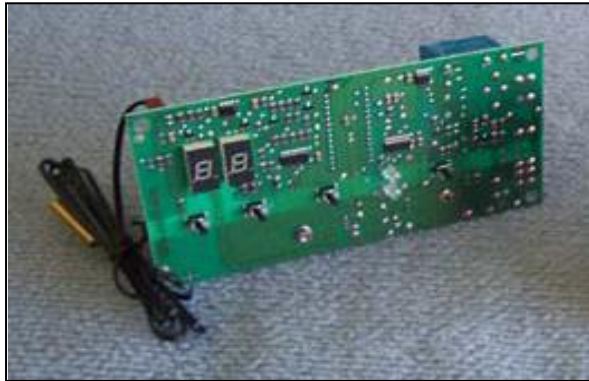
56600449	V9055A 1105 Fluid Power Valve
----------	-------------------------------



56600458	V4062A suit B3 application
Must be modified for B3 (pictured)	
56600193	V4055B 1096 suit On/Off

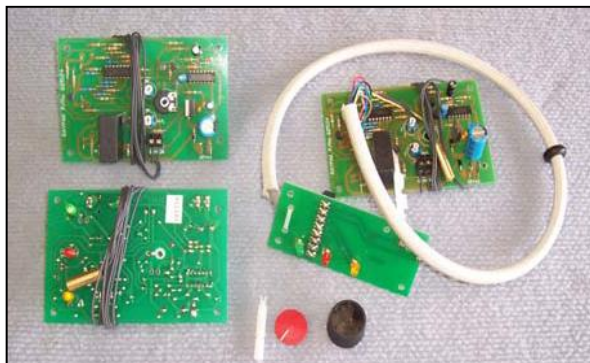
Rheem Spare Parts Manual

Thermostats RP2100 Series



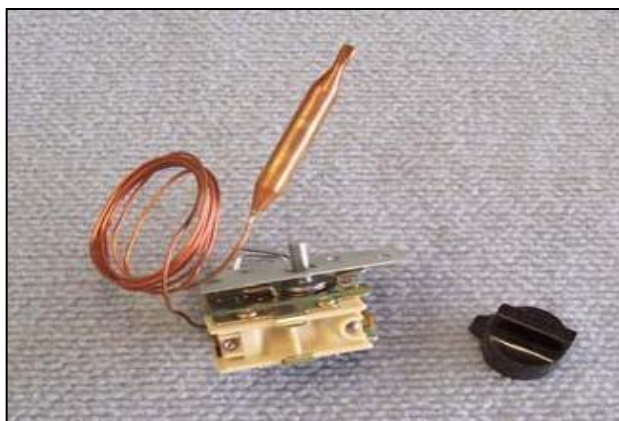
	T/stat PCB and sensor	56609184
	Remote T/stat PCB only	56609185
	Brass sensor only	56609186
N/S	Grey decal	56659197
N/S	Black decal	56PE5001
N/S	Red decal	56909063
N/S	Stainless Sensor Probe (suits PCB'S 56659197 & 56PE5001)	56659202

Thermostats (various)



(LHS) Top and bottom	Optimum PCB and sensor	56609124
(RHS) Top	Spa temp PCB 60/110/160	56609137
(RHS) Bottom left	Shaft	56809036
Bottom middle	Knob insert	56809035
Bottom right	Knob black	56809032

Thermostat mechanical (pool)

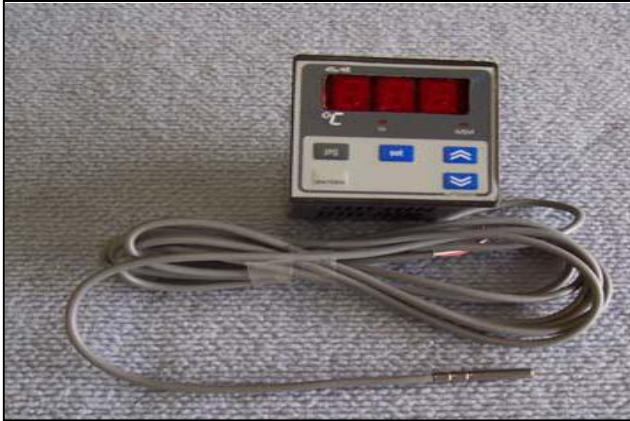


Model	(LHS)	(RHS)
Gemini	T/stat	Knob
	56600827	56800201

Note; Suits millivolt gas valves.

Rheem Spare Parts Manual

Thermostat (boiler) Eliwell



See TB11 006 – Use Eliwell Kit

890577 LAE Replacement

890576 AKO replacement

Thermostat (boiler) Honeywell



(LHS)	(LHS)	(RHS)
T991E-1018	T991E-1034	L4008A
56600524	56609114	56600022
71 - 127°C	13 - 79°C	38 - 116°C

Note: 56600524 & 56609114 are associated with Honeywell Actuator Fluid Power Valves.

Hi limit thermostats (boiler)



(LHS)	(RHS)
W/Rodgers WR11B58.28	Honeywell L6188C
56609227	56609000

Rheem Spare Parts Manual

Ignition modules



(LHS)	(BOTTOM)	(RHS)
RAM H4M7 24V	H/well S86H	Brahma CM32
56601004	See note	56609222

Note; Honeywell S86H superseded by Fenwal S8635-63 No.890684

RAM H4M7 valve used in 131 Spartan

Ignition controls



(LHS)	(RHS)
Siemens LGB41.255A27	Siemens LGA41.153A27
56609154	56609094

Ignition relay



Model	Brahma RE3	56609177

Rheem Spare Parts Manual

Flame monitor



Model	Siemens LFE10	56609175
--------------	------------------	----------

Ignition transformers



(TOP)	(BOTTOM)
Techrite COD1820 56659043	Siemens QO31A27 56659088

Modulation control (Siemens RWF40)



(LHS)	(RHS)
Modulation controller	Modulation actuator
56609233	56609238
(N/S)	(N/S)
Sensor only	Cable only
56609234	56659058

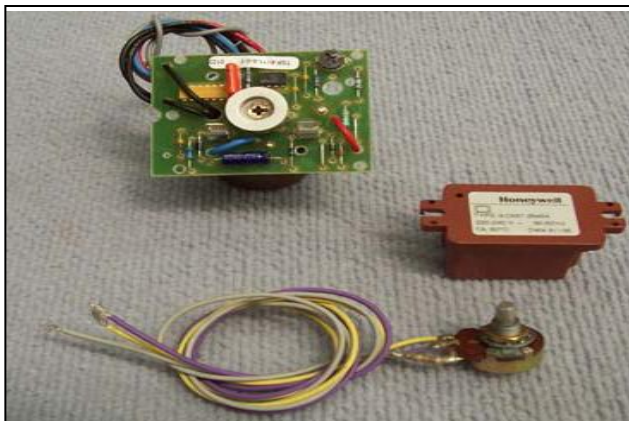
Rheem Spare Parts Manual

Packaged equipment module (PEM)



(Top)	(Bottom)
PEM Controller	PEM Sensor
56609151	56609147

Packaged equipment module (PEM)



(Top)	(Middle)	(Bottom)
Transmitter	Transformer	Potentiometer
56609155	56659090	56070110

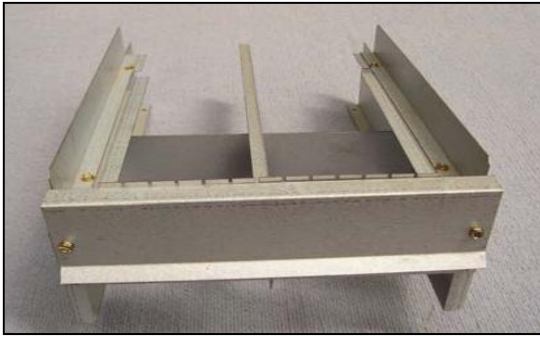
Expansion tanks



8L	56959053
12L	56959054
18L	56959055
24L	56959069
35L	56959056
50L	56959057

Rheem Spare Parts Manual

Burner tray sheet metal



Models 183/195/196	56069203
263/275/276	56069204
333/345/346	56069205
403/425/426	56069206



Models 109/110/127	56069201
---------------------------	----------



Models 147/157/160/167	56053235
-------------------------------	----------



Model 197	56065156
247	56065157
347	56065158
427	56065159

Rheem Spare Parts Manual

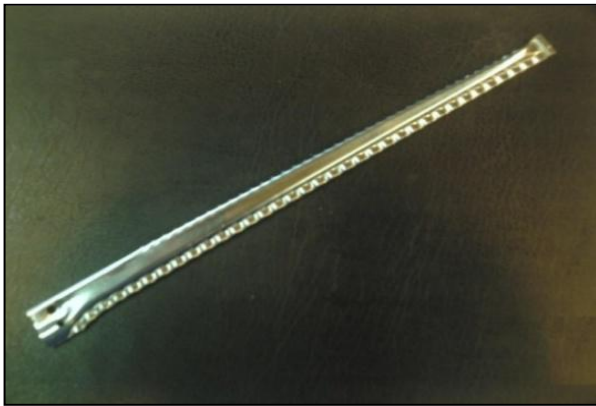
Pressure Relief Valve



60 PSI	1.1 MBTU	56500222
60 PSI	2.2 MBTU	56500269
100 PSI	0.5 MBTU	56609123
125 PSI	0.5 MBTU	56609121
125 PSI	0.2 MBTU	56500648
125 PSI	1.7 MBTU	56500038
125 PSI	2.0 MBTU	56500241
125 PSI	3.2 MBTU	56500242

Note: Generic picture shown, items 56609123 and 56609121 are TPRV's

Burner Bar



S/Steel burner	56301210
----------------	----------

Note: suits all

Burner Jet



1.05mm	1/16" NPT	56350350
1.10mm	1/16" NPT	56350083
1.85mm	1/16" NPT	56350078
1.90mm	1/16" NPT	56350576
1.95mm	1/16" NPT	56350077
2.00mm	1/16" NPT	56350346
4.50mm	1/4" NPT	56350785

Note: Generic picture shown.

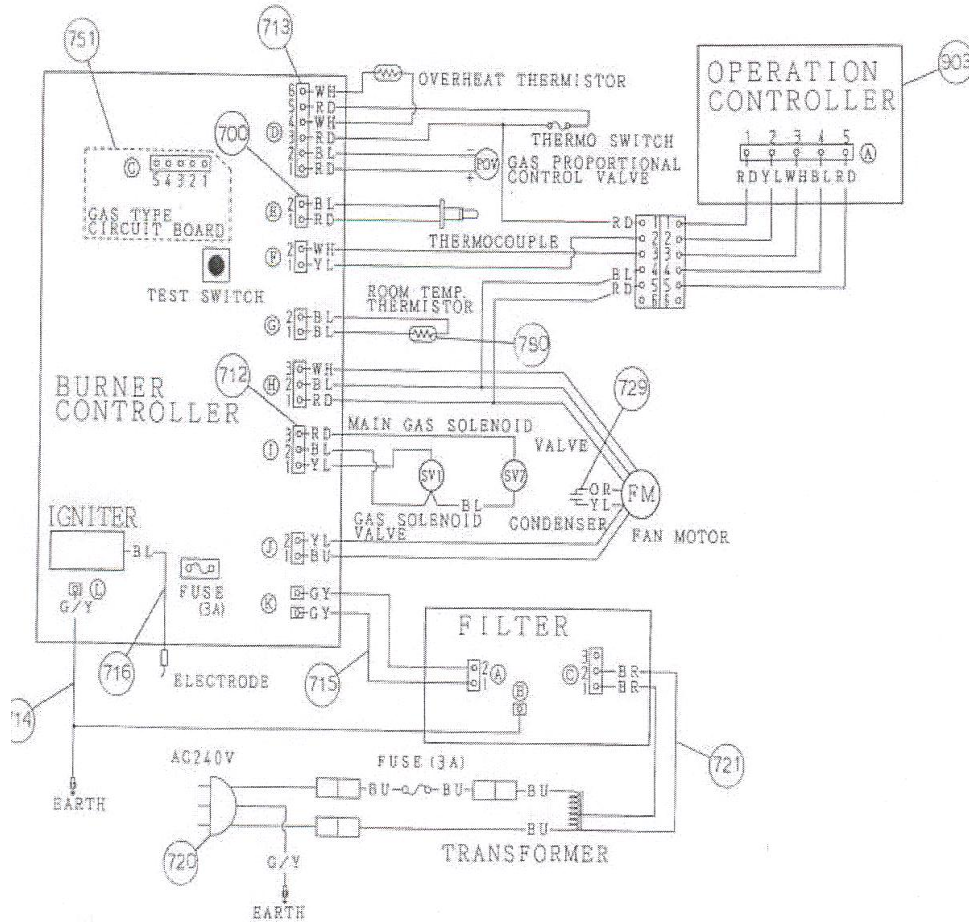
Rheem Spare Parts Manual

Kalahari convector heater models 18/25 NG

Item	Part No.	Description
001	05-27715-00	Front cover
002	05-28136-00	Filter (small)
003	15-00525-00	Operational panel (18)
003	15-00145-00	Operational panel (25)
004	15-00137-00	Base
005	05-29132-00	Filter (large)
006	05-61631-00	Carry handle
010	15-00123-00	Back cover
011	15-00129-00	Louvre
100	15-00294-00	Burner cover
118	15-00292-00	Burner assembly
129	08-50260-00	Burner injector
172	09-61080-00	O-ring
200	15-00246-00	Gas control
420	15-00305-00	Electrode assembly
700	05-60110-00	Thermocouple
710	05-28630-00	Temperature fuse
725	15-00407-00	Transformer
728	15-00205-00	Fan
745	15-00389-00	PCB
746	15-00378-00	PCB filter
863	31-29029-00	Screw

Rheem Spare Parts Manual

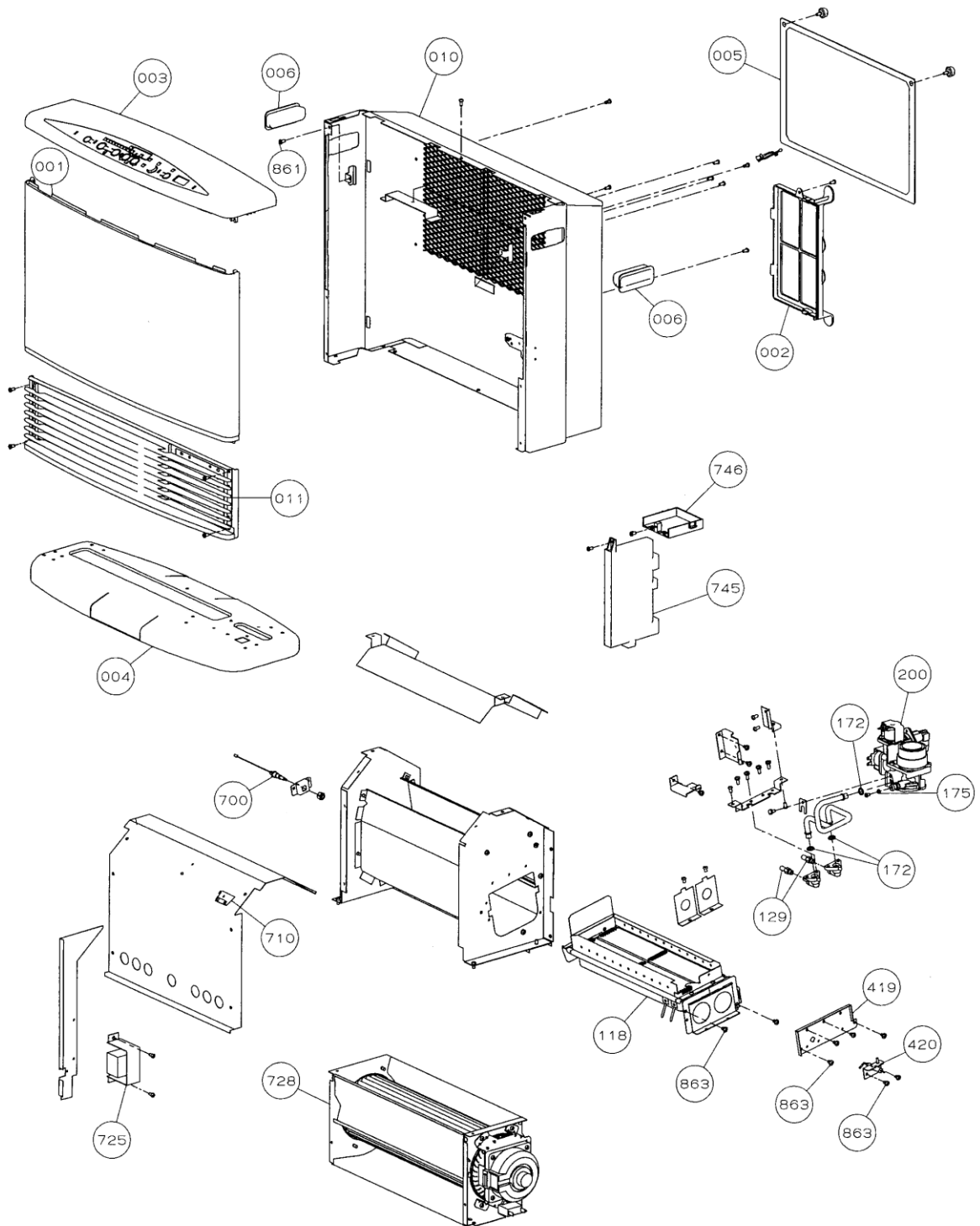
Kalahari convector heater models 18/25 NG



Item	Part No.	Description
713	15-00406-00	Fuse wiring assembly
751	15-00542-00	Gas type connector (18)
751	15-00452-00	Gas type connector (25)
780	05-60673-00	Thermistor
903	15-00332-00	Remote control

Rheem Spare Parts Manual

Kalahari convector heater models 18/25 LPG



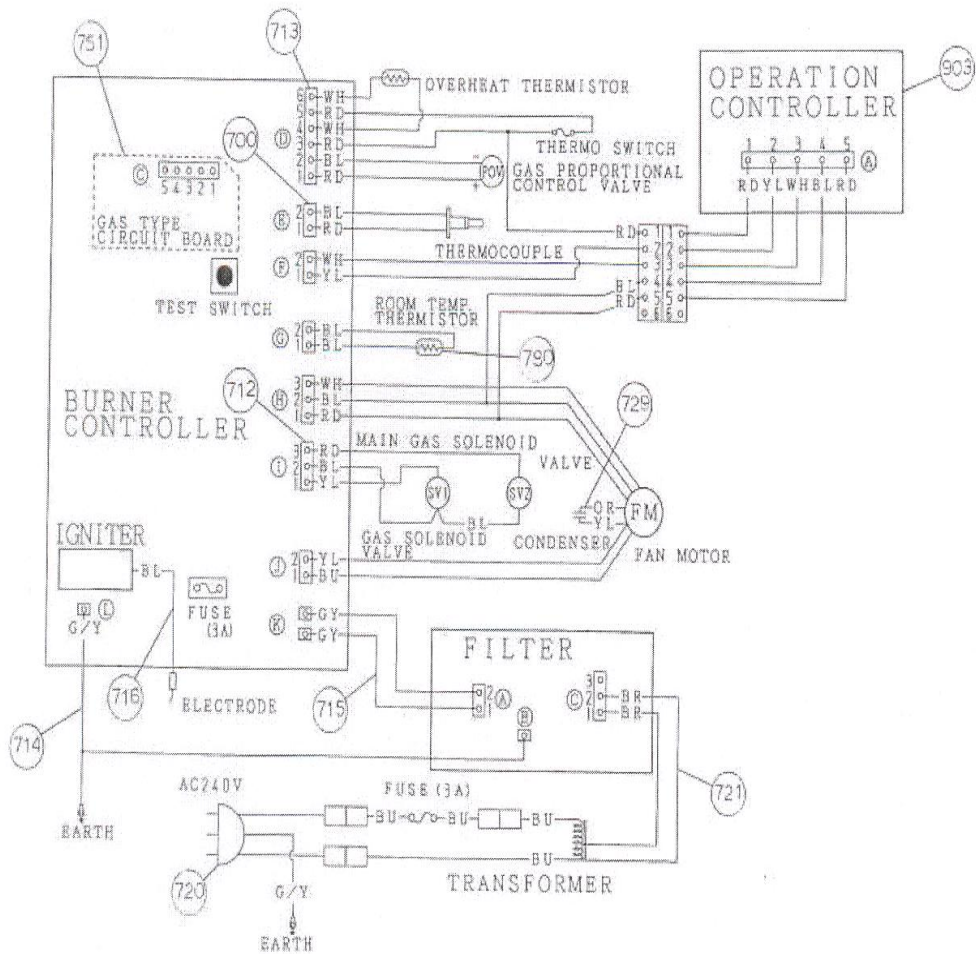
Rheem Spare Parts Manual

Kalahari convector heater models 18/25 LPG

Item	Part No.	Description
001	05-27715-00	Front cover
002	05-28136-00	Filter (small)
003	15-00525-00	Operational panel (18)
003	15-00145-00	Operational panel (25)
004	15-00620-00	Base
005	05-29132-00	Filter (large)
006	15-00146-00	Carry handle
010	15-00613-00	Back cover
011	15-00625-00	Louvre
118	15-00673-00	Burner
129	05-36887-00	Burner injector
172	09-61080-00	O-ring
200	15-00531-00	Gas control (18)
200	15-00245-00	Gas control (25)
420	15-00695-00	Electrode assembly
700	15-00744-00	Thermocouple
710	05-28630-00	Temperature fuse
725	15-00407-00	Transformer
728	15-00205-00	Fan
745	15-00389-00	PCB
746	15-00378-00	PCB filter
863	31-29029-00	Screw

Rheem Spare Parts Manual

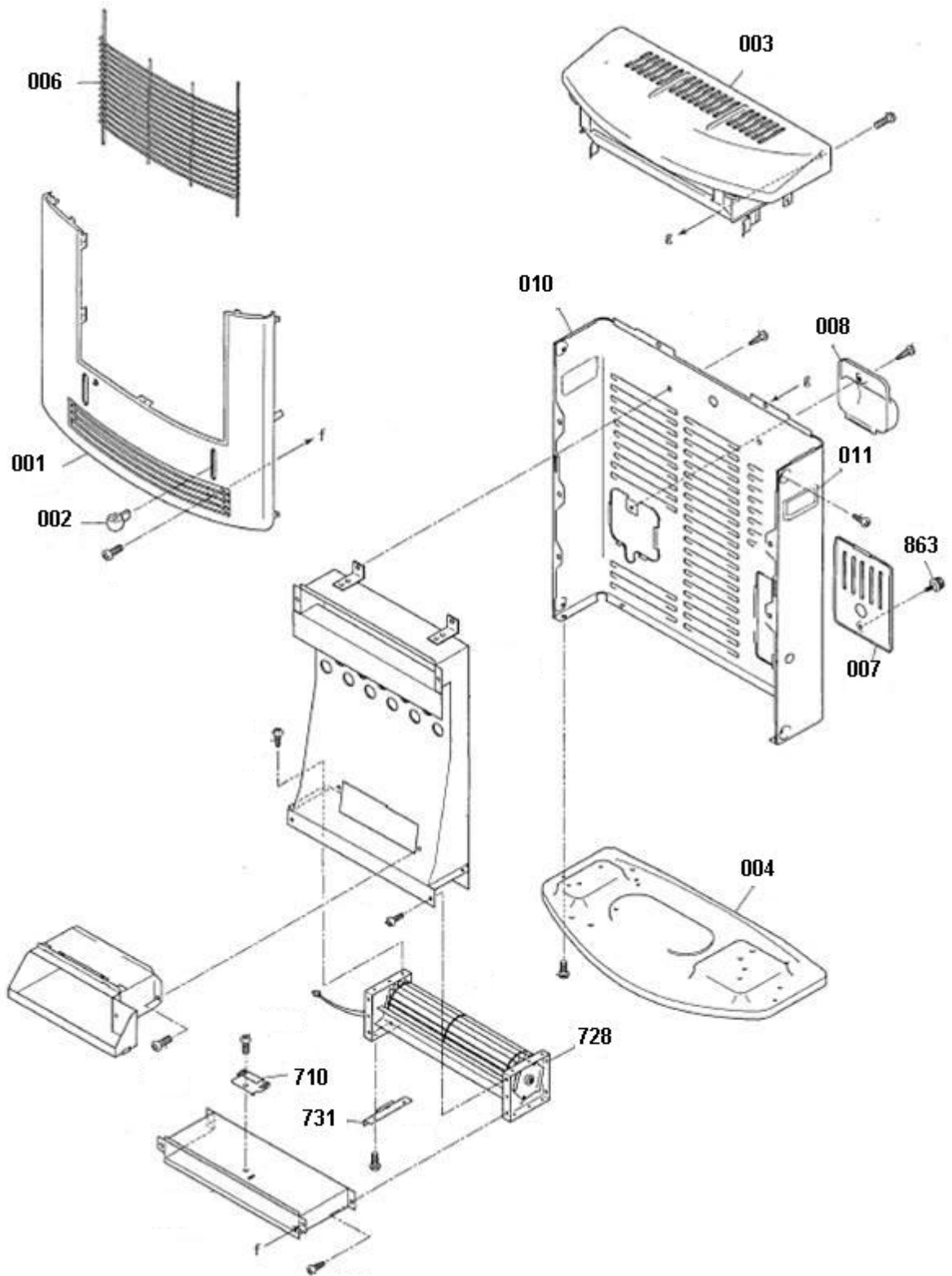
Kalahari convector heater models 18/25 LPG Electrical



Item	Part No.	Description
713	15-00743-00	Fuse wiring assembly
714	OBSOLETE	Earth wiring assembly
751	15-00781-00	Gas type connector (25)
780	05-60673-00	Thermistor
903	15-00332-00	Remote control

Rheem Spare Parts Manual

Glowplus radiant heater NG/LPG



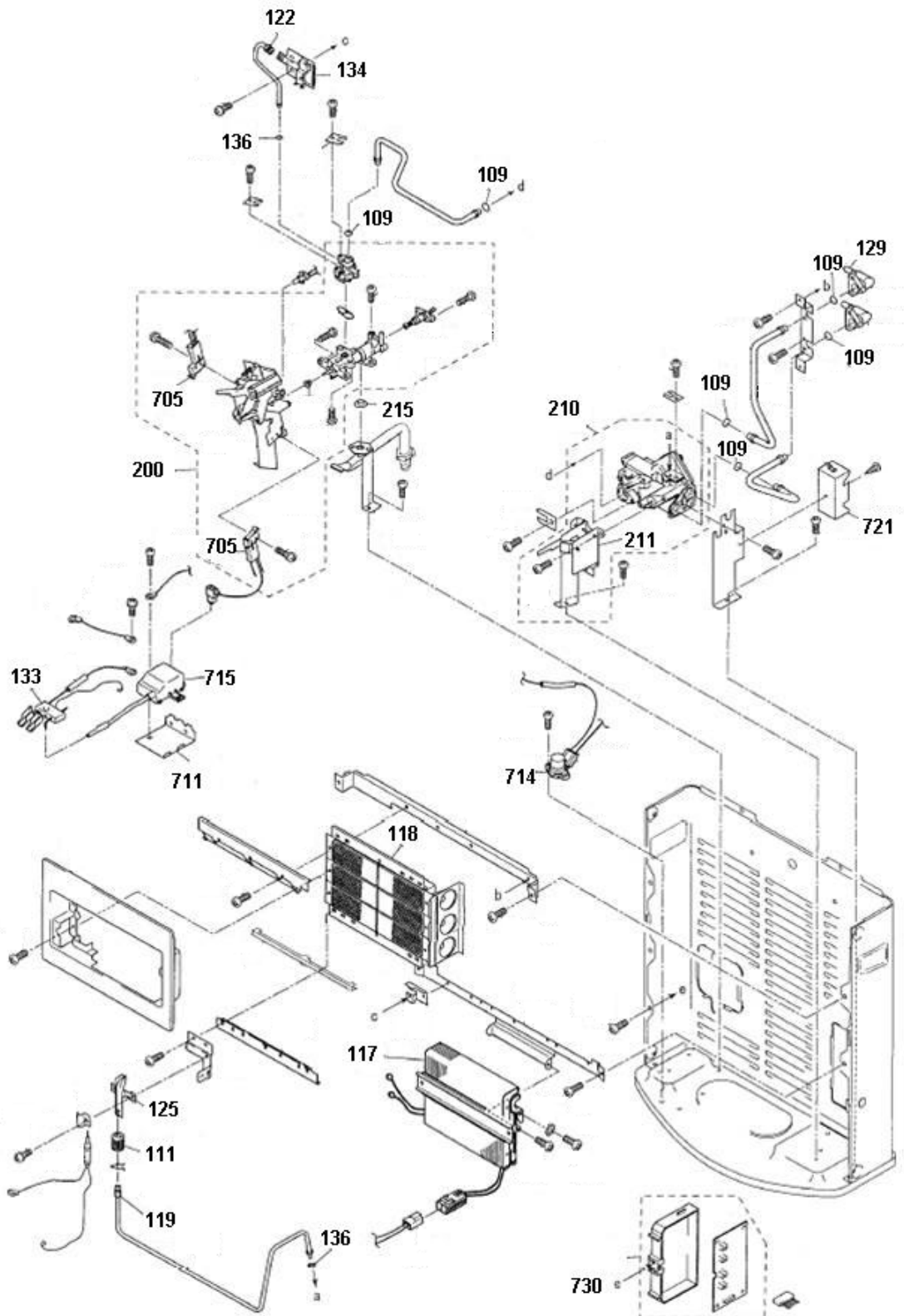
Rheem Spare Parts Manual

Glowplus radiant heater NG/LPG

Item	Part No.	Description
001	05-63155-00	Front cover
002	05-61621-00	Knob
003	05-63157-00	Top cover
004	05-61626-00	Base
006	05-63141-00	Guard assembly
007	05-61644-00	Cover A
008	05-61645-00	Cover B
010	05-63023-00	Back cover
011	05-61631-00	Carry handle
710	05-28630-00	Fuse
728	05-61702-00	Fan assembly
731	05-61707-00	Fan mounting bracket
831	09-46131-00	Pan screw 3 x 6mm
863	31-29029-00	Screw
N/S	05-63418-51	Gas conversion kit NG to LPG
N/S	05-63419-51	Gas conversion kit LPG to NG

Rheem Spare Parts Manual

Glowplus radiant heater NG/LPG



Rheem Spare Parts Manual

Glowplus radiant heater NG/LPG

Item	Part No.	Description
109	09-61080-00	O-ring
111	04-40817-00	Pilot filter
117	05-61790-00	Thermopile assembly
118	05-63111-00	Burner assembly
119	04-39164-00	Pilot injector NG
119	04-39182-00	Pilot injector LPG
122	05-96704-00	Safety pilot injector LPG
122	05-96746-00	Safety pilot injector NG
125	05-63186-00	Pilot burner NG
125	05-68183-00	Pilot burner LPG
129	05-61911-00	Main burner injector LPG
129	05-63182-00	Main burner injector NG
133	05-61961-00	Thermocouple
134	08-64553-00	Pilot burner assembly
136	09-61040-00	O-ring
713	05-61889-00	Millivolt generator wiring
714	09-73803-00	Switch
715	05-61847-00	Ignition transformer
716	05-61869-00	Wiring assembly
200	05-61730-00	Burner control assembly
210	05-63195-00	Burner selector LPG
210	05-63196-00	Burner selector NG
211	05-63085-00	Burner selector lever
215	18-19112-00	Gasket
700	05-61865-00	Thermocouple LPG
700	05-61866-00	Thermocouple NG
705	09-73769-00	Micro switch
710	05-28630-00	Fuse
711	05-61823-00	Igniter mounting bracket
714	09-73803-00	Switch
715	05-61847-00	Ignition transformer
721	09-77735-00	Battery case
730	05-63130-00	PCB

Rheem Spare Parts Manual

Alphabetical Spare Parts Listing for MPE/LPE/LZ/ZIP/MPG/VU/PWF Appendix 1

MAINS PRESSURE ELECTRIC			
Part No.	Description	Model Reference	Category
079427	ADAPTOR ELECTRONIC THERMOSTAT HD	HEAVY DUTY A610340/430	MPE
11004	ANODE 1125mm	135L,145L,150L Commercial & Electrical 135L, VULCAN 145L, 43113541, GA150	MPE/MPG/VU
11086	ANODE 1340mm	250L TWIN ELEMENT, 31225025	MPE
316653	ANODE 1544mm X 21dia GREEN TOP		MPE/MPG
11085	ANODE 1572mm EA180/300 Various	VU185L & MP Electric,180L,300L Twin Element	MPE/VU
316657	ANODE 1596mm X 27dia GREEN TOP	HEAVY DUTY	MPE/MPG
11011	ANODE 364mm	45L - 31204515	MPE
11000	ANODE 794mm	90L - 31209015	MPE
11009	ANODE 929mm	VULCAN 120L, GA110 and Electric 180L	MPE/MPG/VU
221947	ANODE A420x1686 (Aluminium)	ALL MP (cut to size) & MPG	MPE/MPG
221937	ANODE AZ31X1686 1700MM Mgsm	(Use #221938)	MPE/MPG
316546	ANODE dia 27 x 1550 mm	HEAVY DUTY	MPE/MPG
221938	ANODE M2 X 1636		MPE/MPG
221916	ANODE M2 X 230	25L, 31202519	MPE
11599	CLAMP THERMOSTAT MP/LP	ALL LP and MP PREWIRE (Exclude 25L)	MPE/LPE
102501	CLAMP THSTAT ASSY	MP 25L & COMMERCIAL MPG	MPE/MPG
314165	COVER E&T DEEP	ALL MODELS	
316466	COVER E&T SLIM	ALL MODELS	
11910	COVER E&T LP/MP PREWIRE	ALL MP & LP PREWIRE & TWIN ELEMENT - BASE (Use either 316466 or 314165)	MPE/LPE
14319	ELEMENT 1.5kW TP CTND EA	ALL MP DOMESTIC	MPE
14320	ELEMENT 2.0kW Tin Plated	ALL MP DOMESTIC (8.7 amp)	MPE
311024	ELEMENT 2.4 kW Bolt On and GASKET 10 Amp	25L, 31202519 (10.4 amp sickle)	MPE
15315	ELEMENT 3.0kW Bolt On	MP DOMESTIC INT & EXT - SICKLE TYPE	MPE
14321	ELEMENT 3.0kW Tin Plated	ALL MP DOMESTIC INTERNAL	MPE
050210	ELEMENT 3.6kW Bolt On 15 Amp	Commercial & Domestic EXTL - SICKLE TYPE 15 Amp	MPE
804463	ELEMENT 4.8 KW Bolt On 20 Amp	Commercial & Domestic EXTL - SICKLE TYPE	MPE
14322	ELEMENT 5.0 kW Tin Plated	ALL DOMESTIC INTERNAL (Except 25L)	MPE
14490	ELEMENT 6.0kW Bolt On - Sickle	COMMERCIAL 315L (32 amp)	MPE
050704	ELEMENT GASKET	FOR ALL BOLT ON ELEMENTS - SEAL	MPE
316209	FITTING LINER 3/4 x 25 Noryl NZ	Domestic Electric & MPG (Excl Freeloader)	MPE/MPG
13197	LOOM PREWIRE CYLS MP/LP	ZIP U/SINK, MP & LP PREWIRE (Except BCR)	MPE/LPE/ZIP

Rheem Spare Parts Manual

MAINS PRESSURE ELECTRIC			
Part No.	Description	Model Reference	Category
10908	O-RING ELEMENT SEAL	ZIP U/SINK, LP, DB, DA (Post 1993) & MP	MPE/LPE/ZIP
90041	THERMOSTAT COVER Kit W1/W1703A	DB DAIRY and 15-45 LTR	MPE
10975	THERMOSTAT EWT1L2-520 & Cover 15-45Ltr	U/SINK & MP DOMESTIC (70L & Under) BLUE	MPE/LPE
315825	THERMOSTAT EWT1L2-540 & Cover 70-350Ltr	LP & MP DOMESTIC (90L & Over) & TWIN ELEMENT (BASE) up to 70° BLACK	MPE/LPE
11077	THERMOSTAT EWT2L2-620, Cover, NON SIM	LP & MP TWIN ELEMENT (TOP)	MPE/LPE
051314	THERMOSTAT R/S EWT 1L2501 (HD, OPT.) W1M2	Commercial 50L-Yellow Optima 50°-85° (Klixon)	MPE
051334	THERMOSTAT R/S EWT 1L2544 (HD)	Commercial 50L-Purple 50° - 80° (Klixon)	MPE
051333	THERMOSTAT R/S EWT 1L2-552	HEAT PUMP	MPE
051354	THERMOSTAT RS EWT 1L2543 75DEG OPT.	OPTIMA - BOTTOM ADJUSTABLE	MPE
56609162	THERMOSTAT TANK RAK 112 1020	HEAVY DUTY A610340/430	MPE
15244	VALVE - TPR HTE575-2 1000 kPa	HTE575-2 @ 850 kPa COMMERCIAL & MPG	MPE/MPG
220616	VALVE T&PR 1/2x1000 HTE 55-1 x 1000 kPa	HTE55-1 @ 1000 kPa COMMERCIAL & MPG	MPE/MPG
220604	VALVE T&PR 3/4x1000 HTE715/717	HTE575-1 @ 1000 kPa COMM & MPG	MPE/MPG
220613	VALVE T&PR 3/4x850 HT575	HT575 @ 850 kPa DOMESTIC & MPG	MPE/MPG
11116	VALVE TPR 1000 kPa 1/2 x 1/2	HT55 @ 1000 kPa DOMESTIC SQUAT	MPE
11602	VALVE TPR 850 3/4 x 1 NZ	HTE575-1 @ 850 kPa DOMESTIC (Pre 1994)	MPE
990419	VALVE TPR 850 kPa 1/2X0	HT55 @ 850 kPa 25L (pre 09/92)	MPE
11003	VALVE TPR HT553 1/2" x 1400 kPa	HT55 @ 1400 kPa DOMESTIC 25L (Post 10/92) 45L & NZ MPG 135L, 170L	MPE/MPG
15243	VALVE TPR HTE55-1 850 kPa	HTE55-1 @ 850 kPa DOMESTIC & MPG	MPE/MPG
90422	VALVE TPR HTE55-1 X 1400 kPa	HTE55-1 @ 1400 kPa DOMESTIC TALL & AUST MPG	MPE/MPG
90423	VALVE TPR HTE55-2 850 kPa	HTE55-2 @ 850 kPa Domestic (Pre 88) & MPG	MPE/MPG
15247	VALVE TPR HTE575-2 850 kPa	HTE575-2 @ 850 kPa DOMESTIC (Pre 88)	MPE

Rheem Spare Parts Manual

Appendix 2

LOW PRESSURE ELECTRIC (incl Dairy Water Heaters)			
Part No.	Description	Model Reference	Category
11599	CLAMP THERMOSTAT MP/LP	ALL LP and MP PREWIRE (Exclude 25L)	LPE/MPE
14451	COVER E&T BCR PREWIRED CYLINDER	ZIP UNDERSINK/LP BARE (Use 316466)	LPE/ZIP
14955	COVER E&T DB / Dairy	DB DAIRY (Use 314165)	LPE
11910	COVER E&T LP/MP PREWIRE	ALL MP & LP PREWIRE & TWIN ELEMENT - BASE (Use either 316466 or 314165)	LPE/MPE
314165	COVER E & T DEEP	ALL MODELS	LPE/MPE/ZIP
316466	COVER E & T SLIM	ALL MODELS	LPE/MPE/ZIP
90042	CUTOUT - OVERTEMP EGO	BARE	LPE
14315	ELEMENT 1.0kW Nickel Plated	ALL MODELS	LPE
14316	ELEMENT 1.5kW Nickel Plated	ALL MODELS	LPE
14317	ELEMENT 2.0kW Nickel Plated	ZIP UNDERSINK & LOW PRESSURE (8.7amp)	LPE/ZIP
14318	ELEMENT 3.0kW Nickel Plated	PREWIRE & DA DAIRY (13.1 amp)	LPE
15180	ELEMENT 3/6kW NP DB	DB DAIRY	LPE
14924	FUNNEL PLASTIC DAIRY	DB DAIRY	LPE
90111	GASKET - FIBRE ELEMENT	LP & DA (Pre 1993) DAIRY	LPE
15176	KITSET Components Dairy	DB DAIRY	LPE
13197	LOOM PREWIRE CYLS MP/LP	ZIP U/SINK, MP & LP PREWIRE (Except BCR)	LPE/MPE/ZIP
13196	LOOM WIRING BCR PREWIRE	BCR PREWIRE	LPE
014916	LOOM WIRING DAIRY	DB DAIRY	LPE
10151	NIPPLE BARREL 3/4"x2" DB	DB DAIRY	LPE
10908	O-RING ELEMENT SEAL	ZIP U/SINK, LP, DB, DA (Post '93) & MP	LPE/MPE/ZIP
316197	O-RING & Tap Washer Dairy	DB DAIRY	LPE
14545	PLUG 3/4 BSPT TRI CYL	ALL TRIPLE INLET	LPE
310303	RESTRICTOR INLET	ALL ZIPS & LP UNDERSINK	LPE/ZIP
14933	SOCKET TAP DB	DB DAIRY	LPE
90343	TAP 40mm DAIRY	DA and DB DAIRY	LPE
14935	THERMOMETER	DB DAIRY	LPE
90373	THERMOSTAT - ACTROL 11" 50-100'	AV SERIES 18L & DB, DA (Pre 1997)	LPE/ZIP
90376	THERMOSTAT - EGO - ADJUSTABLE	LP - BARE POST PREWIRE CONS ADJ	LPE
990371	THERMOSTAT A11 40/80c	LP (Pre 1988)	LPE
10185	THERMOSTAT A7 40-80 DEG	LP - BARE 7" POST PREWIRE	LPE
90378	THERMOSTAT- CARAVAN KLIXON 72'	LP - CARAVAN* (15-45 Ltr)	LPE
10975	THERMOSTAT EWT1L2-520 & Cover 15-45Ltr	U/SINK & MP DOMESTIC (70L & Under) BLUE	LPE/MPE
315825	THERMOSTAT EWT1L2-540 & Cover 70-350Ltr	LP & MP DOMESTIC (90L & Over) & TWIN ELEMENT (BASE) up to 70° BLACK	LPE/MPE

Rheem Spare Parts Manual

LOW PRESSURE ELECTRIC (incl Dairy Water Heaters)			
Part No.	Part No.	Part No.	Part No.
11077	THERMOSTAT EWT2L2-620, Cover, NON SIM	LP & MP TWIN ELEMENT (TOP) White	LPE/MPE
315948	THERMOSTAT Kit Dairy	DB DAIRY (Post 05/00)*	LPE
316401	THERMOSTAT EWTI-715	BCR PREWIRE - WETBACK (was #010253)	LPE
14907	TUBE SIGHTGLASS D250	DB DAIRY 250L	LPE
14909	TUBE SIGHTGLASS D350	DB DAIRY 350L	LPE
14910	TUBE SIGHTGLASS D450	DB DAIRY 450L	LPE
315784	VACUUM RELIEF AVH50	DB DAIRY ONLY	LPE
10170	VALVE BALL 3/4"BSP DB	DA and DB DAIRY	LPE

Rheem Spare Parts Manual

Appendix 3

LAZER BOILING WATER			
Part No.	Description	Model Reference	Category
315397	CONTROL Box Lazer PAL 12J 24VDC Pkgd	DESIGNER & MODULAR SERIES	LZ
315880	CORDSET ASSY LAZER 2.5 - 15	CLASSIC, DESIGNER	LZ
314188	COVER TAP SPOUT	DESIGNER & MODULAR SERIES	LZ
310741	DISPLAY PCB Assy	DESIGNER & MODULAR SERIES	LZ
13910	ELBOW-BRASS		LZ
12369	ELEMENT 2.4 kW ASSY LBLDXC Pkgd	DESIGNER (10.4 amp) STRAIGH RHS	LZ
15258	ELEMENT 2.4 kW LONG THRMSTR & GSKT	CLASSIC SERIES (Pre 09/92)	LZ
14515	ELEMENT 4.6KW THRMSTR & GSKT Pkgd	CLASSIC 40L (Post 05/93)	LZ
315883	ELEMENT Modular 25 3.6 kW	MODULAR CLASSIC 25L 15 amp (LHS)	LZ
315884	ELEMENT Modular 40 4.6 kW	MODULAR CLASSIC 40L 20 amp (LHS)	LZ
315882	ELEMENT KIT 2.4kW	MODULAR CLASSIC 15L* (LHS)	LZ
315881	ELEMENT KIT 2.4kW	MDLR DSGNR & MOD CLSSC 2.5L-7.5L(RHS)	LZ
12329	ELEMENT 2.4 kW ASSY Short Pkgd	CLASSIC 2.5 - 15L (Post 05/93) (Bent)	LZ
14521	ELEMENT 3.6KW THRMSTR&GSKT SHRT Pkgd	CLASSIC 25 - 50L (Post 05/93) (Bent)	LZ
15259	ELEMENT 3.6KW THRMSTR&GSKT LONG Pkgd		LZ
315887	FASTENING Kit Modular Designer 2.5-7.5	MODULAR DESIGNER	LZ
90108	FILTER - MESH (Lazer inlet)	CLASSIC (Pre 05/93) To use in filter *	LZ
90457	FILTER Electronic Control Box	CLASSIC	LZ
10470	FILTER INLET ACETAL LARGE NZ	NZ ONLY - PRE MODULAR	LZ
14114	FITTING ASSEMBLY-REAR ENTRY	DESIGNER	LZ
315402	FITTING Inlet/Vent	832 SERIES and MODULAR LAZER SERIES	LZ/ZIP
312142	GASKET Silicone Lazer/Zip (5 Pack)	ZP, 832 SERIES & ALL LAZER (was Part No. 012142)	LZ/ZIP
315873	JACKET Front Assy Modular Designer 2.5	MODULAR DESIGNER 2.5L	LZ
315874	JACKET Front Assy Modular Designer 5.0	MODULAR DESIGNER 5L	LZ
315875	JACKET Front Assy Modular Designer 7.5	MODULAR DESIGNER 7.5L	LZ
316181	JACKET Mod Classic Lazer 5.0 L	MODULAR CLASSIC 5.0L	LZ
316182	JACKET Mod Classic Lazer 7.5L	MODULAR CLASSIC 7.5L	LZ
90224	KITSET - Solenoid Valve Seat	CLASSIC DESIGNER *	LZ
316580	LAZER Replacement Solenoid & ECB Kit	PRE MODULAR 04/1999	LZ
15685	LEAD ASSY F QC TAB-M UNIPIN LZ	CLASSIC (Pre 05/93) HI-LO TO CTRL BOX *	LZ
14151	LOOM - WIRING LBE050		LZ
315392	LOOM WIRING C15	MODULAR CLASSIC 15L	LZ
315395	LOOM WIRING C25	MODULAR CLASSIC 25L	LZ
315872	LOOM WIRING C40	MODULAR CLASSIC 40L	LZ
10474	LOOM WIRING LA025	CLASSIC 2.5L	LZ
10419	LOOM WIRING LA250	CLASSIC 25L	LZ
10770	LOOM WIRING LA400	CLASSIC 40L	LZ
10503	LOOM WIRING LA500	CLASSIC 50L	LZ
14150	LOOM WIRING LBE025		LZ

Rheem Spare Parts Manual

LAZER BOILING WATER			
Part No.	Description	Model Reference	Category
14238	LOOM WIRING LDA025	MODULAR CLASSIC & DESIGNER 2.5L	LZ
14240	LOOM WIRING LDA075	MODULAR CLASSIC & DESIGNER 7.5L	LZ
10740	LOOM-WIRING LBN025	DESIGNER 2.5L	LZ
12422	LOOM-WIRING LBN050	DESIGNER 5L	LZ
12423	LOOM-WIRING LBN075	DESIGNER 7.5L	LZ
10723	LOUVRE LB LD	DESIGNER & MODULAR DESIGNER	LZ
90261	NIPPLE - HI-LO PROBE	CLASSIC (Pre 1988)	LZ
90269	NUT High/Low Probe	CLASSIC (Pre 1988)	LZ
90277	O-RING Gauge Glass Hi/Low Probe (Pack 10)	ALL AUTO LAZERS & ZIPS	LZ/ZIP
312029	PROBE Assy Lazer Hi/Lo 2.5 - 50 Litre	LAZERS	LZ
10465	RELAY LA250 PKGD	CLASSIC 25L, MODULAR CLASSIC 25L	LZ
10771	RELAY LA400 PKGD	CLASSIC 40L, MOD. CLASSIC 40L - push on	LZ
14461	RELAY LA500 PKGD	CLASSIC 50L (Pre 05/93)	LZ
315888	SEAL KIT	ALL LAZER MODELS	LZ
10556	SEAL TAP (Pack 5)	VE,VS,ZP & 832 SERIES & ALL LAZER - Tomlinson*	LZ/ZIP
314183	SLEEVE Outlet Tap (Pack 5)	DESIGNER & MODULAR DESIGNER	LZ

Rheem Spare Parts Manual

Appendix 4

ZIP BOILING WATER			
Part No.	Description	Model Reference	Category
14317	ELEMENT 2.0kW Nickel Plated	ZIP UNDERSINK & LOW PRESS	ZIP/LPE
90078	ELEMENT 2.3kW Forged Boss	V SERIES	ZIP
90083	ELEMENT 2.3kW Pressed Boss	V, VE and VS SERIES	ZIP
316017	ELEMENT 2.4kW & Gasket	832 SERIES	ZIP
315402	FITTING Inlet/Vent	832 SERIES and MODULAR LAZER SERIES	ZIP/LZ
13683	FUSE THERMAL ZP	ZIP SERIES THERMOSTAT	ZIP
312142	GASKET Silicone Lazer/Zip (Pack 5)	ZP, 832 SERIES & ALL LAZER (was 012142)	ZIP/LZ
90124	GAUGEGLASS 330mm	V SERIES 13I & 832 SERIES 4.5L	ZIP
90126	GAUGEGLASS 425mm	V SERIES 27L & 832 SERIES 7L	ZIP
90127	GAUGEGLASS 477mm	VE, VS, 16L & 832 SERIES 15L,23L, 34L	ZIP
990215	KIT KNOB & SCREW 3WT	FOR 3 WAY TAP	ZIP
90217	KIT WASHER & GASKET	IN 3 WAY TAP FOR V SERIES	ZIP
15751	KIT KNOB & NUT	V SERIES	ZIP 'V'
13197	LOOM PREWIRE CYLS MP/LP	ZIP U/SINK, MP & LP PREWIRE (Except BCR)	ZIP/LP/MPE
315958	LOOM WIRING ZIP 15-35	832 SERIES 15L, 23L, 34L	ZIP
315949	LOOM WIRING Zip 4.5-7.0	832 SERIES 4.5 - 7L	ZIP
90267	NUT TAPER TEA TAP	V SERIES SPARES	ZIP
10908	O-RING ELEMENT SEAL	ZIP U/SINK, LP, DB, DA (Post 1993) & MP	ZIP/LP/MPE
90277	O-RING Gauge Glass Hi/Low Probe(Pack 10)	ALL AUTO LAZERS & ZIPS	ZIP/LZ
10316	RELAY ZP	ZP & 832 SERIES	ZIP
310303	RESTRICTOR Inlet	ALL ZIPS & LP UNDERSINK	ZIP/LPE
10556	SEAL TAP (Pack 5)	VE,VS,ZP & 832 & ALL LAZER	ZIP/LZ
14252	SWITCH START ZP POST 96	ZP SERIES (POST 03/96) & 832 SERIES	ZIP
315877	TANK & Insulation Assy 4.5-5.0	832 SERIES 4.5L & MOD SERIES 5L LAZER	ZIP/LZ
315878	TANK & Insulation Assy 7.0-7.5	832 SERIES 7L & MOD SERIES 7.5L LAZER	ZIP/LZ
10499	TAP & O-RING	ZP,832 SERIES & MANUAL,CLSSC & MOD LZ	ZIP/LZ
90342	TAP 3 WAY COMPLETE	FOR USE ON V SERIES	ZIP
316198	TAP extn Kit, plastic mod. Classic/Zip	832 SERIES & MODULAR CLASSIC LAZER	ZIP/LZ
315889	TAP Surround & Badge, mod. C-lazer/Zip	832 SERIES & MODULAR CLASSIC LAZER	ZIP/LZ
	TAP-Head Assy Locking Tomlinson	ZP,832 SERIES & CLASSIC& MOD CLSSC LZ	ZIP/LZ
90352	TAP-HEAD ASSY TOMLINSON	ZP,832 SERIES & CLASSIC& MOD CLSSC LZ	ZIP/LZ
316016	THERMODISC & O-RING	832 SERIES	ZIP
90373	THERMOSTAT - ACTROL 11"50-100'	AV SERIES 18L & DB, DA (Pre 1997)	ZIP/LPE
10189	THERMOSTAT ZIP/ K Model EGO	ZIP UNDERSINK	ZIP
315839	TUBE SILICONE Kit	832 SERIES & MOD SERIES LAZ	ZIP/LZ
316015	VALVE Anti Siphon Kit	832 SERIES	ZIP

Rheem Spare Parts Manual

Appendix 5

MAINS PRESSURE GAS & STELLAR			
Part No.	Description	Model Reference	Category
90002	ADAPTOR - UNITROL 15mm-20mm	FOR USE WITH VALVES R110RT,R220RT	MPG
079426	ADAPTOR - EUROSIT 16 SHANK X 14 THREAD	441135 & 441170	MPG
108204	AIR DUCT BASE 63/265	631 SERIES 265L	MPG
11004	ANODE 1125mm	135L,145L,150L Commercial & Electrical 135L, VULCAN 145L, 43113541, GA150	MPG/VU/MPE
10999	ANODE 1448mm	43117041	MPG
310999	ANODE 1399mm GA170	GA170	MPG
316653	ANODE 1544mm X 21dia GREEN TOP	ALUMINIUM ANODE	MPG/MPE
316657	ANODE 1596mm X 27dia GREEN TOP	HEAVY DUTY	MPG/MPE
11009	ANODE 929mm	VULCAN 120L, GA110 and Electric 180L	MPG/VU/MPE
221947	ANODE A420x1686 (Aluminium)	ALL MP (cut to size) & MPG	MPG/MPE
221937	ANODE AZ31X1686 1700mm Mgsm	ALL DOMESTIC (Use #221938)	MPG/MPE
221938	ANODE M2 X 1636mm	ALL DOMESTIC	MPG
316546	ANODE dia 27 x 1580mm	HEAVY DUTY	MPG/MPE
221914	ANODE M2 X 1153	HEAVY DUTY	MPG
11590	BAFFLE FLUE GA135	43113541	MPG
11589	BAFFLE FLUE GA170	43117041	MPG
108177	BRACKET ECO MOUNT 265/275	62/63/621/631 SERIES	MPG
070200	BURNER COMP 290/27S TS NG 5ST	STELLAR CONV KIT NG	MPG
070366	BURNER/CONTROL ASSY 160/16S TS BUT 5ST	STELLAR CONV KIT LPG	MPG
070462	BURNER/CONTROL ASSY 190/16S TS PRO HD	2000/2003	MPG
070368	BURNER/CONTROL ASSY 290/27S TS NG 5ST	STELLAR Conv NG (use #070200 & 079421)	MPG
070464	BURNER/CONTROL ASSY 320/27S NG HD		MPG
070458	BURNER/CONTROL ASSY 320/27S TS NG HD		MPG
316474	BURNER & Valve Assy 441 Ser.135L Euro NG	44113541, A311135NO	MPG
316475	BURNER & Valve Assy 441 Ser.170L Euro NG	44117041, A311170NO	MPG
316476	BURNER Pilot Spare 441 Series Euro LPG	44113541, 44117041, A311135LPG	MPG
074453	BURNER ASSY HSI 265	621/631 SERIES	MPG
074454	BURNER ASSY HSI 275	621/631 SERIES	MPG
074426	BURNER ASSY NG 62/265	62/63 SERIES 265L	MPG
070834	BURNER FD PPE ASSY 1.90	SPRINT	MPG
079537	BURNER FD PPE ASSY 275L NG	62/63/621/631 SERIES 265L/275L	MPG
070801	BURNER FEED PIPE 080,090,135,170	43113541, 43117041, GA110, GA150	MPG
079510	BURNER FEED PPE ASSY 265L	60/61 SERIES 280L, 62/63/621/631 SERIES 265L	MPG
075601	BURNER HEAD ASSY 290L	60 SERIES 290 L	MPG
053002	CABLE ELEC STRPD 500 LPG	FOR V4400, V8800 MPG CONTROL	MPG
102501	CLAMP THSTAT ASSY	MP 25L & COMMERCIAL MPG	MPG/MPE
079424	CONTROL EUROSIT INTLK LPG RED	LPG STELLAR, 441, 80-260 AUST	MPG
079421	CONTROL EUROSIT INTLK NG BLK	NG STELLAR, 441, 80-260 AUST	MPG
079500	CONTROL W-R 36C90H-408 (HSI 621/631)	621/631 SERIES 265L, 275L	MPG
079501	CONTROL V4400 240V	60/61 SERIES 280L, 290L, 62/63 SERIES HONEYWELL	MPG

Rheem Spare Parts Manual

MAINS PRESSURE GAS & STELLAR			
Part No.	Description	Model Reference	Category
079519	CONTROL V8800A 24V	62 SERIES 275L Only - Discontinued	MPG
15311	CONTROL UNITROL 220RT Pilot tube UNF 7/16"KIT NG	VULCAN 69 SERIES & 60/61/62/63 SERIES 260L, 43113541, 43117041	MPG/VU
15313	CONTROL UNITROL KIT 220RT Pilot tube UNF 7/16"LPG	VULCAN 69 SERIES & 60/61/62/63 SERIES 260L, 43113541, 43117041	MPG/VU
072701	CONTROL UNITROL 7000 BGOR	65 SERIES 260L	MPG
072901	CONTROL UNITROL 7000 GORHC	65 SERIES 270L	MPG
11006	CONTROL VALVE SIT AC3	VULCAN 69 SERIES, 60,61,62,63 SERIES 260L, 43113541, 43117041	MPG/VU
15679	CONVERSION KIT LPG 621,631/265	621/631 SERIES 265L ONLY	MPG
15680	CONVERSION KIT LPG 621,631/275	621/631 SERIES 275L ONLY	MPG
14465	CONVERSION KIT LPG 60,16,62,63/260	LPG - A62260, A63260	MPG
90182	CONVERSION KIT LPG GA170	LPG - 43117041	MPG
90185	CONVERSION KIT - LPG	A61-280	MPG
90181	CONVERSION KIT - LPG	LPG - A38135 & A38170	MPG
90188	CONVERSION KIT - LPG	LPG - GA110, 43113541, GA150	MPG
90184	CONVERSION KIT - NG	43117041, 31 SERIES 170L, 41 SERIES 200L	MPG
90187	CONVERSION KIT - TG	A31-200	MPG
90192	CONVERSION KIT LPG, GA SERIES	GA SERIES, 31 SERIES 90 - 200L, 41 SERIES 200L	MPG
90199	CONVERSION KIT NG GA110,135,150	43113541, GA110, GA150	MPG
14466	CONVERSION KT LP60/280,62,63/265	60 SERIES 290L, 62/63 SERIES 275L	MPG
14467	CONVERSION KT LP60/290,62,63/275	LPG - A65270, A60290, A62275, A63275	MPG
101308	COVER ACCESS 850 SERIES	STELLAR 130L and 160L	MPG
104603	COVER ACCESS SQ MPG B/ALM	61 SERIES 280L - RUN OUT	MPG
108305	COVER MPG CNTRL 62/275 ASS HSI B/ALM	621 SERIES 275L	MPG
053045	DAMPER FLUE GOYEN 240V WITH FUSE	A621275	MPG
857465	DAMPER ACTUATOR FLUE 24V	621 SERIES 275L	MPG
90050	DIAL - TEMPERATURE (SIT AC3 BLACK)	SIT AC3 - VARIOUS MODELS	MPG
90054	DIAL- TEMPERATURE R110RT	ROBERTSHAW UNITROL MODELS	MPG
857364	DIAL-MPG COCK 7000	65 SERIES 270L ONLY	MPG
90057	DIAPHRAGM- 7000 GORHC	HEAVY DUTY	MPG
316364	DRAUGHT DVTR Pwdr ctd MPG J/Grey 75mm	43113541, 43117041	MPG
108113	DRAUGHT DVTR ASSY 265L P/C BLK 125mm	60 SERIES 280L, 62/621 SERIES 265L	MPG
108145	DRAUGHT DVTR ASY 62/275 PC BLK 200 mm	60 SERIES 290L, 62/621 SERIES 275L, 65 SERIES 270L	MPG
102806	DRAUGHT DVTR SUB-ASSY 260L 100 mm	60 SERIES 260L	MPG
890280	ELECTRONIC SENSOR KIT HD MPG WITH HSI	HEAVY DUTY	MPG
890279	ELECTRONIC THERMOSTAT KIT HD MPG	HEAVY DUTY	MPG
053017	FAN MODULE ASSY 61/290	63/631 SERIES 275L	MPG
088037	FITTING EXTENSION 1/2 x 45 W/SHOULDER	STELLAR 130L and 160L	MPG

Rheem Spare Parts Manual

MAINS PRESSURE GAS & STELLAR			
Part No.	Description	Model Reference	Category
088038	FITTING EXTENSION 3/4 x 45 W/SHOULDER	STELLAR 130L and 160L	MPG
316209	FITTING LINER 3/4 x 25 Noryl NZ	DOMESTIC ELECTRIC&MPG (excl Freeloader)	MPG/MPE
079404	FITTING NUT&OLIVE SIT CONTROL	SIT AC3	MPG
108154	FLUE BAFFLE ASSY 275L	62/63/621/631 SERIES 265L & 275L	MPG
108189	FLUE BAFFLE ASSY 62/265 100MJ	62/621 SERIES 265L	MPG
108191	FLUE BAFFLE ASSY 63/265 100MJ	63/631 SERIES 265L	MPG
108263	GUARD RAIN B/ALM	631 SERIES 265L	MPG
890306	HOSE MPG SUPPLY FOR ROOM HEATER		MPG
079615	HSI CONTROLLER WR 50A72-178 (female connector)	A621265, A631265, A62/63-275 (Post Feb 05)	MPG
079612	HSI CONTROLLER W-R 50A72-298 VOL L/O (male connector)	621/631 SERIES Post 10/01 (was Part No, 079600 Pre Feb 05)	MPG
071420	HSI IGNITOR (Si N)/FLAME PROBE	621/631 SERIES	MPG
079508	INDICATOR PILOT 280,290 L	HEAVY DUTY	MPG
073319	INJECTOR NIPPLE 1.6	LPG - A850330 & A850360	MPG
073504	INJECTOR NIPPLE 1/2" 2.5	LPG - A621/631 - 275	MPG
073503	INJECTOR NIPPLE 1/2" 2.9	621/631 SERIES 265L	MPG
073350	INJECTOR NIPPLE 5/16" 1.10	LPG - A38135 & A38170	MPG
073351	INJECTOR NIPPLE 5/16" 1.30	LPG - A41200 & A31200	MPG
073368	INJECTOR NIPPLE 5/16" 1.40	LPG - A311135 & A311170	MPG
073353	INJECTOR NIPPLE 5/16" 1.55		MPG
073370	INJECTOR NIPPLE 5/16" 1.65		MPG
073323	INJECTOR NIPPLE 5/16" 1.90	LPG - A62/63-260	MPG
073321	INJECTOR NIPPLE 5/16" 2.05	NG - A38-135	MPG
073325	INJECTOR NIPPLE 5/16" 2.25	NG - A38-170	MPG
073327	INJECTOR NIPPLE 5/16" 2.45	NG - A31-090	MPG
073328	INJECTOR NIPPLE 5/16" 2.60	NG - 43117041, A31135, A31200, A41200	MPG
073336	INJECTOR NIPPLE 5/16" 2.80	STELLAR 130L and 160L	MPG
073334	INJECTOR NIPPLE 5/16" 3.10		MPG
073345	INJECTOR NIPPLE 5/16" 3.20	NG - A62/63-260 (65 SERIES)	MPG
073343	INJECTOR NIPPLE 5/16" 4.80		MPG
073904	INJECTOR NIPPLE 5/8" 3.2	621275LPG	MPG
073903	INJECTOR NIPPLE 5/8" 3.8	621/631 SERIES 275L	MPG
073902	INJECTOR NIPPLE 5/8" 6.00	NG - A65-270	MPG
15640	INJECTOR S 1.45		MPG
15642	INJECTOR S 2.3		MPG
90151	INJECTOR S 4.50	TOWN - GA110, GA150, 43113541	MPG
90153	INJECTOR S 5.80		MPG
220901	INLET DIFFUSER	43113541, 43117041, GA110, GA150,STELLAR	MPG
101213	JKT TOP 850 SERIES	STELLAR 130L and 160L	MPG
315838	KIT MPG 431 SERIES DRAFT DIVERTER & TPR	43113541, 43117041 (Post 08/99)	MPG

Rheem Spare Parts Manual

MAINS PRESSURE GAS & STELLAR			
Part No.	Description	Model Reference	Category
859976	KIT HONEYWELL LPG TO NG CONV V4400	V4400/V8800 SERIES	MPG
299135	KIT RHEEM MPG HD ROOM SEALED	A631275 ONLY	MPG
295019	KIT-THERMOCOUPLE NG/TLP/TOWNS	FREELoader (replaces 273004)	MPG
295018	KIT-THERMOCOUPLE PROPANE	FREELoader - LPG	MPG
90228	KNOB- PILOT ON/OFF R110RT	FOR USE WITH R110RT, R220RT	MPG
316395	LATCH, 40mm Black Plastic, Cam Action		MPG
807910	MAG ASSY H/WELL 45002776-012	60/61 SERIES 280L, 290L 62/63 SERIES	MPG
857263	MAG VALVE ASSY BGOR 83390	65 SERIES 270L (1982 - 1988)	MPG
054056	MICROSWITCH 63/275 HSI	631 SERIES 275 L	MPG
11007	OLIVE PILOT TUBE	COMMERCIAL & DOMESTIC	MPG
890202	PIEZO EUROSIT ONLY	STELLAR, 441 & A3111	MPG
071903	PIEZO IGNITER SCREW-IN	69 SERIES, ALL DOMESTIC, 62 SERIES 260L	MPG/VU
074803	PILOT 2CH NG	62/63 SERIES 265L, 275L, 65 SERIES 270L	MPG
15381	PILOT ASSY 2BL SPRK PLUG & LD	43113541, 43117041, GA110, GA150	MPG
070946	PILOT ASSY TS LPG 5ST S14	DOMESTIC EXTERNAL (441)	MPG
070945	PILOT ASSY TS NG 5ST S24	DOMESTIC EXTERNAL (441)	MPG
071602	PILOT FEED PIPE 265L	60/61 SERIES 280L (Use #890234)	MPG
890234	PILOT FEED PIPE 1M STRAIGHT	60/61 SERIES 280L	MPG
071507	PILOT FEED PIPE 90-170L SIT	DOMESTIC EXTERNAL * STELLAR)	MPG
10979	PILOT FEED PIPE (GA SERIES)	43113541, 43117041, GA110, GA150	MPG
079513	PILOT INDCTR CNCT SET 280,290L	62/63 SERIES 265L, 275L, 280L, 290L	MPG
856868	PILOT INJECTOR No 18 NG 265-275	NG - OLD COMMERCIAL	MPG
856666	PILOT INJECTOR No 21	TOWN - OLD COMMERCIAL	MPG
856766	PILOT INJECTOR No10 BUTANE 265-275	LPG - OLD COMMERCIAL	MPG
143902	PILOT SHIELD SIT DOMESTIC	441	MPG
856566	PILOT SPUD 2BL LP 27270 R8	LPG - A62/63-260	MPG
856565	PILOT SPUD 2BL NG 76377 R11	NG - A62/63-260, Vulcan	MPG
856568	PILOT SPUD No. 16	VARIOUS OLD DOMESTIC (55 SERIES)	MPG
890197	PILOT INJECTOR LPG 0.18 SIT	DOMESTIC EXTERNAL * STELLAR 130	MPG
890180	PILOT INJECTOR NG 0.24 SIT	DOMESTIC EXTERNAL	MPG
890181	PILOT INJECTOR NG 0.27 SIT	DOMESTIC EXTERNAL * STELLAR	MPG
890198	PILOT INJECTOR TWN 0.40 SIT	DOMESTIC EXTERNAL	MPG
053015	PRESSURE IMPULSE TUBE		MPG
860244	PUMP GRUNDFOS UPS40-60/2B 3ph no Unions		MPG

Rheem Spare Parts Manual

MAINS PRESSURE GAS & STELLAR			
Part No.	Description	Model Reference	Category
053012	RELAY OMRON MY2NA240	63/631 SERIES 275L	MPG
071702	SPARK PLUG & LEAD 200,280L (550MM)	VULCAN 69 & 60/61 SERIES 280L, 62/63-265L	MPG/VU
071704	SPARK PLUG & LEAD 290L (750MM)	62/63 SERIES 275L	MPG
071701	SPARK PLUG & LEAD 350	62/63 SERIES 260L	MPG
890175	SPARK PLUG & LEAD SIT	STELLAR 130L and 160L	MPG
071706	SPARK PLUG 44mm & LEAD 400mm	60 SERIES 260L	MPG
855663	SPRING - R110RT LP REG (1512368)	R110RT, 7000 SERIES - RUN OUT	MPG
858063	SPRING CONVERSION NG 7000	7000 SERIES	MPG
079520	SPRING LP CONV W-R 265/275L	621/631 SERIES ONLY	MPG
855764	SPRING R110RT NG REG 51169	R110RT, 7000 SERIES	MPG
053008	SWITCH ECO MAN RESET 265/275	62/631/621/631 SERIES 290L, 61 SERIES 280L	MPG
033014	SWITCH PRESSURE 62,63/275	63/631 SERIES 275L	MPG
053014	SWITCH PRESSURE HONEYWELL	HEAVY DUTY	MPG
108164-1	TERMINAL ASSY 63/265 JOEY GREY	A63265	MPG
104755	TERMINAL ASSY RHEEM 850 SERIES	STELLAR 130L and 160L	MPG
071410	THERMOCOUPLE 440 LG TS WITH CLIP	GA, 431, A63260 (Use #071417)	MPG
071413	THERMOCOUPLE 455 LG W/O CLIP	60 SERIES 260L	MPG
071415	THERMOCOUPLE 460 LG LOW MASS		MPG
071417	THERMOCOUPLE 475 LG TS WITH CLIP	A62/63-260	MPG
071416	THERMOCOUPLE 610 LG	COMMERCIAL	MPG
071403	THERMOCOUPLE 914 LG 290L	60/61-290L, 62/63-265L, 65-260L, 270L	MPG
071428	THERMOCOUPLE TS SIT 450 LG	STELLAR 130L and 160L	MPG
052905	THERMOSTAT 1NT11L-2937	60/61/62/63/621/631 SERIES	MPG
052806	THERMOSTAT R/S HD GAS EWT 1L2522 Brown	60/61/62/63/621/631 SERIES (Brown)	MPG
15244	VALVE - TPR HTE575-2 1000 kPa	HTE575-2 @ 850 kPa COMMERCIAL & MPG	MPG/MPE
851958	VALVE MAGNETIC R110RT	FOR USE WITH R110RT - RUN OUT	MPG
220616	VALVE T&PR 1/2x1000 HTE 55-1 x 1000 kPa	HTE55-1 @ 1000 kPa COMMERCIAL & MPG	MPG/MPE
220604	VALVE T&PR 3/4x1000 HTE715/717	HTE575-1 @ 1000 kPa COMMERCIAL & MPG	MPG/MPE
220613	VALVE T&PR 3/4x850 HT575	HT575 @ 850 kPa DOMESTIC & MPG	MPG/MPE

Rheem Spare Parts Manual

Appendix 6

VULCAN			
Part No.	Description	Model Reference	Category
11009	ANODE 929mm	VULCAN 120L, GA110 and Electric 180L	VU/ MPE/MPG
6017831	BRACKET WALL MOUNT	69 SERIES	VU
6928814	BURNER ASSY COMPLETE LPG	69 SERIES - LPG	VU
6925825	BURNER ASSY COMPLETE NG.	69 SERIES - NG	VU
14487	CONVERSION KIT LP 69/120,145,185	69 SERIES 120L, 145L, 185L	VU
602527	COVER	69 SERIES	VU
6925837	GRILLE FLUE TERMINAL END	69 SERIES	VU
273038	INJECTOR BURNER NZ LPG 1.25	ALL MODELS	VU
600210	INJECTOR V 4.30	ALL MODELS	VU
071903	PIEZO IGNITER SCREW-IN	69 SERIES, ALL DOMESTIC, 62 SERIES 260L	VU/MPG
6025868	PILOT ASSY. NG COMPLETE	68 SERIES - excl t'couple	VU
6028823	PILOT ASSY.LPG COMPLETE	69 SERIES - excl t'couple	VU
6025869	PILOT HOOD	69 SERIES	VU
602553	PIPE BURNER (NO INJECTOR)	69 SERIES	VU
6025858	PIPE PILOT OFFSET	DELETED	VU
692531	PIPE PILOT STRAIGHT	DELETED	VU
274034	SCREW THUMB 3/16 X12.5	69 SERIES	VU
6925836	SEAL FLUE OUTLET	69 SERIES	VU
071702	SPARK PLUG & LEAD 200,280L (550MM)	VULCAN 69 SERIES & 60/61 SERIES 280L, 62/63 SERIES 265L	VU/MPG
6925832	THERMOCOUPLE 600mm TS SCRW - LPG	69 SERIES - LPG - (Use part #295018)	VU
295018	THERMOCOUPLE - LPG	69 SERIES - LPG	VU
295019	THERMOCOUPLE - NG	69 SERIES - NG	VU
15311	THERMOSTAT-UNITROL KIT 220RT Pilot tube UNF 7/16" NG.	VULCAN 69 SERIES & 60/61/62/63 SERIES 260L, 43113541, 43117041	VU/MPG
15313	THERMOSTAT-UNITROL KIT 220RT Pilot tube UNF 7/16" LPG	69 SERIES & 60/62/63 SERIES 260L	VU
6025841	VALVE - TPR/HW HTT55/1 1400	69 SERIES	VU
11006	VALVE SIT AC3	VULCAN 69 SERIES, 60,61,62,63 SERIES 260L, 43113541, 43117041	VU/MPG

Rheem Spare Parts Manual

Appendix 7

POWERFIN MPG BOILER			
Part No.	Description	Model Reference	Category
860085	ACTUATOR MPG VALVE 24V 1 1/2	ALL MODELS	PWF
860080	ACTUATOR MPG VLV 240V 1 1/2	ALL MODELS	PWF
860041	ADAPTOR FLANGE & PIPE PWRFIN	ALL MODELS	PWF
860091	BOLT HEADER/BURNER BLT2701	ALL MODELS	PWF
860059	BURNER ASSY CMPLT 91/1060	1060 MJ	PWF
860021	BURNER ASSY CMPLT 91/540	540 MJ	PWF
860058	BURNER ASSY CMPLT 91/800	800 MJ	PWF
860020	BURNER MAIN 270 BNR3700 P/F	270 MJ	PWF
860065	CONVERSION KIT LPG 91/1060	1060 MJ	PWF
860064	CONVERSION KIT LPG 91/800	800 MJ	PWF
860033	FAN 91/270	270 MJ	PWF
860034	FAN 91/540	540 MJ	PWF
860061	FAN 91/80 91/1060	800 MJ and 1060 MJ	PWF
860025	FLAME ROD RLY2705 P/F	ALL MODELS	PWF
860035	GASKET KIT GKT3700 P/F	ALL MODELS	PWF
860057	GASKET MAIN BURNER 91 SERIES	ALL MODELS	PWF
860079	GASKET TOP/BOTTOM P/F GKT2714	ALL MODELS	PWF
860066	GAUGE TEMPERATURE 91 SERIES	ALL MODELS	PWF
860024	IGNITION MODULE RLY2799 P/F	ALL MODELS	PWF
860022	IGNITOR HOT SURFACE PLT 2702	ALL MODELS	PWF
860051	KIT LP (91/270) LPG0003	270 MJ	PWF
860052	KIT LP (91/540) LPG0000 (500)	540 MJ	PWF
860098	LAMP INDICATOR AMBER	ALL MODELS	PWF
860099	LAMP INDICATOR CLEAR 91 SERIES	ALL MODELS	PWF
860100	LAMP INDICATOR GREEN 91 SERIES	ALL MODELS	PWF
860097	LAMP INDICATOR RED 91 SERIES	ALL MODELS	PWF
860089	PLATE BOTTOM HEADER 91 SERIES	ALL MODELS	PWF
860088	PLATE TOP HEADER 91 SERIES	ALL MODELS	PWF
860086	REGULATOR 2" RV91 91/800,1060	800 MJ and 1060 MJ	PWF
860070	REGULTR 1 1/4 RV81 91/270,540AO	270 MJ and 540 MJ	PWF
860075	RELAY OMRON MY2 24VAC	ALL MODELS	PWF
860026	RESET HI-LIMIT HLC2702 (P/F)	ALL MODELS	PWF
860094	SWITCH AMBER ON/OFF 91 SERIES	ALL MODELS	PWF
860032	SWITCH BLOCKED DRAIN PRS2704	ALL MODELS	PWF
860029	SWITCH BLOCKED FLUE PRS2708 PF	ALL MODELS	PWF
860005	SWITCH FLOW FS4-3 WTR2040 C-PF	ALL MODELS	PWF
860016	SWITCH MPG AUTO PR PRS2040	ALL MODELS	PWF
860030	SWITCH LOW AIR 250 PRS2705 P/F	ALL MODELS	PWF
860031	SWITCH LOW AIR 500 PRS2706 (P/F)	ALL MODELS	PWF
860062	SWITCH LOW AIR PRSSR 91/1060	1060 MJ	PWF

Rheem Spare Parts Manual

Appendix 7

POWERFIN MPG BOILER			
Part No.	Description	Model Reference	Category
860028	SWITCH LOW MPG (P/F) PRS2702	AL MODELS	PWF
860027	THERMOSTAT OPERATOR TST2701 (P/F)	ALL MODELS	PWF
860096	TIMER POST PURGE RLY2707	ALL MODELS	PWF
860095	TIMER/RELAY PREPURGE RLY2714	ALL MODELS	PWF
860077	TRANSFORMER 240/24 V 91 SERIES	ALL MODELS	PWF
860019	VALVE MPG 1" 24V 91/270 POWER FIN	270 MJ	PWF
860018	VALVE MPG 1"V88A 24V 91/270	270 MJ	PWF
860060	VALVE MPG 1 1/2"X24V POWER FIN	540 MJ	PWF
860063	VALVE MPG 2" X240V POWER FIN	540 MJ	PWF
860017	VALVE T&PR 1" FVX-3C CASH AC	ALL MODELS	PWF
860056	VALVE TPR CASH FVX 5L PF	ALL MODELS	PWF

Rheem Spare Parts Manual

Appendix 8

Raypak	
Part No.	Description
56950971	115 GALLON TANK (430 LTR)
56609042	24V ACTUATOR
56609040	30 MV ELECTROMAGNET
56609041	750 MV ACTUATOR
56070134	ACCESS GROUP BOILER 147
56501406	ADAPTOR 3/4" X 1/2"
56501557	ADAPTOR 50 MM PVC RP2100
56859022	ALLEN KEY 7/32" UNBRAKO
56400275	ALUMINIUM PILOT TUBE 650 MM X 6 MM
56609150	AMBIENT TEMPERATURE SENSOR TS5751
56600893	AUTO RESET THERMOSTAT 60 DEGREE Celsius
56600188	AUTO RESET THERMOSTAT BASE PO167
56609088	AUTOMATIC AIR VENT 3/8"
56609095	AUTOMATIC AIR VENT 3/8" VALMAT
56509274	BALL VALVE F & F
56509263	BALL VALVE M & F
56609180	BELIMO ACTUATOR LMC24SR
56659057	BLUE WIRE HIGH TENSION
56065151	BOILER FLUE COLLECTOR ASSEMBLY 427
56350646	BOILER HEADER INLET/OUTLET BRONZE 195/425/426
56059050	BOILER HEADER INLET/OUTLET BRONZE 9 TUBE 195/425
56068558	BOILER HEADER INLET/OUTLET BRONZE 972/1922
56001994F	BOILER HEADER INLET/OUTLET CAST IRON 133
56001996F	BOILER HEADER RETURN 133
56350761	BOILER HEADER RETURN BRONZE SERIES 4
56350442	BOILER INLET HEADER ADAPTOR BRONZE SERIES 4
56059587	BOILER INLET/OUTLET HEADER 4 PASS 147
56058558	BOILER INLET/OUTLET HEADER BRONZE 972/1922
56609129	BOILER PRESSURE SWITCH 70 KPA
56350361	BOILER RETURN HEADER CAST IRON 109/147 2 PASS
56058480	BOILER TUBE BUNDLE COPPER 1142/1182
56058481	BOILER TUBE BUNDLE COPPER 1242/1292
56058482	BOILER TUBE BUNDLE COPPER 1362/1412
56058485	BOILER TUBE BUNDLE COPPER 1852/1922
56060782	BOILER TUBE BUNDLE COPPER 2004/2214
56060783	BOILER TUBE BUNDLE COPPER 2404/2634
56060784	BOILER TUBE BUNDLE COPPER 2804/3164
56060785	BOILER TUBE BUNDLE COPPER 3304/3694
56060786	BOILER TUBE BUNDLE COPPER 3804/4224
56070412	BOILER TUBE BUNDLE COPPER 507
56002369	BOILER TUBE BUNDLE COPPER 516
56002369	BOILER TUBE BUNDLE COPPER 516
56699202	BOILER TUBE BUNDLE COPPER 725
56059108	BOILER TUBE BUNDLE COPPER 868

Rheem Spare Parts Manual

Raypak	
Part No.	Description
56059105	BOILER TUBE BUNDLE COPPER SUIT BRONZE HEADERS 538
56070205	BOILER TUBE BUNDLE COPPER WITH BRONZE HEADERS 109
56860233	BOILER TUBE BUNDLE COPPER WITH BRONZE HEADERS 109
56058552	BOILER TUBE BUNDLE COPPER WITH BRONZE HEADERS 1142/1182
56058587	BOILER TUBE BUNDLE COPPER WITH BRONZE HEADERS 1362/1412
56059584	BOILER TUBE BUNDLE COPPER WITH BRONZE HEADERS 147
56058046	BOILER TUBE BUNDLE COPPER WITH BRONZE HEADERS 195
56070252	BOILER TUBE BUNDLE COPPER WITH BRONZE HEADERS 197
56070253	BOILER TUBE BUNDLE COPPER WITH BRONZE HEADERS 277
56070253	BOILER TUBE BUNDLE COPPER WITH BRONZE HEADERS 277
56070254	BOILER TUBE BUNDLE COPPER WITH BRONZE HEADERS 347
56002451	BOILER TUBE BUNDLE COPPER WITH BRONZE HEADERS 425
56070255	BOILER TUBE BUNDLE COPPER WITH BRONZE HEADERS 427
56070425	BOILER TUBE BUNDLE COPPER WITH BRONZE HEADERS 507
56059159	BOILER TUBE BUNDLE COPPER WITH BRONZE HEADERS 658
56059159	BOILER TUBE BUNDLE COPPER WITH BRONZE HEADERS 658
56059160	BOILER TUBE BUNDLE COPPER WITH BRONZE HEADERS 768
56058553	BOILER TUBE BUNDLE COPPER WITH BRONZE HEADERS 1242/1292
56065250	BOILER TUBE BUNDLE COPPER/NICKEL SUITS BRONZE HEADERS 277
56070233	BOILER TUBE BUNDLE COPPER/NICKEL WITH BRONZE HEADERS 277
56509047	BRASS BUSH
56509181	BRASS COMPRESSION OLIVE
56509383	BRASS ELBOW M/M 20 MM
56500885	BRASS NIPPLE 20 MM X 80 MM
56509041	BRASS NIPPLE 50 MM X 50 MM
56350873	BRASS PLUG 1 1/2" BSPT VERSA
56509044	BRASS PLUG 10 MM
56500185	BRASS PLUG 25 MM WITH 12 MM SQUARE RECESS
56500434	BRASS UNION
56509012	BRASS UNION
56509013	BRASS UNION
56305846	BURNER BAR NG SERIES 4
56359010	BURNER BAR PIPE PNG
56860200	BURNER BAR PIPE PNG
56305423	BURNER CLAMP BRACKET 1412
56305424	BURNER CLAMP BRACKET 1492/1552
56301588	BURNER SIDE RAILS
56305413	BURNER SPACER BRACKET 1492/1552
56305412	BURNER SPACER XDEL 1412
56305394	BURNER SUPPORT CHANNEL REAR 1362/1412
56305395	BURNER SUPPORT CHANNEL REAR 1492/1552
56069968	BURNER TRAY 109 LPG
56069218	BURNER TRAY 1141/1182
56069217	BURNER TRAY 1142/1182
56069220	BURNER TRAY 1242/1292
56069221	BURNER TRAY 1362/1412

Rheem Spare Parts Manual

Raypak	
Part No.	Description
56069222	BURNER TRAY 1362/1412
56070344	BURNER TRAY 147 LPG HI/LO
56070458	BURNER TRAY 147 LPG HSI
56070282	BURNER TRAY 147 NG HI/LO
56070457	BURNER TRAY 147 NG HSI
56069224	BURNER TRAY 1492/1552
56069225	BURNER TRAY 1662/1722
56069226	BURNER TRAY 1662/1722
56070437	BURNER TRAY 167 LPG HSI
56070436	BURNER TRAY 167 NG HSI
56069227	BURNER TRAY 1852/1922
56069228	BURNER TRAY 1852/1922
56070384	BURNER TRAY 197 LPG HSI
56070381	BURNER TRAY 197 NG HSI
56069230	BURNER TRAY 2214 LPG
56069229	BURNER TRAY 2214 NG
56069232	BURNER TRAY 2634 LPG
56069231	BURNER TRAY 2634 NG
56070385	BURNER TRAY 277 LPG HSI
56070382	BURNER TRAY 277 NG HSI
56069234	BURNER TRAY 3164 LPG
56069233	BURNER TRAY 3164 NG
56070386	BURNER TRAY 347 LPG HSI
56070383	BURNER TRAY 347 NG HSI
56069236	BURNER TRAY 3694 LPG
56069235	BURNER TRAY 3694 NG
56069238	BURNER TRAY 4224 LPG
56069237	BURNER TRAY 4224 NG
56070387	BURNER TRAY 427 LPG HSI
56070459	BURNER TRAY 427 NG HSI
56009204	BURNER TRAY 507
56069292	BURNER TRAY 60 LPG
56001867	BURNER TRAY 658
56069216	BURNER TRAY 972/992
56319613	BURNER TRAY HEAT SHIELD 195/196
56319614	BURNER TRAY HEAT SHIELD 275/276
56319615	BURNER TRAY HEAT SHIELD 345/346
56319616	BURNER TRAY HEAT SHIELD 425/426
56860225	BURNER TRAY HI/LO LPG 147
56069096	BURNER TRAY LPG 109
56069099	BURNER TRAY LPG 127
56069095	BURNER TRAY NG 109
56069098	BURNER TRAY NG 127
56053235	BURNER TRAY SHEETMETAL 147/167
56065156	BURNER TRAY SHEETMETAL 197
56065157	BURNER TRAY SHEETMETAL 277

Rheem Spare Parts Manual

Raypak	
Part No.	Description
56065158	BURNER TRAY SHEETMETAL 347
56065159	BURNER TRAY SHEETMETAL 427
56509267	BUTTERFLY VALVE 40 MM
56509270	BUTTERFLY VALVE 80 MM
56800204	BYPASS GASKET
56800369	BYPASS VALVE DISC PLASTIC
56350995	BYPASS VALVE PLUG VERSA
56350994	BYPASS VALVE SHAFT SERIES 5
56850252	BYPASS VALVE SPRING 196/197
56850292	BYPASS VALVE SPRING 197
56850294	BYPASS VALVE SPRING 277
56850253	BYPASS VALVE SPRING 277/427
56850293	BYPASS VALVE SPRING 347 - 427
56112601	CAPRON HEADER KIT USA 347/427
56550041	CARRIAGE BOLT ZINC PLATED 3/8" X 2 1/2"
56550042	CARRIAGE BOLT ZINC PLATED 3/8" X 2"
56550055	CARRIAGE BOLT ZINC PLATED 3/8" X 3 1/2"
56550045	CARRIAGE BOLT ZINC PLATED 3/8" X 3"
56070440	CONTROL ASSEMBLY COVER 167
56069818	CONTROL ASSEMBLY FRONT COVER 127
56860226	CONTROL JACKET COVER 167
56065170	CONTROL PANEL COVER 197 POOL
56065171	CONTROL PANEL COVER 277
56009137	CONVERSION KIT HWT 868 BOILER
56001009	CONVERSION KIT O/D TO HWT BOILER 1142
56509123	COPPER REDUCER CONCENTRIC
56304618	CORNER TILE SUPPORT
56959194	COWL JAKS 255 MM
56959127	COWL JAKS 405 MM
56959220	COWL JAKS HWT 150 MM
56959221	COWL JAKS HWT 175 MM
56959222	COWL JAKS HWT 205 MM
56959223	COWL JAKS HWT 230 MM
56959224	COWL JAKS HWT 255 MM
56959126	COWL JAKS HWT 355 MM
56959180	COWL JAKS HWT 355 MM
56959092	COWL JAKS HWT 405 MM
56959181	COWL JAKS HWT 455 MM
56959182	COWL JAKS HWT 505 MM
56959129	COWL JAKS HWT 510 MM
56959130	COWL JAKS HWT 560 MM
56959131	COWL JAKS HWT 610 MM
56959231	COWL JAKS HWT 610 MM
56959236	COWL JAKS HWT 660 MM

Rheem Spare Parts Manual

Raypak	
Part No.	Description
56800358	DAM INTERNAL/EXTERNAL PLASTIC
56860205	DATA PLATE STICKER
56860235	DIGITAL CONTROL BOX
56310500	DIGITAL CONTROL BOX 127
56609216	DIGITAL THERMOSTAT HI/LO CAMPINI
56609206	DIGITAL THERMOSTAT HI/LO LAE (plastic probe)
56609215	DIGITAL THERMOSTAT HI/LO LAE (stainless steel probe)
56609187	DIGITAL THERMOSTAT ON/OFF LAE
56959316	DILUTION FAN ADAPTOR KIT 127
56959312	DILUTION FAN ADAPTOR KIT 197
56959313	DILUTION FAN ADAPTOR KIT 277
56959314	DILUTION FAN ADAPTOR KIT 347
56959315	DILUTION FAN ADAPTOR KIT 427 - 507
56959305	DILUTION FAN R6MVAHT
56058407	DOOR ASSEMBLY 972 LEFT
56058414	DOOR ASSEMBLY 972 RIGHT
56509382	DORMONT GAS CONNECTOR 109/127
56319637	DOWN DRAUGHT DEFLECTOR PANEL 109
56319241	DOWN DRAUGHT DEFLECTOR PANEL 59/60
56319117	DOWN DRAUGHT LEG LHS
56319118	DOWN DRAUGHT LEG RHS
56959035	DRAUGHT DIVERTER 355 MM 992
56959036	DRAUGHT DIVERTER 405 MM 1182/1292
56959037	DRAUGHT DIVERTER 455 MM 1412/1552/1722
56959038	DRAUGHT DIVERTER 505 MM 1922
56601104	ECONOMASTER BOARD USA
56609205	ECONOMASTER RUN-ON TIMER
56609160	ELECTRODE WIRE SUITS Q314A
56659047	ELECTRONIC IGNITION BASE SUITS LGB41
56609033	ELECTRONIC IGNITOR C664/55
56609034	ELECTRONIC IGNITOR C664/64
56609035	ELECTRONIC IGNITOR C664/65
56609029	ELECTRONIC IGNITOR C664/71/15
56609030	ELECTRONIC IGNITOR C664/73/15
56609031	ELECTRONIC IGNITOR C664/81
56609032	ELECTRONIC IGNITOR C664/83/15
56009001	EXPANSION TANK KIT
56058422	EXTERNAL HOOD 1852
56058224	EXTERNAL HOOD 275/276
56005209	EXTERNAL HOOD KIT 197
56005210	EXTERNAL HOOD KIT 277
56005211	EXTERNAL HOOD KIT 347
56005212	EXTERNAL HOOD KIT 427
56709024	FIRE TILE FRONT OR REAR 147/167

Rheem Spare Parts Manual

Raypak	
Part No.	Description
56709026	FIRE TILE FRONT OR REAR 195/196
56700462	FIRE TILE FRONT OR REAR 197
56709027	FIRE TILE FRONT OR REAR 275/276
56700463	FIRE TILE FRONT OR REAR 277
56709028	FIRE TILE FRONT OR REAR 345/346
56700464	FIRE TILE FRONT OR REAR 347
56709029	FIRE TILE FRONT OR REAR 425/426
56700465	FIRE TILE FRONT OR REAR 427
56709030	FIRE TILE FRONT OR REAR 507
56700328	FIRE TILE FRONT OR REAR 60/109/110/127
56860206	FIRE TILE FRONT OR REAR 60/110/127
56700466	FIRE TILE KIT SPARTAN
56070325	FIRE TILE KIT 1142/1182
56070326	FIRE TILE KIT 1242/1292
56070327	FIRE TILE KIT 1362/1412
56860216	FIRE TILE KIT 1362/1412
56069113	FIRE TILE KIT 147/167 4 TILES
56070328	FIRE TILE KIT 1492/1552
56070329	FIRE TILE KIT 1662/1722
56009164	FIRE TILE KIT 183/195/196 4 TILES
56070330	FIRE TILE KIT 1852/1922
56005283	FIRE TILE KIT 197
56106601	FIRE TILE KIT 197 4 TILES
56070331	FIRE TILE KIT 2004/2100/2214
56070332	FIRE TILE KIT 2404/2634
56005284	FIRE TILE KIT 277
56106701	FIRE TILE KIT 277 4 TILES
56070333	FIRE TILE KIT 2804/3164
56070334	FIRE TILE KIT 3304/3694
56005285	FIRE TILE KIT 347
56106801	FIRE TILE KIT 347 4 TILES
56070335	FIRE TILE KIT 3804/4224
56109127	FIRE TILE KIT 4 TILES 107/127
56069112	FIRE TILE KIT 4 TILES 109/127
56107001	FIRE TILE KIT 4 TILES 507
56070320	FIRE TILE KIT 4 TILES 514/538
56069111	FIRE TILE KIT 4 TILES 53/59/60
56709031	FIRE TILE KIT 4 TILES 602
56070321	FIRE TILE KIT 4 TILES 624/658
56070322	FIRE TILE KIT 4 TILES 724/768
56070323	FIRE TILE KIT 4 TILES 824/868
56009167	FIRE TILE KIT 403/425/426 4 TILES
56005286	FIRE TILE KIT 427
56106901	FIRE TILE KIT 427 4 TILES

Rheem Spare Parts Manual

Raypak	
Part No.	Description
56070324	FIRE TILE KIT 972/992
56709000	FIRE TILE LEFT OR RIGHT 109/110/127
56709023	FIRE TILE LEFT OR RIGHT 147/167
56709025	FIRE TILE LEFT OR RIGHT 195/196 - 425/426
56700461	FIRE TILE LEFT OR RIGHT 197/427/507
56700329	FIRE TILE LEFT OR RIGHT 53/59/60
56609108	FLAME ROD E48 E49
56609069	FLAME ROD SIT
56609207	FLAME ROD WITH LEAD
56800013	FLANGE GASKET 40 MM GEMINI
56809013	FLANGE GASKET 50 MM VERSA (PAIR)
56053243	FLUE COLLECTOR 147/167
56057287	FLUE COLLECTOR 538
56069057	FLUE COLLECTOR ASSEMBLY 109/127
56070208	FLUE EXTENSION ASSEMBLY 347
56319622	FRONT PANEL JACKET SPA TEMP 110
56659028	FUSE 2 AMP AUTRALUX
56659146	FUSE 3.15 AMP
56659027	FUSE HOLDER
56659145	FUSE HOLDER 20 MM
56609178	GAS REGULATOR 6 MM (USE 56609182)
56359011	GAS TESTPOINT 3 MM
56609093	GAS VALVE 20 MM BM762
56609213	GAS VALVE 25 MM EG30 AND REGULATOR
56609194	GAS VALVE 25 MM NG MBDLE410
56609168	GAS VALVE 25/32 512/11
56609195	GAS VALVE 32 MM NG MBDLE412
56609196	GAS VALVE 40 MM NG MBDLE415
56609197	GAS VALVE 50 MM NG
56860234	GAS VALVE BRAHMA EG30
56609046	GAS VALVE CONVERSION KIT LPG
56609135	GAS VALVE NG KROMSCHROEDER CG35R05-DT2
56609049	GAS VALVE SPRING NG
56609201	GAS VALVE VGD20 - 403
56609202	GAS VALVE VGD20 - 503
56609004	GAS VALVE VGG10.404P 40 MM
56959058	GRUNDFOS PUMP 25-60-CI
56860220	GRUNDFOS PUMP 25-80CI
56860218	GRUNDFOS PUMP 25-80R 180 MM
56959060	GRUNDFOS PUMP TP50-60/FB 240V
56959049	GRUNDFOS PUMP UNIONS 20 MM (PAIR)
56959050	GRUNDFOS PUMP UNIONS 25 MM (PAIR)
56959115	GRUNDFOS PUMP UNIONS 32 MM (PAIR)
56959091UN	GRUNDFOS PUMP UPS 32 80B WITH UNIONS

Rheem Spare Parts Manual

Raypak	
Part No.	Description
56959091	GRUNDFOS PUMP UPS 32-80B (USE 56860243)
56959000	GRUNDFOS PUMP UPS20-60B
56959160	GRUNDFOS PUMP UPS40-120-2F 240V
56860244	GRUNDFOS PUMP UPS40-60/2B SINGLE PHASE (NO UNIONS)
56860036	GRUNDFOS PUMP UPS50-120B SINGLE PHASE
56860037	GRUNDFOS PUMP UPS50-120B THREE PHASE
56959000UN	GRUNDFOS PUMP 20-60B WITH UNIONS
56860207	HEADER GASKET O-RING 100 MM
56800086	HEADER GASKET 1" FLAT BLACK
56350755	HEADER INLET/OUTLET BRONZE SERIES 4
56350653	HEADER INLET/OUTLET GLASS LINED
56308947	HEADER PANEL BAFFLE
56003753	HEAT EXCHANGER 275 VERSA 276 OPTIMUM COPPER/NICKEL
56060761	HEAT EXCHANGER 3804/4224
56307237	HEAT EXCHANGER BAFFLE SET OF 8 197
r56307238	HEAT EXCHANGER BAFFLE SET OF 8 277
56307239	HEAT EXCHANGER BAFFLE SET OF 8 347
56307240	HEAT EXCHANGER BAFFLE SET OF 8 427
56059582	HEAT EXCHANGER CHANGE OVER HEADERS 147
56310304	HEAT EXCHANGER FLUE BAFFLE 109/127
56305284	HEAT EXCHANGER FLUE BAFFLE 1492/1552
56305291	HEAT EXCHANGER FLUE BAFFLE 1492/1552
56310305	HEAT EXCHANGER SIDE BAFFLE 109/127
56304843	HEAT SHIELD 768
56550077	HEX HEAD MACHINE SCREW 1/2" X 10 MM
56550266	HEX HEAD MACHINE SCREW 3/8" X 50 MM
56550404	HEX HEAD MACHINE SCREW 5/16" X 40 MM
56600182	HI LIMIT THERMOSTAT L4008E 1040
56070054	HIGH WIND TOP 109/127 COWL SEPARATE
56004309	HIGH WIND TOP 427
56080000	HIGH WIND TOP KIT 147/167
56600862	HONEYWELL GAS VALVE 20 MM MILLIVOLT TYPE
56600485	HONEYWELL GAS VALVE V800A5006
56609048	HONEYWELL SMART VALVE LPG SPRING CONVERSION KIT also use 56600811
56609051	HONEYWELL SMART VALVE NG SPRING CONVERSION KIT also use 56600812
56009178	HOOD AND ADAPTOR KIT 197
56009179	HOOD AND ADAPTOR KIT 277
56009180	HOOD AND ADAPTOR KIT 347
56009181	HOOD AND ADAPTOR KIT 427
56009201	HOOD AND ADAPTOR KIT 507
56959134	HWT 127 MM 109
56959124	HWT 255 MM 427/507
56959125	HWT 305 MM 658/768
56959281	HWT HOOD 455 MM WITH GUY WIRES 1362/1492

Rheem Spare Parts Manual

Raypak	
Part No.	Description
56601004	IGNITION CONTROLLER HSI RAM H4M7-01 24V
56609068	IGNITION ELECTRODE CATOBA
56069173	IGNITION LEAD 11 PIN
56609136	IGNITION MODULE LGB21
56609119	IGNITION POWER MONITOR VM001
56609177	IGNITION RELAY BRAHMA RE3
56659088	IGNITION TRANSFORMER
56659090	IGNITION TRANSFORMER 240V - 8KV
56350353	INJECTOR
56005105	INTERNAL HOOD 10" DIAMETER 427/597
56005102	INTERNAL HOOD 7" DIAMETER 197
56005103	INTERNAL HOOD 8" DIAMETER 277
56005104	INTERNAL HOOD 9" DIAMETER 347
56009004	INTERNAL HOOD KIT 109/127
56009006	INTERNAL HOOD KIT 110/127
56001686	INTERNAL HOOD KIT 147/153/160/167
56001682	INTERNAL HOOD KIT 147/167 150 MM
56058217	INTERNAL HOOD KIT 183/195/196
56058218	INTERNAL HOOD KIT 263/275/276
56058219	INTERNAL HOOD KIT 333/345/346
56058220	INTERNAL HOOD KIT 403/425/426
56001465	INTERNAL HOOD KIT 53/59/60
56059323	INTERNAL HOOD KIT 658
56059325	INTERNAL HOOD KIT 868
56734102	J BOX ASSEMBLY MODULATING RWF40 1142 - 4224 RHS
56733602	J BOX ASSEMBLY MODULATING RWF40 SERIES 2/4/8
56070338	J BOX COMPLETE 1142 - 4224 MODULATING
56070341	J BOX COMPLETE 1142 - 4224 MODULATING
56070317	J BOX COMPLETE 1142 - 4224 ON/OFF
56860213	J BOX COMPLETE 538 - 992
56070337	J BOX COMPLETE 538 - 992 MODULATING
56919602	J BOX RUN LIGHT B TYPE
56070410	JACKET TOP 507
56559001	KNURLED SCREW ZINC PLATED 3/16"
56659095	LAMP 130V 2 WATT
56302800	LHS PANEL JACKET SERIES 2
56308803	LHS PANEL SERIES 5 F
56319638	LONG WIND DEFLECTOR 147
56860227	LOWER REFRACTORY SUPPORT ASSEMBLY LHS SERIES 4
56860228	LOWER REFRACTORY SUPPORT ASSEMBLY RHS SERIES 4
56359009	MAIN BURNER INJECTOR 1/16" NPT BLANK
56860209	MAIN BURNER INJECTOR 1/16" NPT BLANK
56350163	MAIN BURNER INJECTOR EXTENSION 1/16" NPT
56659143	MAIN LEAD WITH PLUG

Rheem Spare Parts Manual

Raypak	
Part No.	Description
56058610	MANIFOLD ASSEMBLY 425/426
56070393	MANIFOLD ASSEMBLY 507 SERIES 5 F
56609152	MICROZONE CONTROLLER MZ2-1CE
56319965	MODULATING MOTOR. ANGLED, SUITS BELIMO
56600005	MODUSNAP GAS VALVE 15 MM
56650024	MOMENTARY CONTACT SWITCH
56659096	MOMENTARY CONTACT SWITCH 240V
56659094	MOMENTARY CONTACT SWITCH 24V
56550024	NUT ZINC PLATED 3/8" BSW
56800365	O-RING
56800012	O-RING 100 MM HEADER
56800007	O-RING 100 MM HEADER UNATHERM GASKET
56800366	O-RING 53 MM X 4 MM
56800406	O-RING FOR CAPRON FLANGE
56759017	PAINT LIGHT GREY
56759018	PAINT NEW DARK GREEN
56759016	PAINT NEW DARK GREY
56609102	PARKER VALVE SOLENOID 240V
56809023	PCB MOUNTING PUSH ON STICK KGLS 8 MM
56009199	PIEZO IGNITER KIT COSIC
56069154	PIEZO IGNITION ROD AND LEAD
56600565	PIEZO IGNITOR
56609113	PIEZO IGNITOR BM762
56319020	PIEZO MOUNTING PLATE
56609071	PILOT BURNER CATOBA
56609159	PILOT BURNER HONEYWELL Q314A9031
56600728	PILOT E.I. Q179
56600805	PILOT E.I. Q348A
56600422	PILOT INJECTOR LPG SUIT L 10
56600002	PILOT INJECTOR NG SUITS HONEYWELL N 18
56609036	PILOT INJECTOR NG W/ROGERS
56600811	PILOT INJECTOR SUIT BCR20
56600148	PILOT INJECTOR SUITS E 48 E 49
56304665	PILOT MOUNTING BRACKET E 49 SERIES 2
56304853	PILOT MOUNTING BRACKET E 49 SERIES 8
56069781	PILOT MOUNTING BRACKET Q324 SERIES 7
56319894	PILOT MOUNTING BRACKET Q373A RP2100
56070449	PILOT MOUNTING BRACKET SERIES 5 F
56609176	PILOT REGULATOR F & F
56609182	PILOT REGULATOR MAXITROL
56659024	PILOT SAFETY IGNITION RELAY
56500743	PILOT TUBE OLIVE
56800363	PLASTIC BYPASS VALVE
56800375	PLASTIC BYPASS VALVE DISC

Rheem Spare Parts Manual

Raypak	
Part No.	Description
56800361	PLASTIC DRAIN PLUG 1/4" BLACK
56800404	PLASTIC DRAIN PLUG GREY
56550704	PLASTIC HEAD FLANGE NUT
56501808	PLASTIC PLUG 3/4"
56080080	POOL 50 MM FLANGE GASKET RP2100 PAIR
56105901	POOL ACCESS PANEL GROUP RP2100
56308809	POOL ACCESS PANEL UNIVERSAL RP2100
56065140	POOL BASE AND REFRACTORY SUPPORT 197 RP2100
56065141	POOL BASE AND REFRACTORY SUPPORT 277 RP2100
56065142	POOL BASE AND REFRACTORY SUPPORT 347 RP2100
56065143	POOL BASE AND REFRACTORY SUPPORT 427 RP2100
56320496	POOL BURNER ASSEMBLY SPARTAN 15 BLADE LPG
56320497	POOL BURNER ASSEMBLY SPARTAN 15 BLADE NG
56320182	POOL ELECTRICAL SUPPORT PANEL 167 RP2100
56101701	POOL FLUE COLLECTOR ASSEMBLY 347
56076859	POOL FRONT DOOR AND DISPLAY PANEL - SPARTAN
56860201	POOL HEADER CAPRON 197
56109701	POOL HEADER CAPRON 277
56860202	POOL HEADER CAPRON 277
56860203	POOL HEADER CAPRON 347
56860204	POOL HEADER CAPRON 427
56350636	POOL HEADER INLET/OUTLET BRONZE 110/160
56058593	POOL HEADER INLET/OUTLET BRONZE 538/1292
56800356	POOL HEADER INLET/OUTLET CAPRON SERIES 5F
56320495	POOL HEADER INLET/OUTLET CAPRON SPARTAN
56065218	POOL JACKET TOP 197 RP2100
56065219	POOL JACKET TOP 277 RP2100
56065220	POOL JACKET TOP 347 RP2100
56065221	POOL JACKET TOP 427 RP2100
56071005	POOL LHS TOP PANEL RETAINER RP2100
56308399	POOL LOWER ACCESS PANEL 197 - 427
56069177	POOL PILOT ASSEMBLY 59
56959407	POOL PIPE CONNECTION KIT 50 MM (SINGLE)
56307236	POOL REFRACTORY CORNER SET OF 4 RP2100
56069013	POOL REFRACTORY SIDE RETAINER RP2100 (SET OF TWO)
56071004	POOL RHS TOP PANEL RETAINER RP2100
56800407	POOL TAILPIECE CONNECTOR PVC 2" NUT AND O-RING
56600960	POOL THERMOSTAT 24V KIT
56909063	POOL THERMOSTAT DECAL RP2100
56600961	POOL THERMOSTAT POTENTIOMETER
56600962	POOL THERMOSTAT SENSOR 198799B
56860210	POOL TUBE BUNDLE COPPER SUIT BRONZE HEADERS 167
56065245	POOL TUBE BUNDLE COPPER SUIT BRONZE HEADERS 347
56066858	POOL TUBE BUNDLE COPPER SUIT CAPRON HEADERS 197

Rheem Spare Parts Manual

Raypak	
Part No.	Description
56069054	POOL TUBE BUNDLE COPPER WITH BRONZE HEADERS 127
56058251	POOL TUBE BUNDLE COPPER WITH BRONZE HEADERS 160/167
56069384	POOL TUBE BUNDLE COPPER WITH BRONZE HEADERS 60
56066824	POOL TUBE BUNDLE COPPER WITH CAPRON HEADERS 427
56058568	POOL TUBE BUNDLE COPPER/NICKEL 1362/1412
56082250	POOL TUBE BUNDLE COPPER/NICKEL 167 WITH BRONZE HEADERS
56100202	POOL TUBE BUNDLE COPPER/NICKEL 2004/2214
56100302	POOL TUBE BUNDLE COPPER/NICKEL 2404/2634
56100502	POOL TUBE BUNDLE COPPER/NICKEL 3304/3694
56109401	POOL TUBE BUNDLE COPPER/NICKEL 658
56053232	POOL TUBE BUNDLE COPPER/NICKEL SUIT BRONZE HEADERS 167
56005264	POOL TUBE BUNDLE COPPER/NICKEL SUITS BRONZE HEADERS 425
56069053	POOL TUBE BUNDLE COPPER/NICKEL WITH BRONZE HEADERS 127
56053232	POOL TUBE BUNDLE COPPER/NICKEL WITH BRONZE HEADERS 167
56058250	POOL TUBE BUNDLE COPPER/NICKEL WITH BRONZE HEADERS 167
56110602	POOL TUBE BUNDLE COPPER/NICKEL WITH BRONZE HEADERS 196 VERSA
56065248	POOL TUBE BUNDLE COPPER/NICKEL WITH BRONZE HEADERS 197
56003754	POOL TUBE BUNDLE COPPER/NICKEL WITH BRONZE HEADERS 263/275 GENINI
56005261	POOL TUBE BUNDLE COPPER/NICKEL WITH BRONZE HEADERS 275
56065254	POOL TUBE BUNDLE COPPER/NICKEL WITH BRONZE HEADERS 277
56059192	POOL TUBE BUNDLE COPPER/NICKEL WITH BRONZE HEADERS 538
56308400	POOL UPPER ACCESS PANEL 197 - 427
56609075	PRESSURE AND TEMPERATURE GAUGE
56609089	PRESSURE GAUGE 4 BAR
56609103	PRESSURE RELIEF VALVE 12 MM DELTA R140
56609104	PRESSURE RELIEF VALVE 20 MM DELTA R140
56501222	PRESSURE RELIEF VALVE 45 PSI 0.6 MBTU
56500399	PRESSURE RELIEF VALVE 60 PSI 1.5 MBTU
56500270	PRESSURE RELIEF VALVE 60 PSI 3.6 MBTU
56609188	PRESSURE SWITCH FANTINI
56320200	PSE FLAME ROD MOUNTING BRACKET
56095269	PUMP UNION
56809018	PVC UNION TUBE 40 MM
56609130	R/SHAW GAS VALVE 25 MM 7000 ERHCL
56609190F	R/SHAW GAS VALVE 7000 BSTR
56600997	R/SHAW GAS VALVE NG - LPG CONVERSION KIT
56900759	RAYPAK LOGO DECAL
56860229	REAR REFRACTORY SUPPORT ASSEMBLY
56060534	REFRACTORY FRONT OR REAR SUPPORT 2404/2634
56060537	REFRACTORY FRONT SUPPORT
56070081	REFRACTORY RETAINER KIT 1242/1292
56070026	REFRACTORY RETAINER KIT 147/167
56070048	REFRACTORY RETAINER KIT 183/195/196
56107101	REFRACTORY RETAINER KIT 197

Rheem Spare Parts Manual

Raypak	
Part No.	Description
56860222	REFRACTORY RETAINER KIT 197
56070056	REFRACTORY RETAINER KIT 2404/2634
56107202	REFRACTORY RETAINER KIT 277
56070058	REFRACTORY RETAINER KIT 3304/3694
56001306	REFRACTORY RETAINER KIT 345
56107301	REFRACTORY RETAINER KIT 347
56070059	REFRACTORY RETAINER KIT 3804/4224
56001307	REFRACTORY RETAINER KIT 403/425/426
56107401	REFRACTORY RETAINER KIT 427
56107501	REFRACTORY RETAINER KIT 507
56070064	REFRACTORY RETAINER KIT 538/658/768/868
56070065	REFRACTORY RETAINER KIT 658
56070067	REFRACTORY RETAINER KIT 868
56050697	REFRACTORY SIDE RETAINER SERIES 4
56069052	REFRACTORY SUPPORT ASSEMBLY 109/127
56002006	REFRACTORY TOP RETAINER 147
56300000	REFRACTORY WEDGE BRACKET/CLIP
56659011	RELAY BASE 8 PIN
56659015	RELAY COIL 240V
56659014	RELAY COIL 24V
56659136	REMOTE CONTROL CABLE SUIT RP2100
56005386	REMOTE THERMOSTAT
56659108	RESISTOR 470 OHMS 0.5 WATT
56302801	RHS PANEL JACKET SERIES 2
56308802	RHS PANEL SERIES 5 F
56659035	ROCKER SWITCH 250V 16 AMP
56609184	RP2100 THERMOSTAT PCB ONLY
56959022	SALMSON PUMP BRONZE SB 100 XL
56550712	SCREW AND WASHER 1/4" SUIT CAPRON HEADER
890555	SENSOR AKO FOR RAYPAK
56070448	SENSOR ASSEMBLY SERIES 4 SIDE MOUNT
56859029	SENSOR MOUNTING BRACKET
56350337	SENSOR POCKET 12 MM DIAMETER 115 MM LONG
56350336	SENSOR POCKET 12 MM DIAMETER 85 MM LONG
56350339	SENSOR POCKET 16 MM DIAMETER 115 MM LONG
56650688	SENSOR POCKET BRASS 7 MM X 80 MM
56305794	SIDE PANEL BURNER TRAY SERIES 4
56609179	SIEMENS ACTUATOR GDB163.1GM
56659007	SILICONE WIRE WHITE 10 AMP 150 DEGREE Celsius
56070270	SOLENOID COIL ONLY FOR SK10 GAS VALVE
56609181	SOLENOID VALVE
56609126	SOLENOID VALVE 240V 6 MM BRAHMA
56609081	SOLENOID VALVE 24V PARKER
56659023	SPADE TERMINALS 2.8 MM

Rheem Spare Parts Manual

Raypak	
Part No.	Description
56320499	SPARTAN HEAT EXCHANGER PO131
56070115	STACK ADAPTOR ASSEMBLY HWT 658
56062634	STACK ADAPTOR ASSEMBLY HWT SERIES 7
56070411	STACK ADAPTOR ASSEMBLY INTERNAL 507
56065236	STACK ADAPTOR INTERNAL 197
56065237	STACK ADAPTOR INTERNAL 277
56065238	STACK ADAPTOR INTERNAL 347
56065239	STACK ADAPTOR INTERNAL 427
56959041	STAINLESS STEEL PIPE 195/426
56959039	STAINLESS STEEL PIPE 60/127/167
56959041	STAINLESS STEEL PIPE 60/127/167
56550065	STUD BOLT ZINC PLATED 3/8" BSW X 100 MM
56550063	STUD BOLT ZINC PLATED 3/8" BSW X 55 MM
56550064	STUD BOLT ZINC PLATED 3/8" BSW X 80 MM
56659082	SUPPRESSION FILTER AND LOOM FN2060-6-06
56559020	TEK SCREW #10 X 24 MM
56601157	TEMPERATURE GAUGE 0 - 120 DEGREE Celsius
56609062	TEMPERATURE GAUGE 0 - 120 DEGREE Celsius
56609228	TEMPERATURE GAUGE 45 - 150 DEGREE Celsius
56609100	THERMOCOUPLE
56609011	THERMOCOUPLE 30 MV 1200 MM
56609013	THERMOCOUPLE 30 MV 450 MM
56609200	THERMOCOUPLE 30 MV 600 MM UNIVERSAL
56609012	THERMOCOUPLE 30 MV 750 MM
56609173	THERMOCOUPLE 30 MV 900 MM TECHRITE
56609161	THERMOCOUPLE 30 MV Q309A2135
56609223	THERMOMATIC ELECTRONIC IGNITION CM32
563030315	THERMOMATIC EXPANSION TANK
56600989	THERMOMATIC GAS VALVE E.I.
56600990	THERMOMATIC GAS VALVE S.P.
563511320	THERMOMATIC HEAT EXCHANGER
563330392	THERMOMATIC PRESSURE RELIEF VALVE
563330342	THERMOMATIC PRESSURE RELIEF VALVE 3 BAR
563130201	THERMOMATIC TEMPERATURE AND PRESSURE GAUGE
563020114	THERMOMATIC THERMOSTAT
56600524	THERMOSTAT 71 - 127 DEGREE Celsius
56609221	THERMOSTAT HI/LO BEZEL
56609220	THERMOSTAT HI/LO KNOB
56609072	THERMOSTAT ON/OFF 0 - 100 DEGREE Celsius
56609010	THERMOSTAT ON/OFF 25 - 95 DEGREE Celsius
56609230	LAE THERMOSTAT 70MM STAINLESS STEEL SENSOR ONLY
56609138	THERMOSTAT SPA TEMP 160
56650595	TOGGLE SWITCH SPST
56609053	TPR VALVE 20 MM 700 KPA 17.6 KW

Rheem Spare Parts Manual

Part No.	Description
56659054	TRANSFORMER 12V - 24V - 240V 30 AMP
56659139	TRANSFORMER 240V - 24V 1.25 AMP
56659085	TRANSFORMER 240V - 24V 30 AMP
56659084	TRANSFORMER 240V 1 AMP
56650931	TRANSFORMER 24V - 240V 2 AMP
56059553	TUBE BUNDLE COPPER WITH BRONZE HEADERS 55 - 59
56109501	TUBE BUNDLE COPPER/NICKEL 538
56109301	TUBE BUNDLE COPPER/NICKEL 768
56058565	TUBE BUNDLE COPPER/NICKEL 972/992
56600019	THERMOPILE 750 MV
56069775	UNATHERM GOVERNOR 127/167
56300735	UNATHERM GOVERNOR 2 CAP
56600051	UNATHERM GOVERNOR 2" 40
56002090F	UNATHERM GOVERNOR 2001/2406/2100
56056153	UNATHERM GOVERNOR ASSEMBLY INCLUDING CAP
56306079	UNATHERM GOVERNOR BAFFLE 59
56050037F	UNATHERM GOVERNOR C TYPE SERIES 3
56800359	UNATHERM GOVERNOR CAPRON PLUG
56050038F	UNATHERM GOVERNOR D TYPE SERIES 2/8
56350586	UNATHERM GOVERNOR DISC SERIES 4
56051492B	UNATHERM GOVERNOR E TYPE SERIES 5
56600117	UNATHERM GOVERNOR H TYPE
56860212	UNATHERM GOVERNOR H TYPE
56800375	UNATHERM GOVERNOR PLASTIC HEADER GASKET
56800359	UNATHERM GOVERNOR PLATIC PLUG SUIT CAPRON HEADER
56400734	UNATHERM GOVERNOR SHORT CAP 59
56400012	UNATHERM GOVERNOR SLEEVE SERIES 5
56850247	UNATHERM GOVERNOR SPRING 59
56850254	UNATHERM GOVERNOR SPRING VERSA
56350007	UNATHERM GOVERNOR STEM
56600003	UNIVERSAL THERMOCOUPLE 900 MM
56319181	UPPER REFRACTORY Z ANGLE BRACKET 1362/1412
56609238	VALVE ACTUATOR SUITS RWF40
56609045	VALVE REGULATOR
56600872	W/ROGERS LPG SPRING SUIT 92-0659
56550008	WASHER ZINC PLATED 3/8" X 7/8" 16 GAUGE
56550019	WASHER ZINC PLATED 5/16" X 3/4" 18 GAUGE
56609148	WATER SENSOR 4" MICROZONE
56066899	WELL ASSEMBLY 3/8"X 2.19 MM
56009089	WIND DEFLECTOR 109/110/127
56009106	WIND DEFLECTOR 1142
56009090	WIND DEFLECTOR 147/160
56009111	WIND DEFLECTOR 1852
56009091	WIND DEFLECTOR 195/196
56009092	WIND DEFLECTOR 275/276

Rheem Spare Parts Manual

Raypak	
Part No.	Description
56009093	WIND DEFLECTOR 345/346
56009094	WIND DEFLECTOR 425/426
56009103	WIND DEFLECTOR 768
56009104	WIND DEFLECTOR 868
56009095	WIND DEFLECTOR LONG 109/110
56559049	WIRE RETAINING CLIP 3/8" X 5/16"
56009144	WIRING LOOM KIT E.I.
56009162	WIRING LOOM POOL RP2100
56320487	WIRING LOOM POOL SPARTAN ON/OFF HSI

END

Document revision history	Rheem Spares manual	
Revision	Details of change	Date of implementation
A	Electronic and folder format spares manual released	Nov 09
B	New products:- stainless steel MP cylinders, Lazer 701,702 & 703 range, 6* 27 Litre & 24 L condensing continuous flow spares. Revised products:- 740003/5 parts list, 275 Heatpump parts list, 310,325 heat pump, 591 Premiere solar.	Aug 12
C	Added LPVE	Aug 13