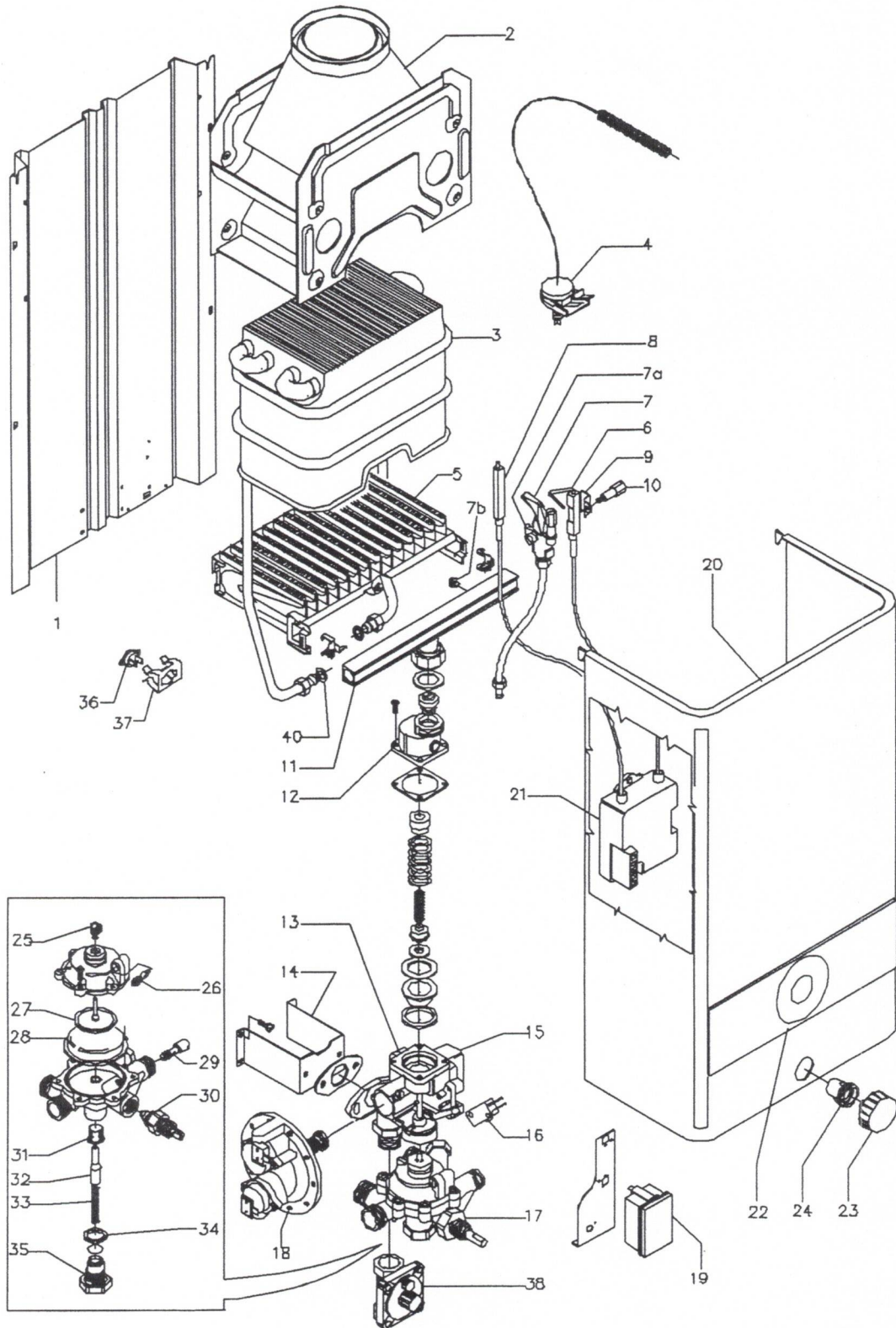
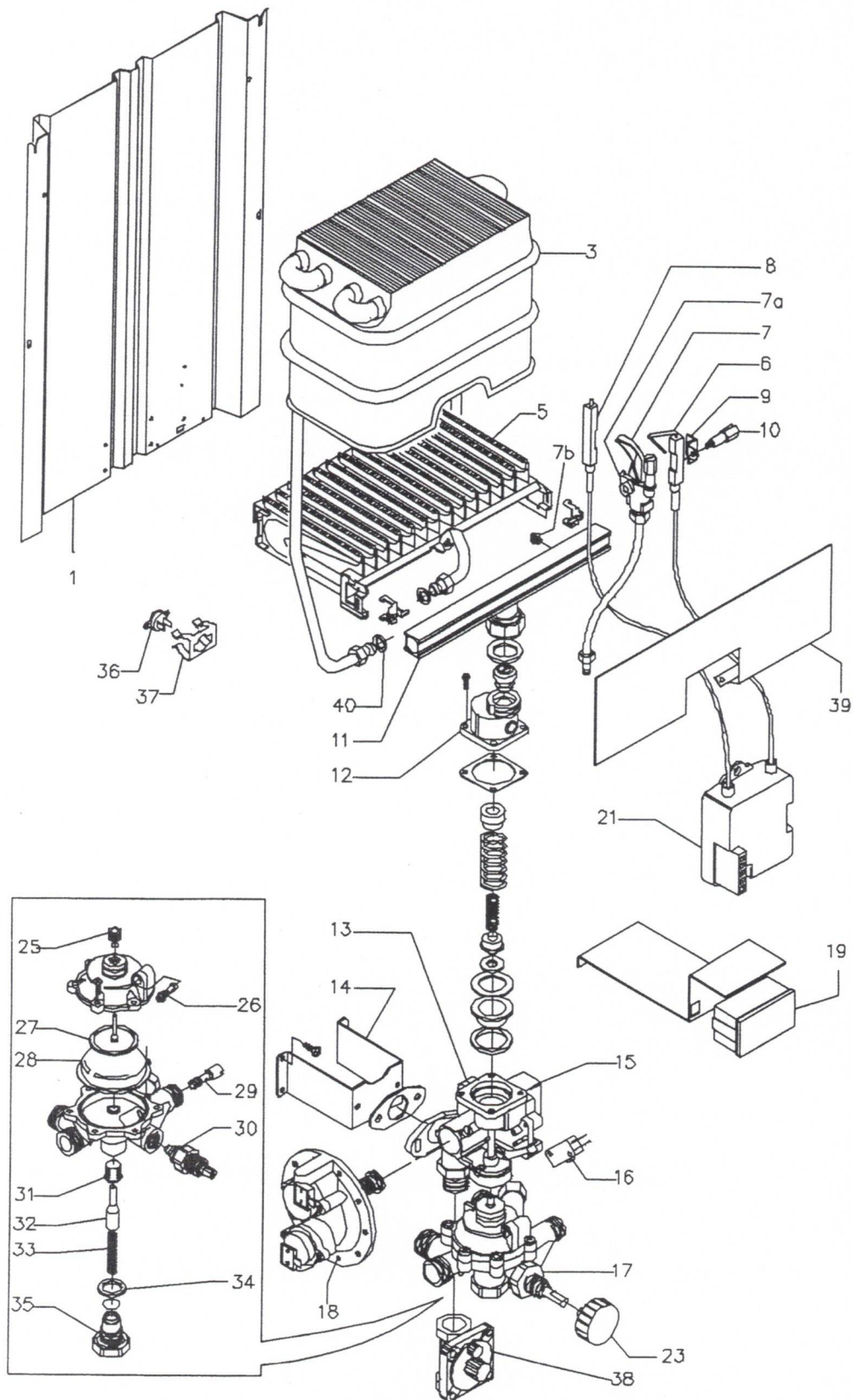


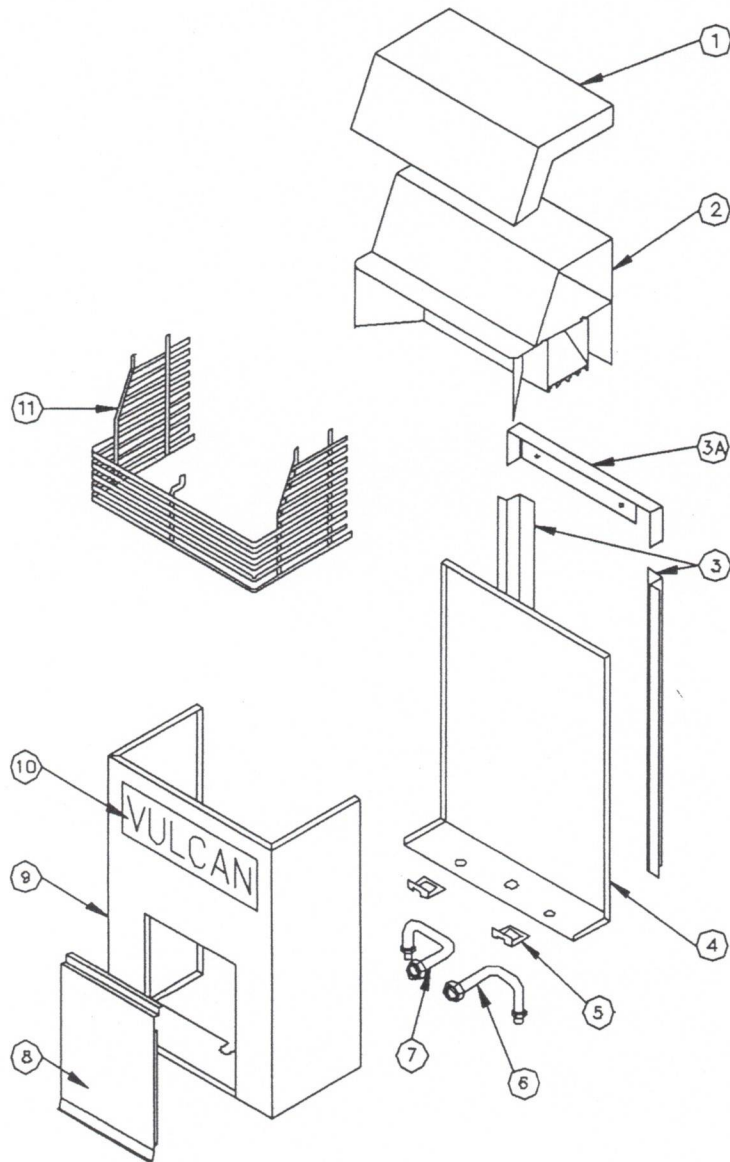
**VULCAN 10 & 14 LITRE INTERNAL BATTERY IGNITION
EXPLODED VIEW**



**VULCAN 10, 14 & 16 LITRE EXTERNAL BATTERY IGNITION
COMPONENT EXPLODED VIEW**



**VULCAN 10, 14 & 16 LITRE EXTERNAL BATTERY IGNITION
JACKET EXPLODED VIEW**



Battery Ignition Instantaneous External – Jacket Spare Parts

Item No	Description	10 litre	14 litre	16 litre
1	Flue terminal - Top	513541	513511	513511
2	Flue terminal	511540	511533	511519
3	Mounting strip "Z" Section	513544	513515	513515
3A	Mounting strip extension	513545	513514	513514
4	Back plate	513546	513517	513517
5	Bracket - Hex captivator	231065	231065	231065
6	Water connection - LH	274039	274039	274039
7	Water connection - RH	274040	274040	274040
8	Access panel	234051	234051	234051
9	Jacket	513540	513510	513510
10	Decal	517500	517500	517500
11	Grille wire	513542	513512	513512

VULCAN 10, 14 & 16 LITRE INTERNAL & EXTERNAL BATTERY IGNITION

Reference No	Description	10 Litre	14 Litre	16 Litre
1	Back Panel (Internal)	WH0010079	WH0010125	N/A
1	Back Panel (External)	WH0010123	WH0010124	WH0010124
2	Draft Diverter (Internal)	WH0010004	WH0010127	N/A
3	Heat Exchanger	WH0010005	WH0010007	WH0010080
4	Blocked Flue Switch (Internal)	WH0010081	WH0010081	N/A
5	Burner Assembly	WH0010006	WH0010008	WH0010082
6	Flame Sensor	WH0010083	WH0010083	WH0010083
7	Pilot Assembly - NG	WH0010088	WH0010088	WH0010088
7	Pilot Assembly - LP	WH0010089	WH0010089	WH0010089
7A	Pilot Injector - NG	WH0010084	WH0010084	WH0010084
7A	Pilot Injector - LP	WH0010041	WH0010041	WH0010041
7B	Main Injector - NG	WH0010009	WH0010126	WH0010086
7B	Main Injector - LP	WH0010011	WH0010011	WH0010087
8	Spark Plug	WH0010090	WH0010090	WH0010090
9	Retainer	WH0010091	WH0010091	WH0010091
10	Retainer Screw	WH0010098	WH0010098	WH0010098
11	Manifold - NG	WH0010092	WH0010093	WH0010094
11	Manifold - LP	WH0010095	WH0010096	WH0010097
12	Burner Connector	WH0010100	WH0010100	WH0010100
13	Gas Valve	WH0010101	WH0010101	WH0010101
14	Gas Valve Support	WH0010102	WH0010128	WH0010128
15	Cover Bypass - LP	WH0010103	WH0010103	WH0010103
15	Cover Bypass - NG	WH0010129	WH0010129	WH0010129
16	Micro Switch	WH0010104	WH0010104	WH0010104
17	Water Valve	WH0010105	WH0010106	WH0010107
18	Change Over Valve	WH0010108	WH0010108	WH0010108
19	Battery Holder	WH0010109	WH0010109	WH0010109
20	Jacket (Internal)	WH0010110	WH0010111	N/A
21	Ignition Pack	WH0010112	WH0010112	WH0010112
22	Mask (Internal)	WH0010113	WH0010113	N/A
23	Knob- Temp Selector	WH0010047	WH0010047	WH0010047
24	Lock Nut (Internal)	WH0010115	WH0010115	N/A
25	"O" Ring	WH0010051	WH0010051	WH0010051
26	Slow Ignition Valve	WH0010053	WH0010053	WH0010053
27	Pressure Disc	WH0010054	WH0010054	WH0010054
28	Diaphragm	WH0010116	WH0010116	WH0010116
29	Venturi	WH0010056	WH0010050	WH0010117
30	Temperature Selector	WH0010057	WH0010057	WH0010057
31	Filter	WH0010058	WH0010058	WH0010058
32	Piston	WH0010059	WH0010059	WH0010059
33	Piston Spring	WH0010060	WH0010060	WH0010060
34	Plug Gasket	WH0010061	WH0010061	WH0010061
35	Plug	WH0010062	WH0010062	WH0010062
36	Over Temp Cut out	WH0010121	WH0010121	WH0010121
37	Bracket - Cut out	WH0010122	WH0010122	WH0010122
38	Regulator - NG	519500	519500	519500
39	Heat Shield (External)	513537	513537	Not used
40	Gasket	WH0010070	WH0010070	WH0010070
*	Gasket Kit	WH0010068	WH0010068	WH0010068
*	"O" Ring Kit	WH0010069	WH0010069	WH0010069

* Part not illustrated