

# REU-VR2024WG / REU-VR2024WG-50

REU-VR2024WG-AK

REU-VR2024WG-50-AK

NO	DESCRIPTION	RA PART	RJ 11 DIGIT CODE		
001	Panel Front - WHITE	<b>92099238</b>	019-4082000	1	
001	Panel Front - WHITE 50C	<b>92099240</b>	019-4083000		1
002	Panel Front Packing		580-0039000	3	3
005	Outer Case - WHITE	<b>92092049</b>	014-445-000	1	1
010	Wall Hang Bracket	<b>92093377</b>	106-329-000	2	2
011	Blind Packing		510-893-000	1	1
012	Rubber Bushing C		194-140-000	1	1
013	Harness Easy Connect	<b>92099955</b>	106-651-000	1	1
014	Cable Seal Packing	<b>92099984</b>	580-0105000	1	1
015	Piping Reinforce		044-156-000	1	1
100	Inlet (3/4") Gas	<b>92081587</b>	106-290-000	1	1
101	Screw Test Point	<b>92099956</b>	501-275-005	1	1
102	Gas Control	<b>92099198</b>	120-0028000	1	1
103	Manifold LPG	<b>92099260</b>	101-751-000	1	1
103	Manifold NG	<b>92099262</b>	101-752-000	1	1
104	Manifold Packing Upper	<b>92099286</b>	580-0108000	1	1
105	Manifold Packing Lower	<b>92099290</b>	580-0574000	1	1
106	Burner Case Front		098-0625000	1	1
107	Packing		580-590-000	1	1
108	Dumper		140-723-000	1	1
109	Lean & Rich Bunsen Burner		157-083-000	18	18
110	Burner Case Rear		098-403-000	1	1
111	Comb.Chmb Front Panel - 20		019-4084000	1	1
112	Comb. Chmb Front Panel Packing - 20		580-0575000	1	1

# REU-VR2024WG / REU-VR2024WG-50

REU-VR2024WG-AK

REU-VR2024WG-50-AK

NO	DESCRIPTION	RA PART	RJ 11 DIGIT CODE		
113	Electrode	<b>92086974</b>	202-156-000	1	1
114	Electrode FR	<b>92095598</b>	202-215-000	1	1
115	Packing Electrode	<b>92099214</b>	580-0569000	1	1
116	Electrode Holder	<b>92099216</b>	538-0572000	1	1
117	Sleeve Electrode	<b>92087030</b>	518-035-000	1	1
119	Buner Assembly	<b>92099268</b>	157-138-000	1	1
120	Heat Exchanger Assy	<b>92099278</b>	314-757-000	1	1
121	Water Connecting Tube Retainer	<b>92093315</b>	538-615-000	1	1
122	Bracket H/Exchanger Outlet	<b>92099548</b>	537-502-000	1	1
130	Exhaust Flue	<b>92099967</b>	055-788-000	1	1
131	Exhaust Opening Packing		580-592-000	1	1
132	Front Panel Seal Packing		580-600-000	1	1
150	Comb Fan Motor		222-595-000	1	1
151	Fan Casing Assembly		035-870-000	1	1
152	Comb Fan Assy	<b>92099222</b>	222-642-000	1	1
400	Inlet (3/4") Water	<b>92095901</b>	333-483-000	1	1
401	Plug Band		553-119-000	1	1
402	Filter Water O Large	<b>92083773</b>	196-062-000	1	1
404	Rectifier	<b>92093552</b>	330-107-000	1	1
405	Water Flow Servo	<b>92099957</b>	301-152-000	1	1
406	Water Flow Servo Cover		098-1445000	1	1
408	Connection (3/4") H/W	<b>92099970</b>	333-304-000	1	1
409	Hot Water Plug Band		553-043-000	1	1
410	Valve Press Relief	<b>92099944</b>	337-152-000	1	1

# REU-VR2024WG / REU-VR2024WG-50

REU-VR2024WG-AK

REU-VR2024WG-50-AK

NO	DESCRIPTION	RA PART	RJ 11 DIGIT CODE		
700	PCB Main	<b>92099224</b>	210-950-000	1	
700	PCB Main 50c	<b>92099226</b>	210-951-000		1
701	EC-Cover-2-A		098-1853000	1	1
702	Electric Control Cover		098-0627000	1	1
703	Sparker	<b>92095026</b>	261-157-000	1	1
704	Lead HT (L=360)	<b>92099228</b>	203-877-000	1	1
705	Ignitor Bracket		537-0619000	1	1
706	Surge Arrestor	<b>92093699</b>	210-605-000	1	1
707	Sub Circuit Board Cover		098-1855000	1	1
708	Bracket		537-0618000	1	1
709	Elec Cord	<b>92089051</b>	206-226-000	1	1
710	Harness Fuse	<b>92099959</b>	290-1284000	1	1
711	Heater Anti frost	<b>92098318</b>	213-001-000	1	1
712	Switch Thermal	<b>92097187</b>	234-444-000	1	1
713	Heater Fixing Plate	<b>92096225</b>	537-0440000	4	4
715	Hanrness Power	<b>92095027</b>	290-1285000	1	1
716	Harness Solenoid	<b>92099230</b>	290-1746000	1	1
717	Harness Sensor	<b>92099232</b>	290-1747000	1	1
718	Fuse Thermal	<b>92099621</b>	290-0492000	1	1
719	Thermal Fuse Fixing Plate		537-505-000	2	2
720	Thermal Fuse Fixing Plate		537-0110000	2	2
721	Sensor MR	<b>92099988</b>	243-133-000	1	1
722	Twin Thermistor	<b>92099234</b>	233-278-000	1	1
725	Harness Remoter Control	<b>92099961</b>	290-1288000	1	1

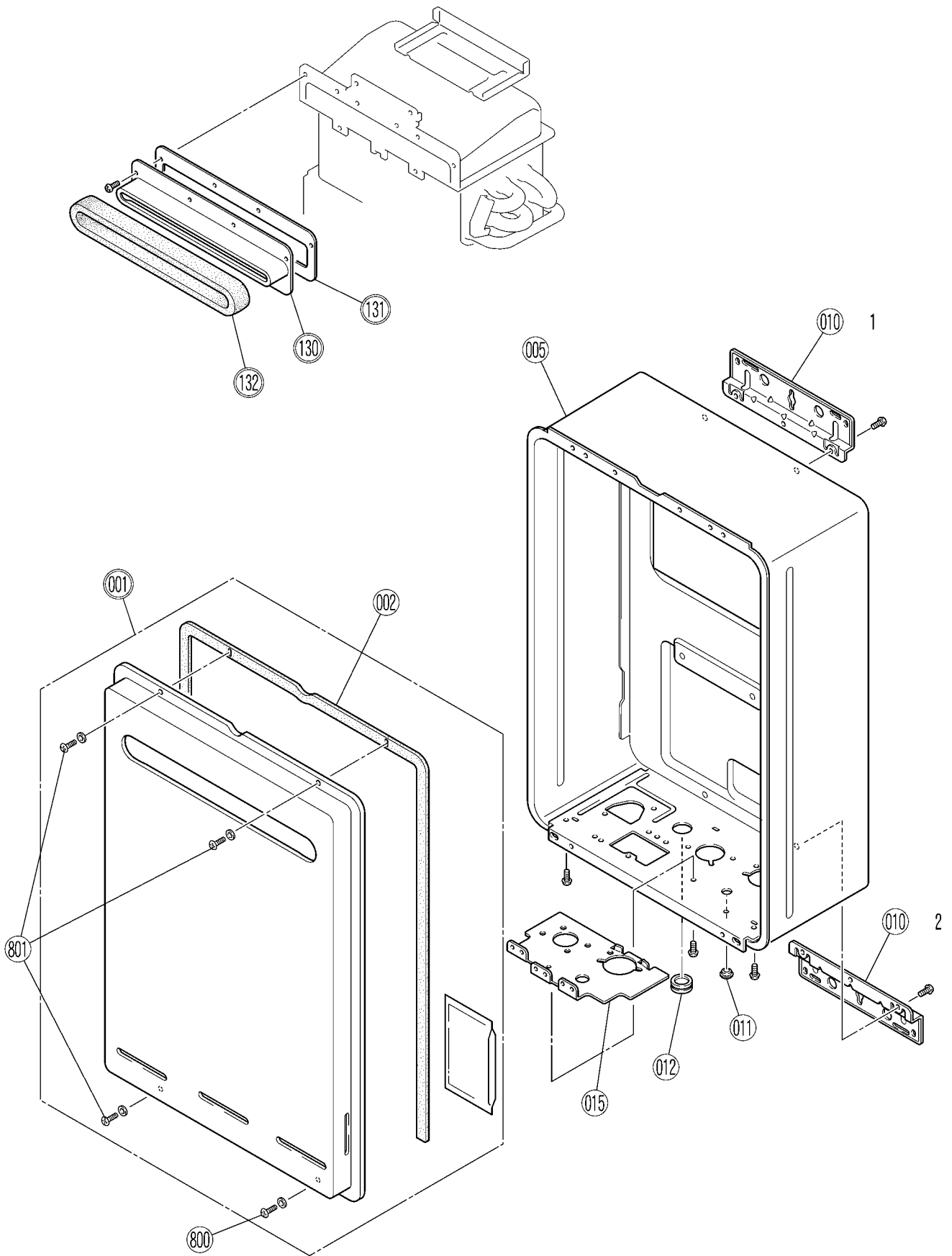
# REU-VR2024WG / REU-VR2024WG-50

REU-VR2024WG-AK

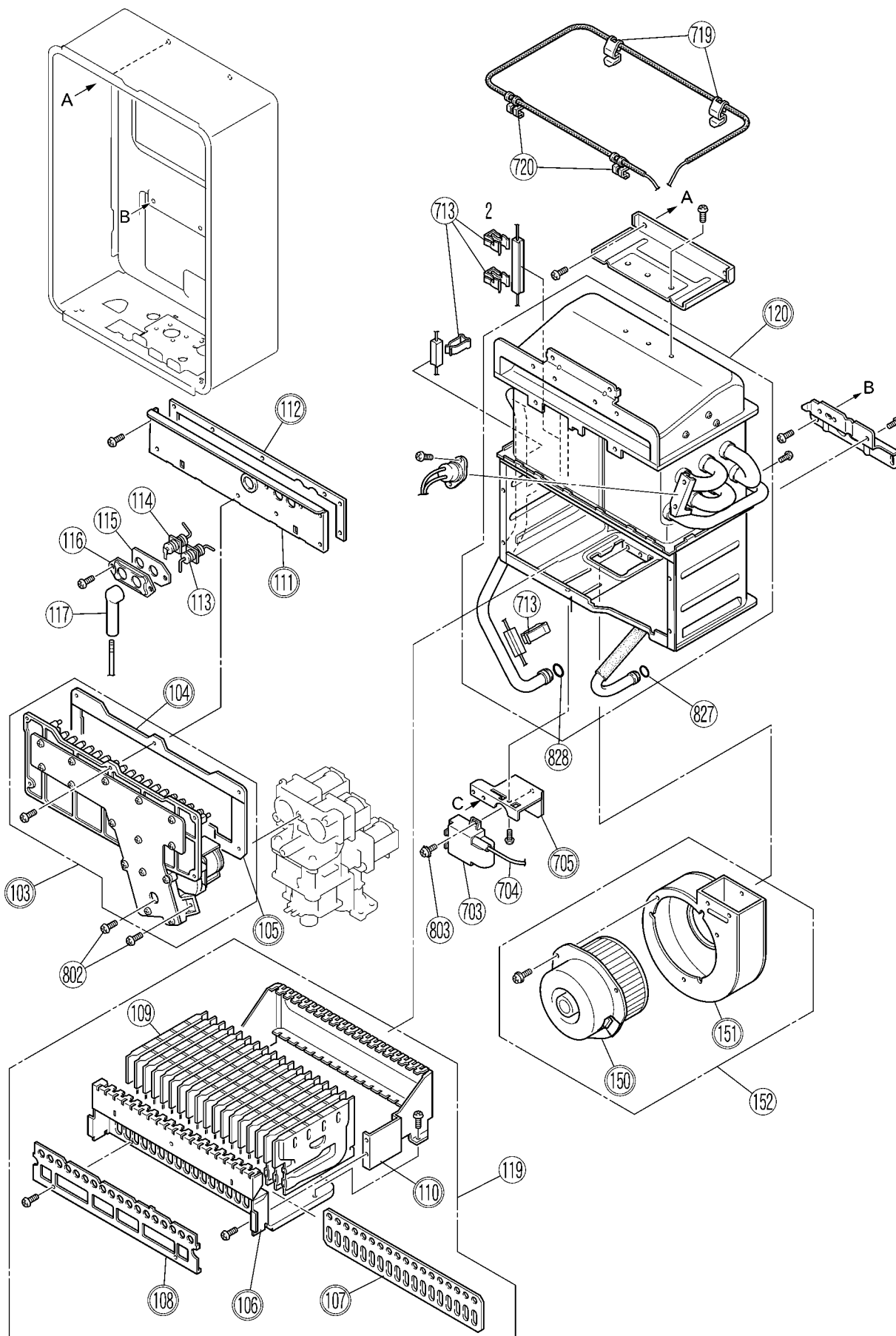
REU-VR2024WG-50-AK

NO	DESCRIPTION	RA PART	RJ 11 DIGIT CODE		
728	Harness Relay Solenoid	<b>92099236</b>	290-1748000	1	1
800	Earth Screw		501-889-000	1	1
801	Truss Screw		501-973-010	3	3
802	Screw		501-0064000	3	3
803	Tapping Screw		501-737-000	1	1
804	Thermistor Fixing Screw		501-295-000	1	1
820	O-Ring	<b>90195165</b>	520-300-010	1	1
821	O-Ring Gas Connection	<b>92072859</b>	520-043-010	1	1
822	O-Ring Gas Conrol	<b>92096502</b>	580-180-000	2	2
825	O-Ring Thermistor	<b>92062249</b>	520-209-010	1	1
826	O-Ring	<b>92062348</b>	520-281-010	1	1
827	O-Ring Heat Exchanger	<b>92072800</b>	520-255-010	1	1
828	O-Ring Heat Exchanger	<b>92062207</b>	520-193-010	1	1
829	O-Ring Heat Exchanger Inlet	<b>92062199</b>	520-048-010	1	1
830	O-Ring In/Out Water	<b>92071182</b>	520-049-010	1	1

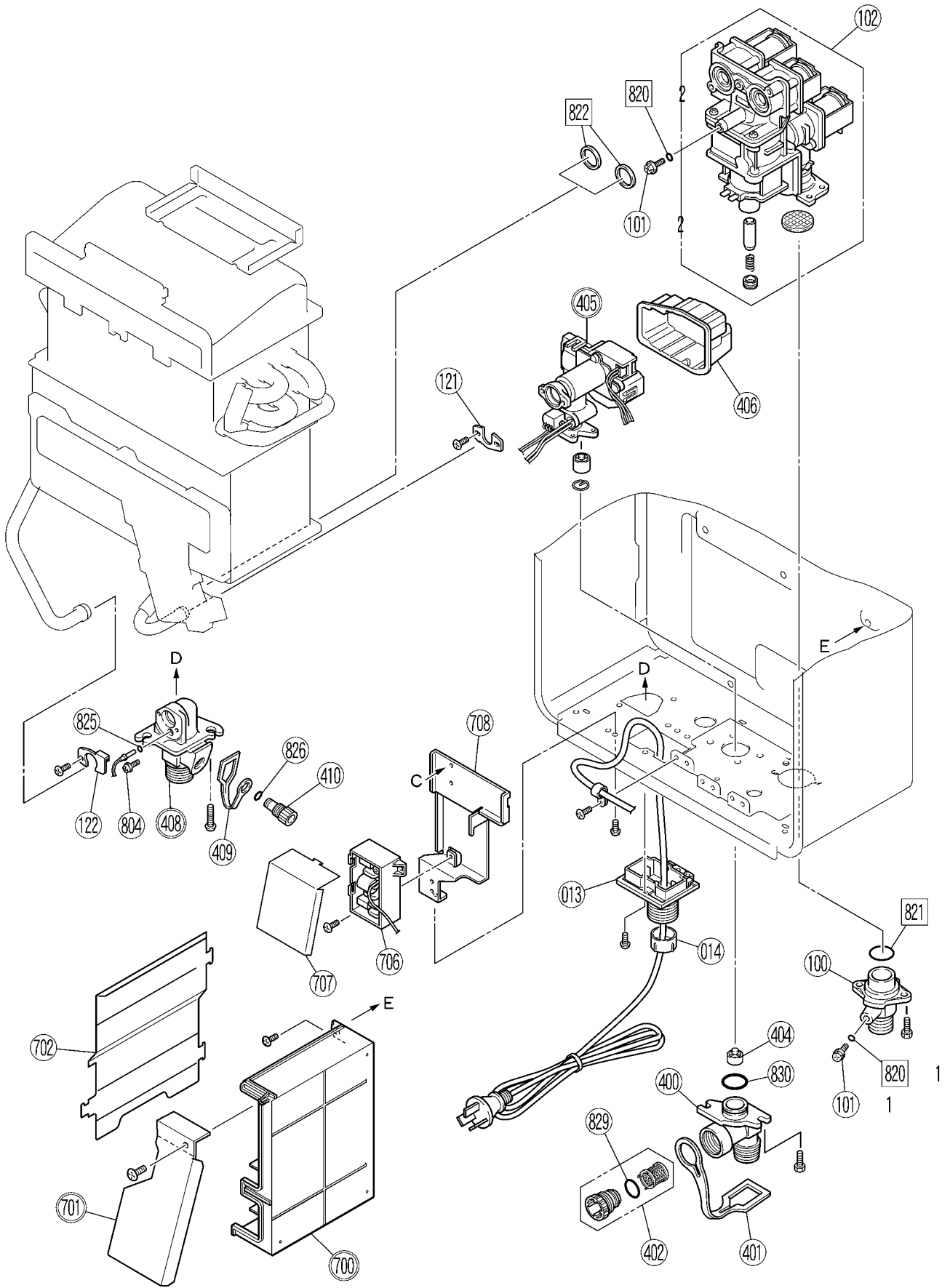
REU-VR1620W/VR2024W/VR2426W/VR2626W-AK



REU-VR1620W/VR2024W/VR2426W/VR2626W-AK



REU-VR1620W/VR2024W/VR2426W/VR2626W-AK



REU-VR1620W/VR2024W/VR2426W/VR2626W-AK

