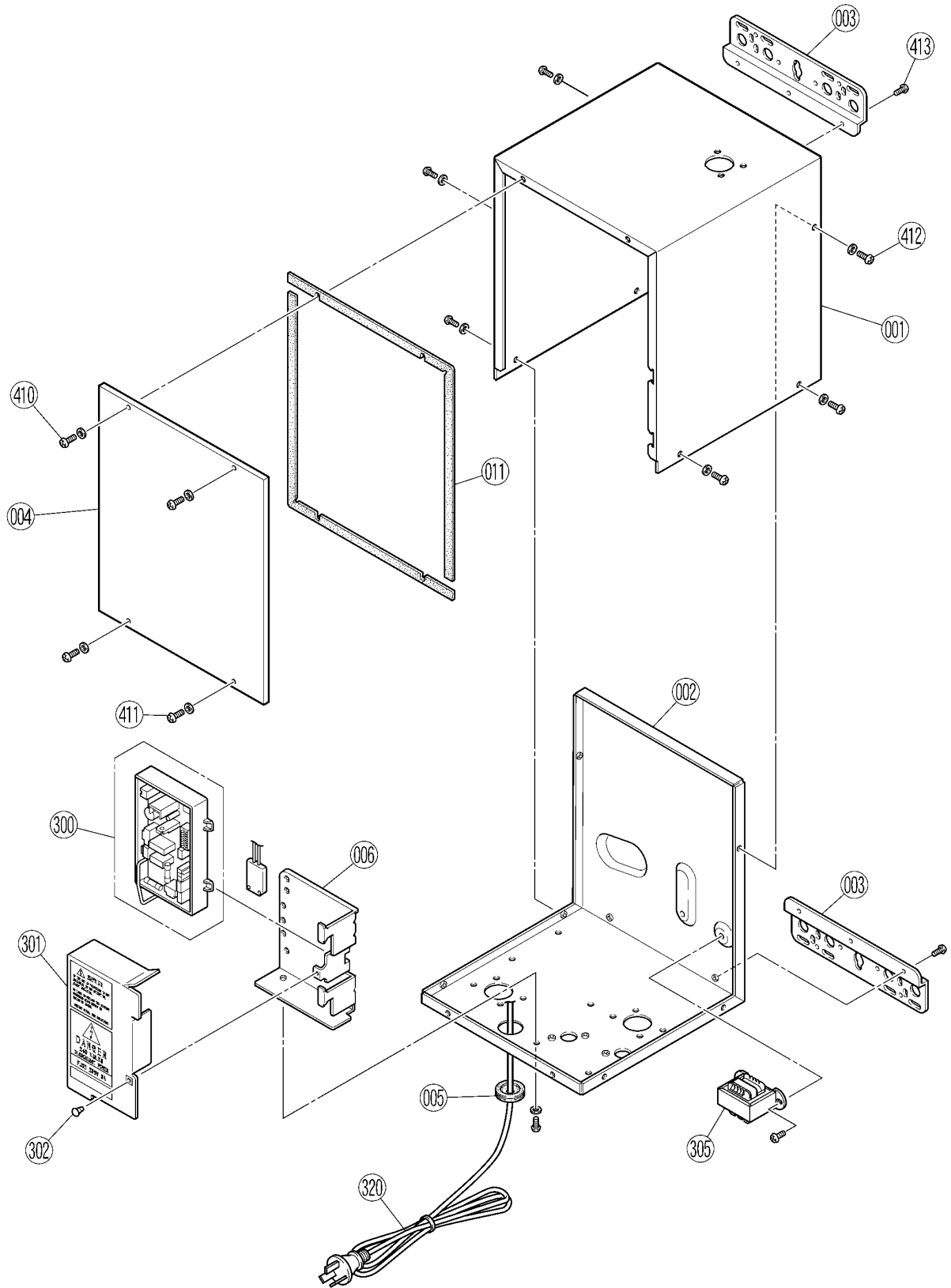
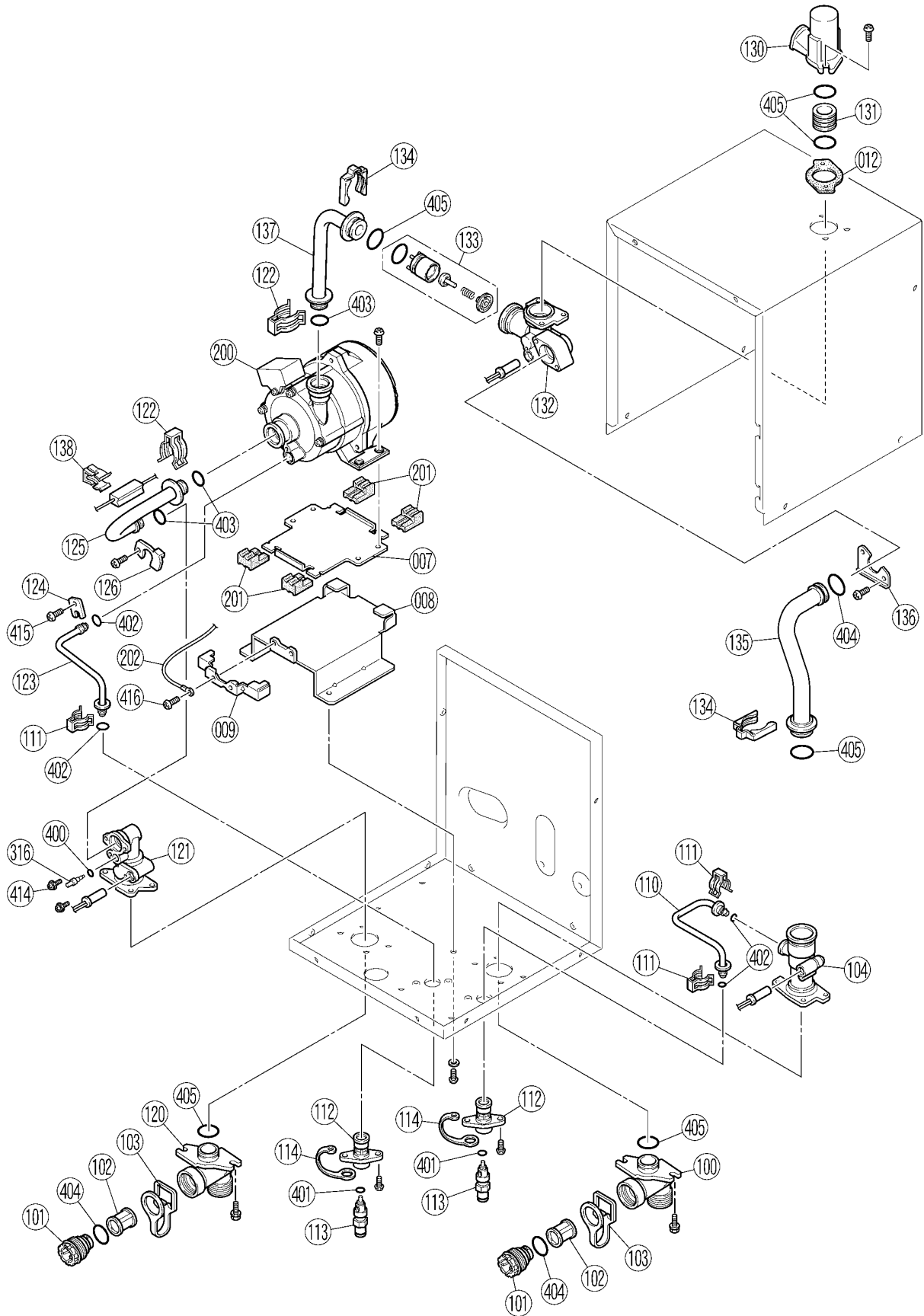
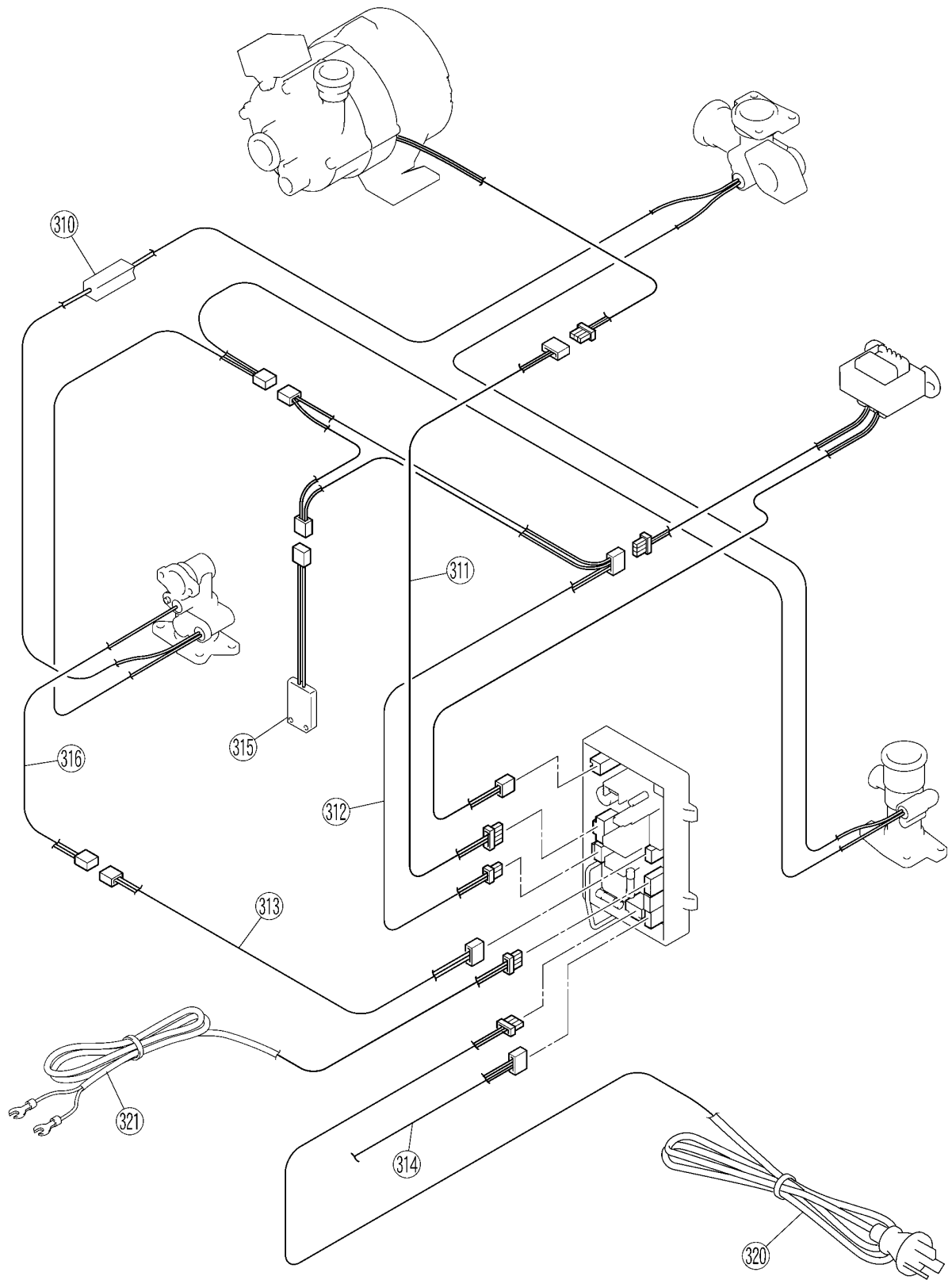


# 14. Exploded Diagram







# 15. Parts List

Effective: 19/08/2005

## SMARTSTART® - REU-CUG1-AK

No.	Part Name	RA Part No.	11 Digit Code	RJ Dwg No.	QTY
1	CASE, Main Body		098-1233000	U268-111	1
2	PLATE, Bottom Main Body		005-217-000	U268-113	1
3	PLATE, Bottom Wall Hang		106-292-000	BH59-092	1
4	PANEL, Front Main Body	92097021	019-2708000	U268-121	1
5	BUSHING, Rubber		194-143-000	ACF10-120-2	1
6	CONTROL, Unit Electric		537-0362000	U268-170	1
7	BASE, Pump S		013-385-000	U251-341	1
8	PUMP, Base Bracket		013-434-000	U268-160	1
			538-357-000	BH29-555	1
11	PACKING, Main Body		580-0264000	U268-115	1
12	GASKET, Outlet Water	92097112	582-947-000	H89-1519	1
100	INLET Water 3/4	92089044	333-301-000	H73-500	1
101	PLUG - Inlet	92089036	196-037-000	H98-510-S	1
102	FILTER Water O Large	92083773	017-268-000	H73-511	2
103	BAND, Plug		553-119-000	U250-631	1
104	VALVE, Non Return		340-071-000	U268-411	1
105	VALVE		338-014-000	H73-1542	1
106	PACKING		580-0205000	M5E1-11	1
107	VALVE		161-442-000	M9C1-13	2
108	SPRING, Valve Non Return		560-643-000	M5E1-9	1
109	GUIDE		551-224-000	M5E1-3	1
110	DRAIN, Valve Non-Return		337-131-000	U268-340	1
111	FASTENER		512-247-000	M10A-5-2	1
112	INLET, Drain Valve	92097138	333-380-000	H86-585	1
113	VALVE, Drain	92097120	337-034-000	AH50-590	2
114	VALVE, Drain Band A		324-003-000	AU84-607	1
120	INLET, Water 1/2	92097104	TBA		1
121	CONNECTOR		326-185-000	U268-421	1
122	CLIP, Hose/Pipe	92092485	512-249-000	M10A-1-5-5	1
123	DRAIN TUBE, Assy Pump		337-132-000	U268-345	1
124	RETAINER, Drain Tube		508-623-000	CH4-545	1
125	TUBE, Pump		332-922-000	U268-320	1
126	BRACKET, Fixing B		537-501-000	AU195-322	1
130	OUTLET, Water	92097146	333-422-000	BH57-521-3	1
131	BUSH		194-105-000	AH57-525	1
132	INLET Bypass	92097096	333-420-000	U268-435	1
133	VALVE, Inlet Non-Return	92097088	340-044-000	M5F-4	1
134	U Quick (16A)		0U331067300	H81-434	1
135	CONNECTION, Assy Water		332-923-000	U268-310	1
136	BRACKET		333-317-000	H73-428	1

**SMARTSTART® - REU-CUG1-AK**

No.	Part Name	RA Part No.	11 Digit Code	RJ Dwg No.	QTY
137	TUBE, Pump		332-924-000	U268-325	1
138	CLIP, Heater Fixing	92076123	537-174-000	AU100-721	1
200	PUMP, Water Assy	92097039	270-076-000	U268-550	1
201	CAP, Rubber		540-038-000	BH35-425	1
202	HARNESS-2 Electric Wire	92097161	204-836-000	CH21-496-2	1
300	PCB, Main	92097047	210-680-000	U268-500-B	1
301			098-1234000	U268-171-A	1
302	CLIP		504-058-000	CP-90200	1
305	TRANSFORMER	92097054	224-347-000	ET-308	1
310	HEATER, A-Frost	92097153	235-351-000	U268-510	1
311	HARNESS, Pump		290-0971000	U268-601	1
312	HARNESS, Transformer		290-0972000	U268-602	1
313	HARNESS, Sensor		290-0973000	U268-603	1
314	HARNESS, Manual Switch		290-0974000	U268-604	1
315	SWITCH, Thermal	92097187	234-444-000	H73-750	1
316	THERMISTOR	92073675	233-108-000	BH45-650	1
320	ELECTRIC Cord	92097062	206-251-000	CP-90567	1
321	CABLE, Comms	92098276	214-053-000	AH59-1076	1
400	O-Ring, Thermistor	92062249	520-209-010	M10B-2-4	1
401	O-Ring B Bypass	92071455	520-194-010	M105-2-5	1
402	O-Ring Water 6mm	92043223	520-074-010	M105-2-6	1
403	O Ring Heat Exchanger	92072800	520-255-010	M10B-2.12.5	1
404	O-Ring Heat Exchanger Inlet	92062199	520-048-010	M10B-2.16	1
405	O-Ring, Water Inlet / Outlet	92071182	520-049-010	M10B-2.18	1
410	SCREW, Truss		501-973-010	CP-30587	1
411	SCREW		501-889-000	CP-30583	1
412	SCREW, Tapping		501-0007000	U217-449	1
413	SCREW		501-865-000	ZAA0408UK	1
414	SCREW, Thermistor		501-0008000	ZAA0408UK	1
415	SCREW, Tapping		501-262-000	ZFAB0408SZ	1
416	SCREW, Tapping		501-249-010		1