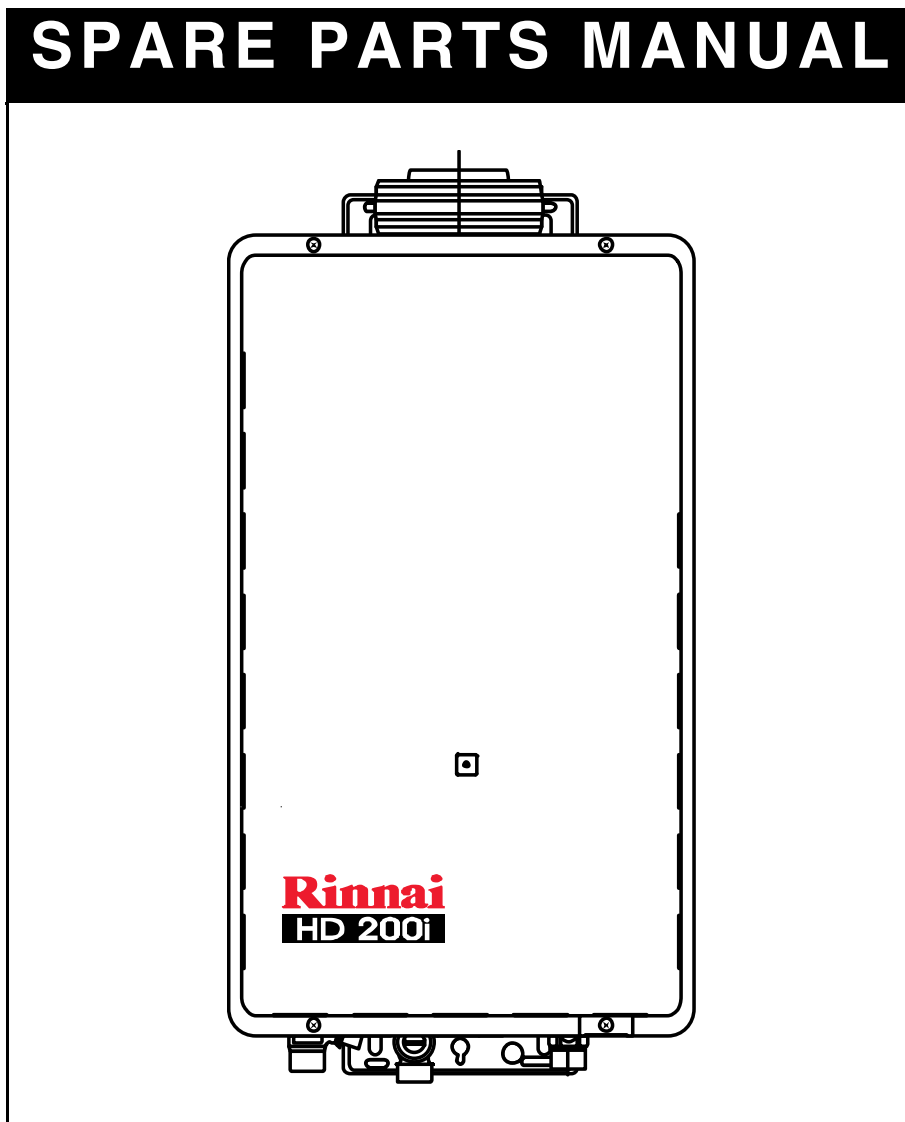


Rinnai

**REU-V2632FFUG-A /
REU-VM2632FFUC(65)-A**

SPARE PARTS MANUAL



Effective: 3/7/06
Supercedes: N/A

Issue No. 1

REU-V2632FFUG-A / REU-VM2632FFUC(65)-A

NO	Part Name	RA Part Number	11 Digit Code	REU-V2632FFUG-A	REU-VM2632FFUC(65)-A
000	Main Body (Outer Case)	92092052	014-449-000		1
000	Main Body (Outer Case)	92092051	014-448-000	1	
002	Wall Fitting Bracket-2		106-577-000	1	
002	Wall Fitting Bracket-7		106-578-000		1
004	Panel Connection Reinforcement		044-064-000	1	1
005	Heat Protection Plate		030-915-000	1	1
006	Panel Front	92092056	019-3461000	1	
006	Panel Front	92092057	019-3462000		1
007	Panel Seal Front Top	92086909	580-453-000	1	1
008	Panel Seal Front Side	92063361	510-990-000	2	2
009	INF20 Cable Entry	92073352	106-104-000	1	1
010	Gasket Blind		510-893-000	2	2
011	Harness Easy Connect	92099986	106-641-000	1	1
012	Connection Support Clip		538-840-000	1	1
100	Gas Control Assembly	92086736	120-0016000	1	1
101	Screw Test Point	92099956	501-275-005	3	3
102	Inlet Gas 3/4"	92081587	106-290-000	1	1
103	Burner Assembly LP / NG	92092212	000-059-000	1	1
104	U Burner Case Front Panel		098-902-000	1	1
105	24 Burner Case Bottom Panel		005-137-000	1	1
106	Packing		580-440-000	1	1
107	Lean and Rich Bunsen Burner		157-090-000	16	16
108	U Burner Case Front Panel		098-904-000	1	1
109	24 Damper		140-597-000	1	1
110	Manifold Assembly (LPG)	92094318	101-705-000	1	1
110	Manifold Assembly (NG)	92094319	101-706-000	1	1
111	Combustion Chamber Packing		580-547-000	1	1
112	24 Comb Chamber Packing Lower		580-569-000	1	1
114	Combustion Chamber Front Panel		019-1337000	1	1
116	Electrode	92086974	202-156-000	1	1
117	Electrode FR	92093914	0U711467800	1	1
118	Packing Electrode RH	92086990	580-507-000	1	1
119	Electrode Holder RH	92087006	580-505-000	1	1
120	Combustion Chamber Packing Upper		580-998-000	1	1
121	Back Pressure Joint		197-951-000	1	1
122	Tube Pressure	92071570	513-208-000	1	1
125	Fan Comb Assy	92092097	222-513-000	1	1

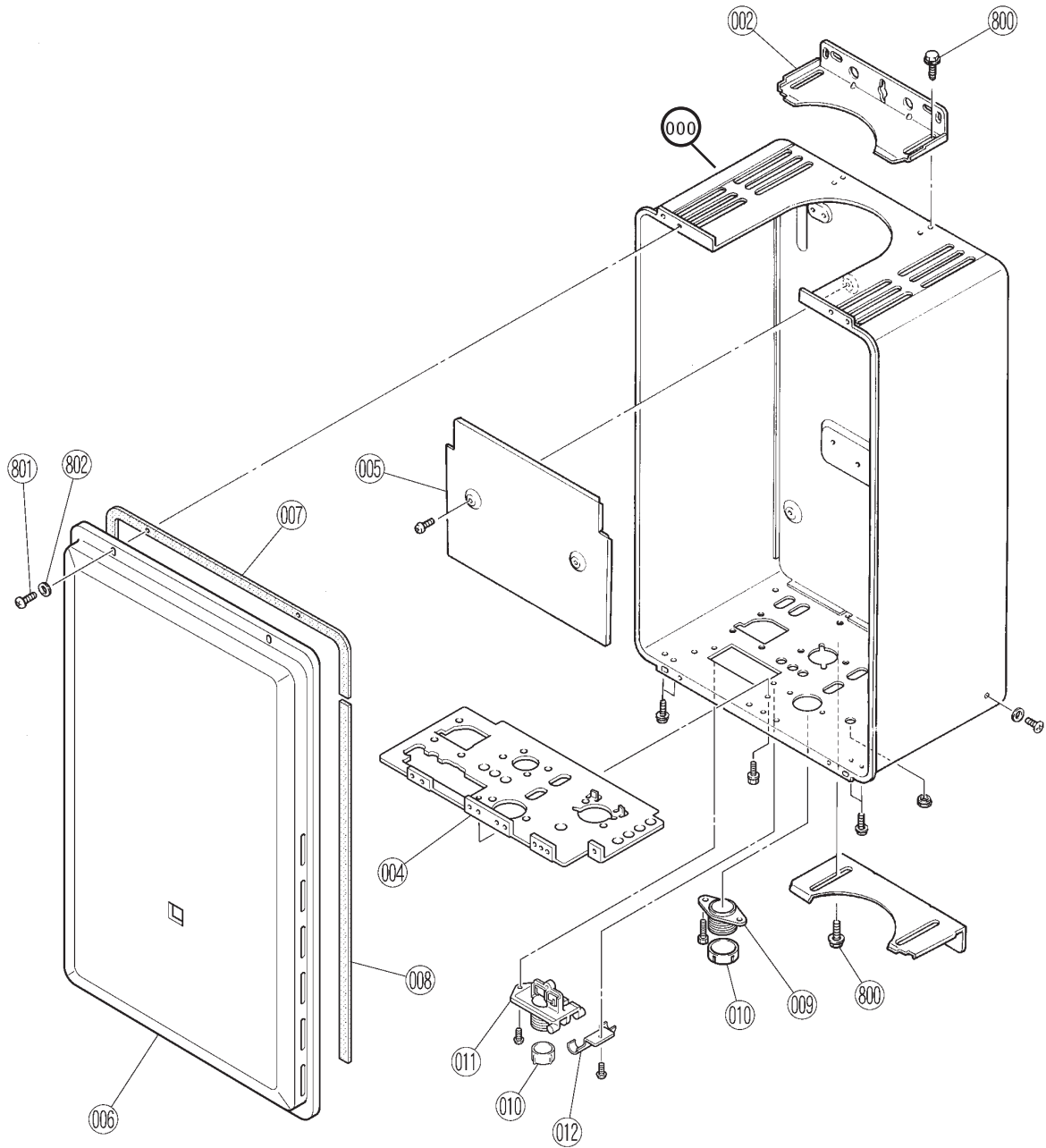
REU-V2632FFUG-A / REU-VM2632FFUC(65)-A

NO	Part Name	RA Part Number	11 Digit Code	REU-V2632FFUG-A	REU-VM2632FFUC(65)-A
126	Fan Casing All		098-0421000	1	1
127	Connecting Combustion Fan	92098870	106-320-000	1	1
128	Packing Fan Connecting	92098888	580-338-000	1	1
129	Fan Motor		222-514-000	1	1
130	Bell Mouth		036-201-000	1	1
131	Joint Fixing Pipe		055-740-000	1	1
132	Combustion Chamber Bracket		538-512-000	1	1
135	Air Inlet Duct Assembly		527-266-000	1	1
136	Joint Bracket		538-513-000	1	1
137	Connecting joint		197-960-000	1	1
138	Joint Fixing Bracket		538-590-000	1	1
139	Exhaust Flue	92095983	055-758-000	1	1
140	Joint Exhaust Tube Frame		047-719-000	1	1
141	Joint Exhaust Tube Frame Supporter		538-514-000	2	2
142	Air Inlet Box Cover		035-0413000	1	1
145	Heat Exchanger Assembly		314-694-000	1	1
400	Inlet Water 3/4	92089044	333-301-NPB	1	1
401	Water Flow Sensor	92092114	301-156-000	1	1
402	Rectifier		330-107-000	1	1
403	By-pass Servo Assembly	92092122	301-158-000	1	1
404	Stop Bracket		512-401-000	2	2
405	Plug Band		553-119-000	1	1
406	Filter Water 0 Large	92083773	196-062-000	1	1
408	Outlet Water 3/4	92093806	333-386-000	1	1
409	Stop Bracket		538-515-000	1	1
410	Plug Band		553-043-000	1	1
411	Valve Pressure Relief	92081751	337-048-000	1	1
700	PCB Main	92092140	210-813-000	1	1
701	Surge Arrestor	92093699	210-605-000	1	1
702	Electric Unit Cover		098-1868000	1	1
703	EC Cover		098-1869000	1	1
705	Electric Unit Fixing Plate		537-0060000	1	1
706	Sparker	92095026	261-157-000	1	1
707	Lead HT	92075119	203-154-000	1	1
708	Sleeve Electrode	92087030	518-035-000	1	1
709	Thermistor 1	92095030	233-246-000	1	1
709	Thermistor 2	92095031	233-247-000	1	1

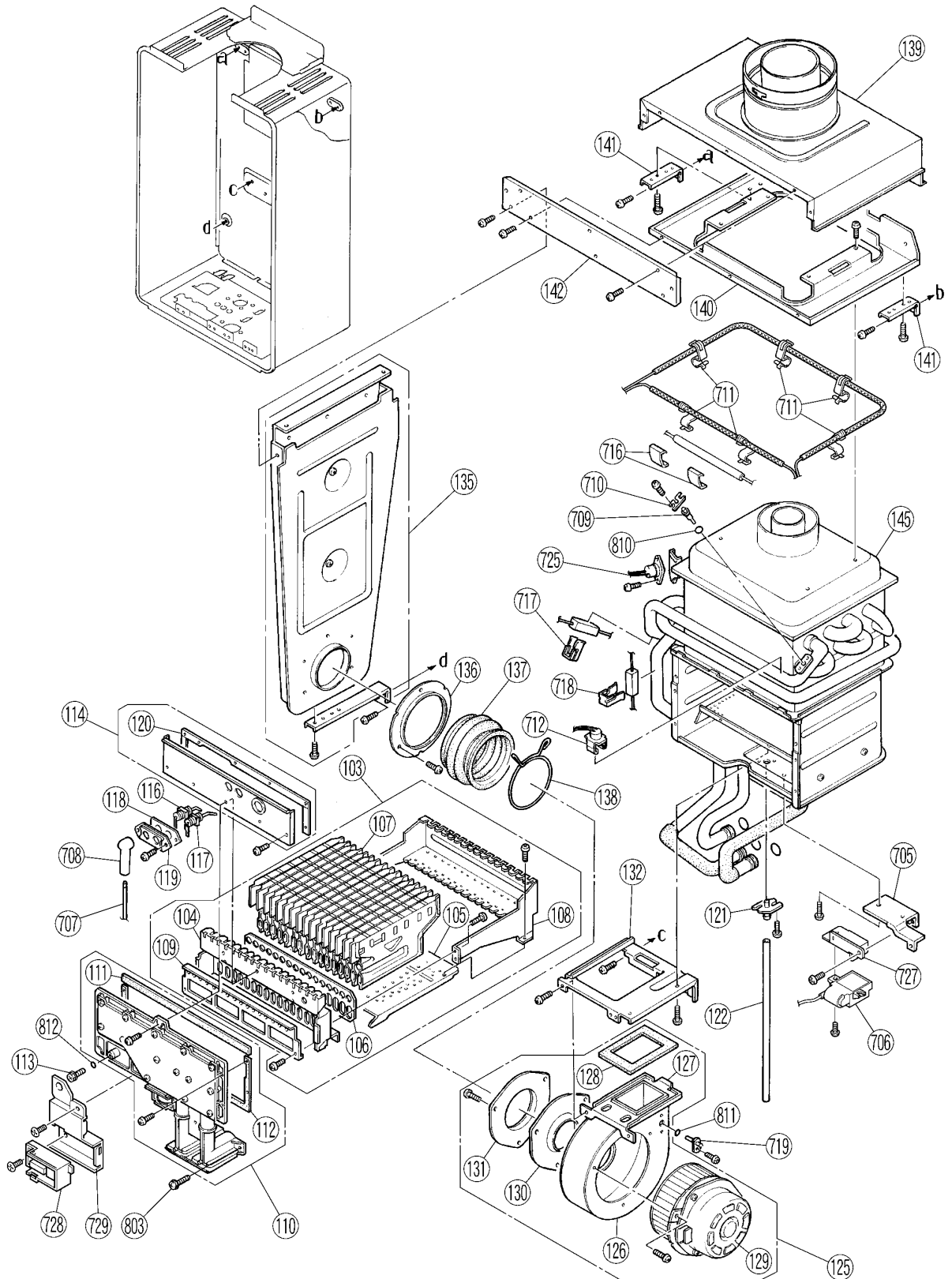
REU-V2632FFUG-A / REU-VM2632FFUC(65)-A

NO	Part Name	RA Part Number	11 Digit Code	REU-V2632FFUG-A	REU-VM2632FFUC(65)-A
710	Bracket Flame Rod	92086388	508-836-000	1	1
711	Temperature Fuse Fixing Plate		537-505-000	5	5
712	Switch Frost Sensing	92092170	234-540-000	1	1
713	Heater Anti Frost	92093294	235-368-000	1	1
714	Heater Water Flow	92092262	235-369-000	1	1
716	Bracket Heater	92093301	538-493-000	1	1
717	Heater Fixing Plate A		537-155-000	1	1
718	Clip Heater	92076123	537-174-000	1	1
719	Thermistor Fan	92099991	233-261-000	1	1
720	Elec Cord	92089051	206-226-000	1	1
721	Harness Fuse	92094003	290-1299000	1	1
723	Harness Magnet Valve	92099985	290-1301000	1	1
724	Harness Sensor	92099987	290-1302000	1	1
725	Thermal Fuse	92092189	232-191-000	1	1
726	Sensor MR	92099988	243-133-000	1	1
727	Harness Sparker	92099989	290-1303000	1	1
728	Harness Power	92099990	290-1304000	1	1
729	Harness Remote Controller	92099961	290-1288000	1	1
800	Hexagon FT Bolt		501-577-000	8	8
801	Truss Screw		501-399-010	3	3
801	Screw		501-409-000	1	1
802	Resin Washer		503-022-010	3	3
803	Screw		501-0064000	3	3
804	Thermistor Stop Screw		501-295-000	1	1
805	Screw		501-262-000	3	3
810	O-ring Thermistor	92062249	520-209-010	2	2
811	O-ring		520-046-010	1	1
812	O-ring Test Point	90195165	520-300-010	3	3
813	O-ring In / Out Water	92071182	520-049-010	2	2
814	O-ring	92062199	520-048-010	2	2
815	O-ring Heat Exchanger	92062207	520-193-010	2	2
816	O-ring	92062348	520-281-010	1	1
817	O-ring Gas Con	92072859	520-043-010	1	1
818	O-ring Gas Control	92096502	580-180-000	2	2
888	Operation Manual		623-344-700	1	1
889	Establishment Manual		K23-372-300	1	1

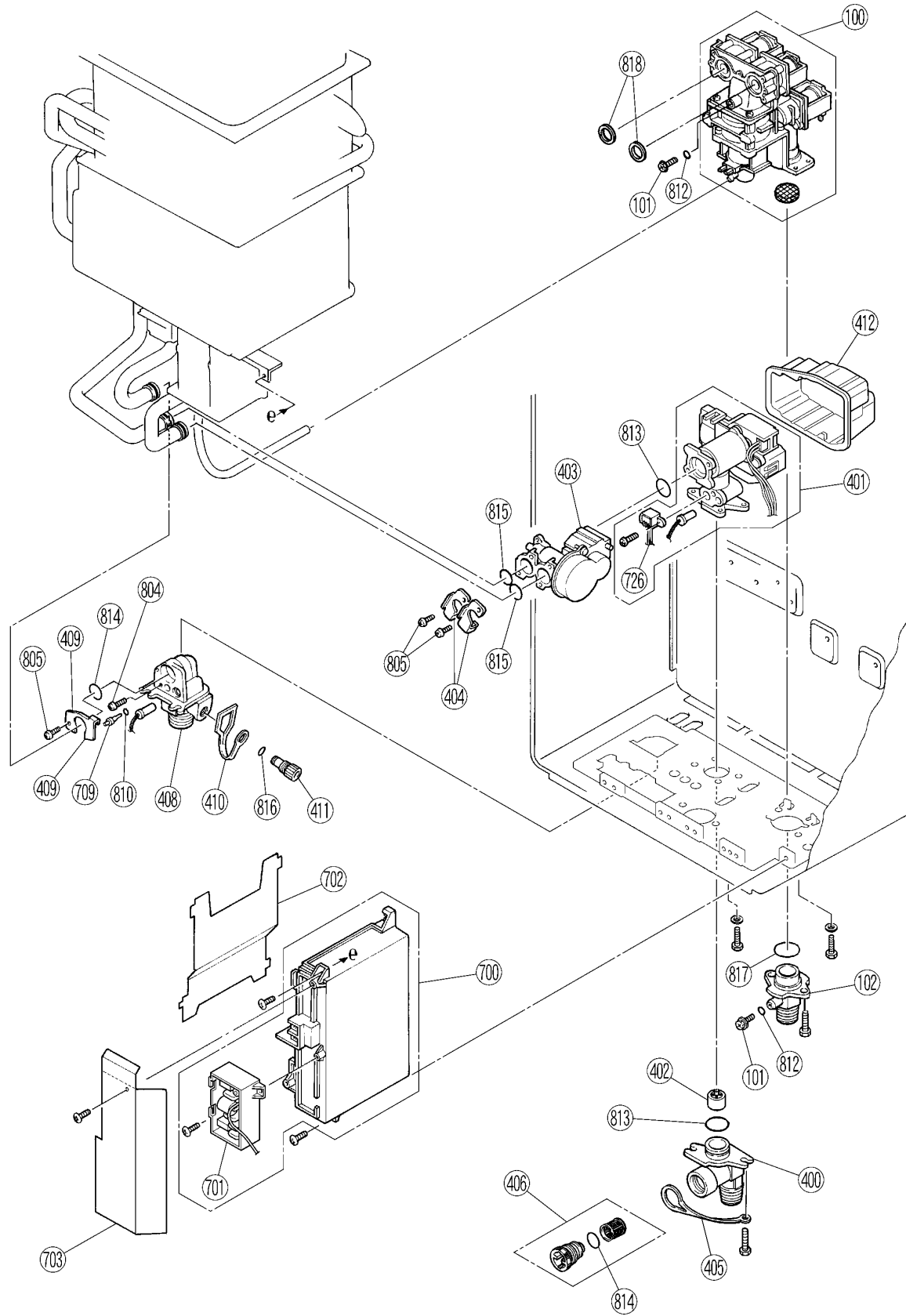
REU-V2632FFUG-A



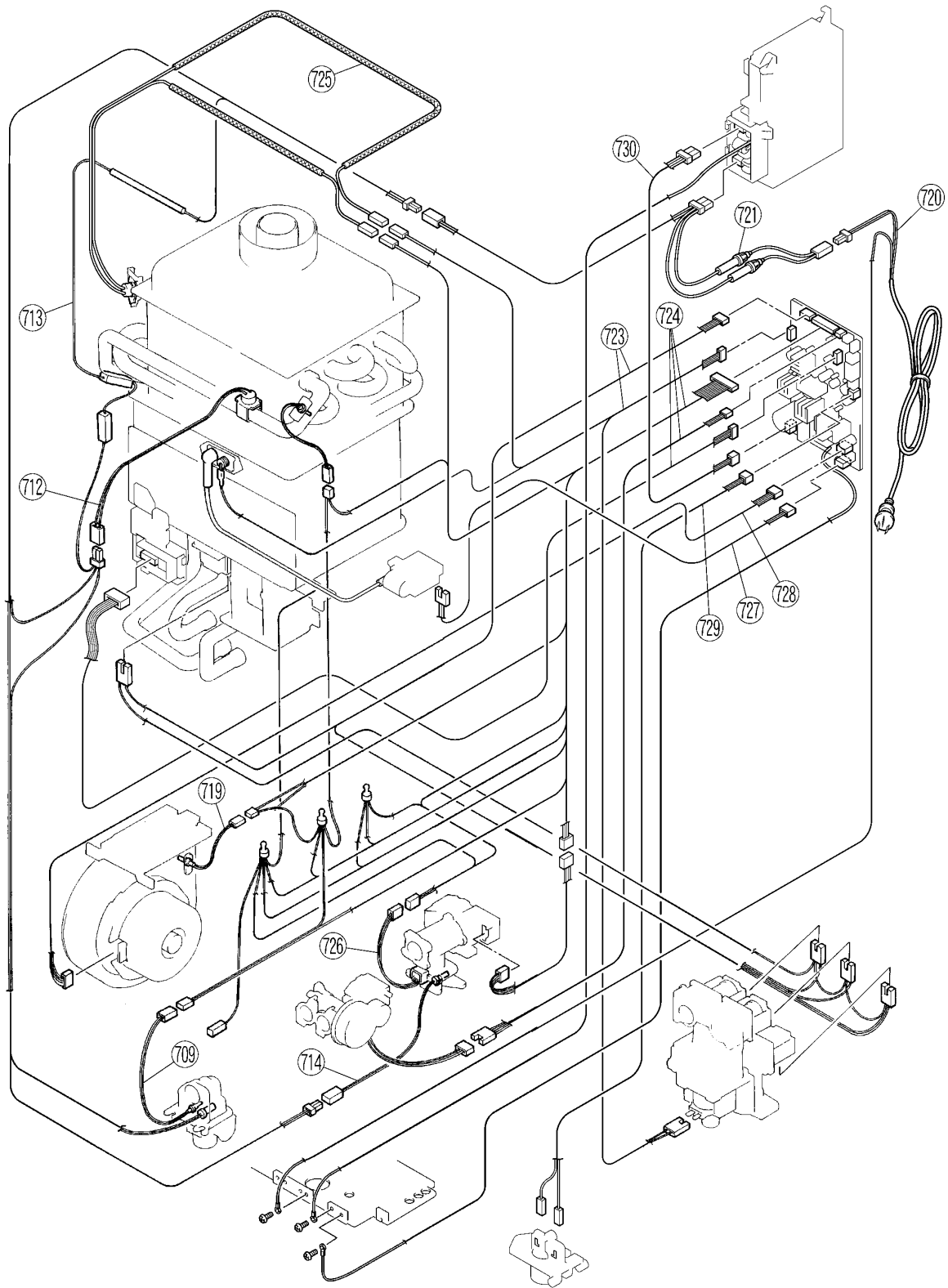
REU-V2632FFUG-A



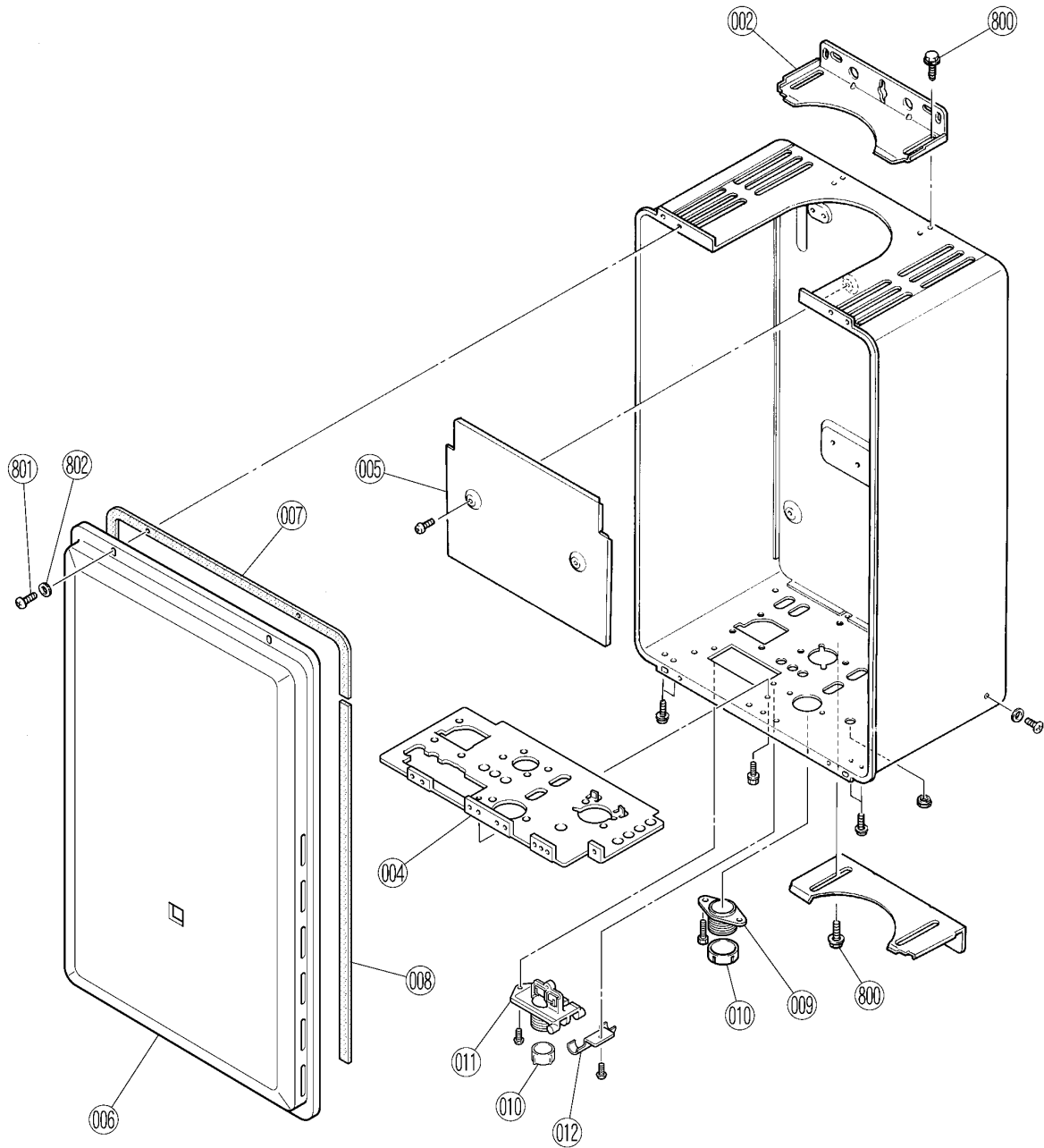
REU-V2632FFUG-A



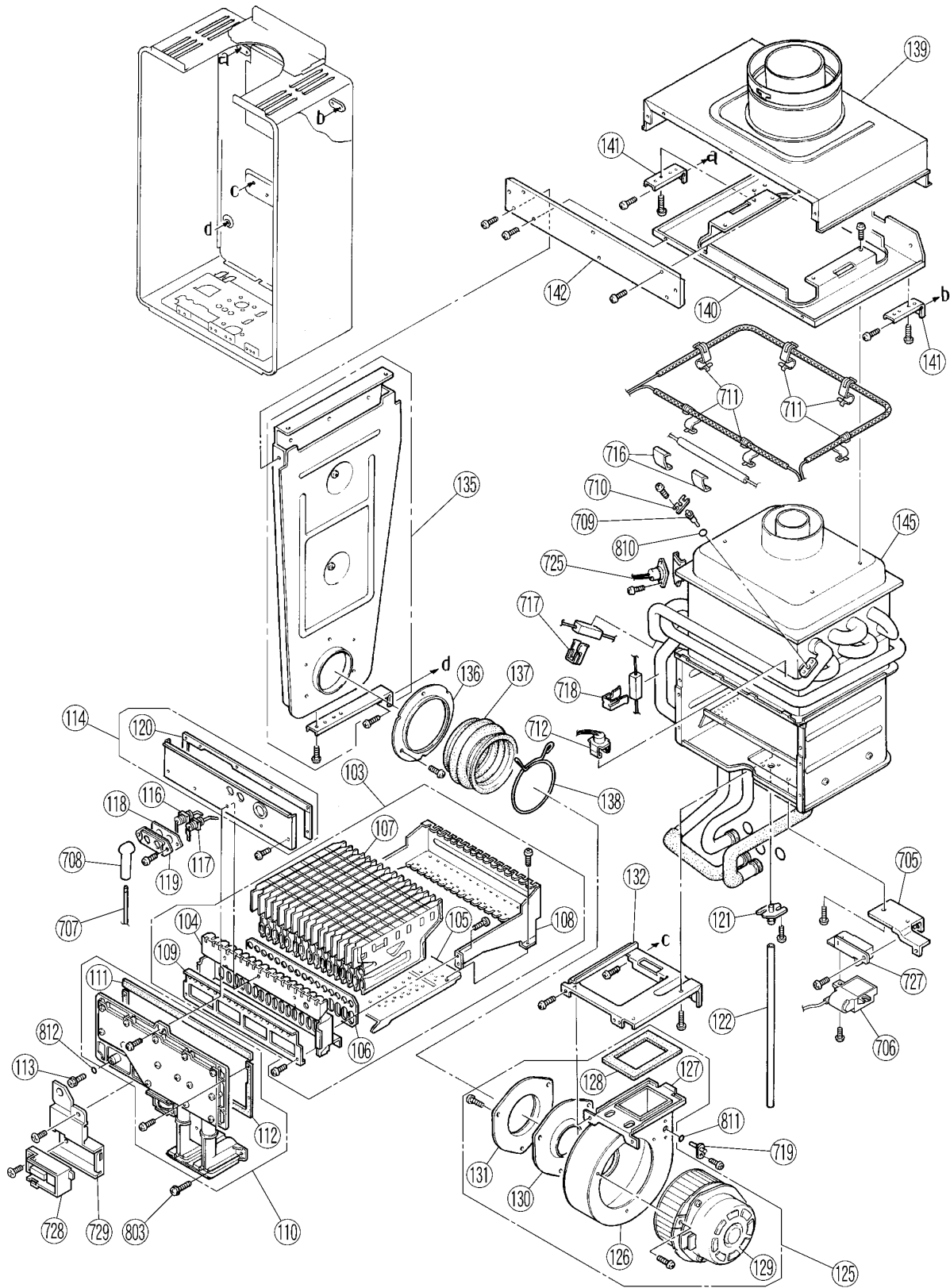
REU-V2632FFUG-A



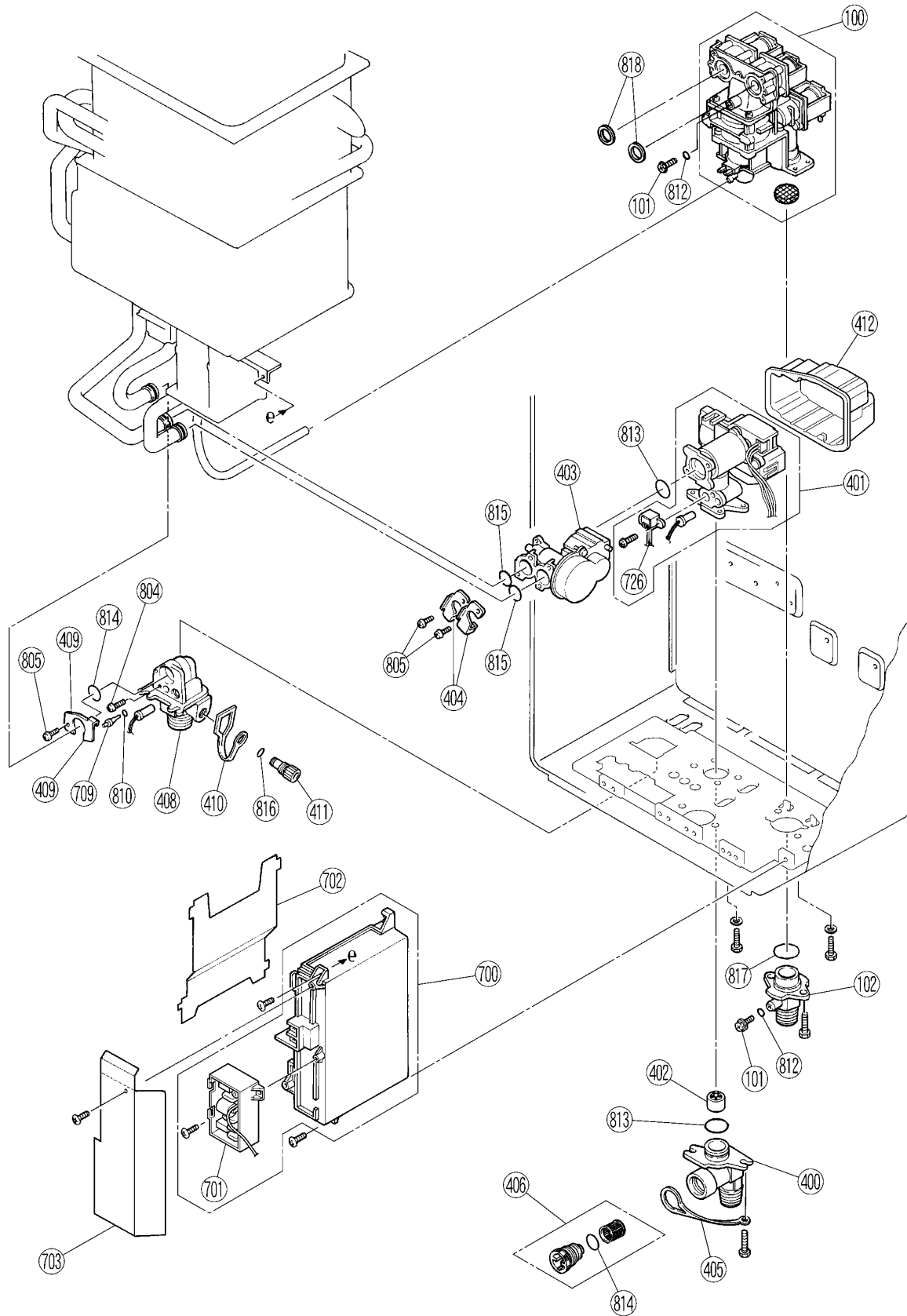
REU-VM2632FFUC(65)-A



REU-VM2632FFUC(65)-A



REU-VM2632FFUC(65)-A



REU-VM2632FFUC(65)-A

