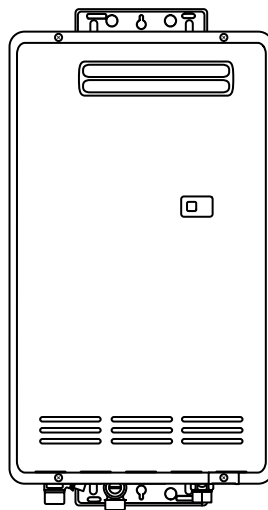


Rinnai

REU-V2626W REU-V2632WC External

SPARE PARTS MANUAL



Rinnai High Capacity Continuous Flow Gas Hot Water System

Effective: 19/07/04
Supercedes: 01/01/04

Issue No. 1

REU-V2626W

Effective Date: 30/08/2006

Supersedes: Jan. 2004

No.	PART NAME	RJ DRAWING No.	11 DIGIT CODE	RA PART No.	QTY
001	PANEL, Front	U245-1110-A	019-1806000	92092196	1
002	BODY Assy, Main	U245-1100	014-371-000	92092204	1
003	BRACKET, Mounting	BU195-121	106-329-000	92071323	2
004	PANEL, Connect Reinf.	U245-120	044-064-000		1
005	SHIELD, Heat Insul.	U245-107	030-915-000		1
006	GROMMET	CF79-41020-C	194-025-000		1
007	SEALING, Front Panel	BU195-167	580-453-000	92086909	1
008	SEALING, Body Side	AU115-163	510-990-000	92063361	2
009	ENTRY, Cable	BU56-602-N	106-104-000	92073352	1
010	GASKET, Cable Seal	AU169-126	580-306-000		1
011	GASKET	AU105-113	510-893-000		1
100	GAS CONTROL Assy	C36E-43-S	120-156-000	92092063	1
101	SCREW, T.P. Sealing	C10D-5	501-275-000	90195157	1
102	CONNECTION, Gas 3/4	CU195-211	106-290-000	92081587	1
103	BURNER, Unit Assy	H73-110	000-059-000	92092212	1
104	BURNER CASE, Fr Panel	CH51-209	098-902-000		1
105	BURNER CASE, Btm Plate	H73-112	005-137-000		1
106	GASKET, Bnr Case Fr	BH51-218	580-440-000		1
107	BURNER, Low NOx Bunsen Assy	B3A7-1	157-090-000		16
108	BURNER CASE, Back Plate	CH51-211	098-904-000		1
109	DAMPER	H73-115	140-597-000		1
110	MANIFOLD, Assy (LP)	U245-200-A	101-559-AU0	92092089	1
110	MANIFOLD, Assy (NG)	U245-200-C	101-579-AU0	92092550	1
111	SEALING, Combust.	AU155-207-2	580-547-000		1
112	SEALING, Lwr Comb.Cmbr	H73-214	580-569-000		1
113	FRONT PLATE, Comb. Cmbr Assy	U245-260	019-1337000		1
116	ELECTRODE	H73-120	202-156-000	92086974	1
117	ELECTRODE, Flame Rod	AH41-216	230-047-000	92086982	1
118	GASKET, Electrode	AH66-398	580-507-000	92086990	1
119	HOLDER, Electrode	AH66-393	580-505-000	92087006	1
122	FAN CASING, Assy		035-867-000		1
123	FAN MOTOR, Assy	H89-261	222-480-000	92092220	1
127	CONNECTION, Fan	BH29-606	106-320-000	92098870	1
128	PACKING, Fan Connect	AU183-562	580-338-000	92098888	1
132	BRACKET, Comb Cmbr	U245-255	538-512-000		1
135	FLUE TERMINAL, Assy	U245-1130	055-760-000	92092634	1
136	EXHAUST FLUE		055-760-000	92092634	1

REU-V2626W

Effective Date: 30/08/2006

Supersedes: Jan. 2004

No.	PART NAME	RJ DRAWING No.	11 DIGIT CODE	RA PART No.	QTY
137	GASKET, Flue Terminal	U245-1122	580-0023000		1
138	PACKING, Flue Term.	AH24-653-6	580-835-000		1
140	HEAT EXCHANGER, Assy	U245-340	314-525-000	92092238	1
400	CONNECTION, 3/4 Water	H73-501	333-301-000	92089044	1
401	SENSOR, Water Flow	M8E-4-8	301-096-000	92092246	1
402	RECTIFIER	M8D1-15	330-107-000		1
404	BRACKET	AH195-321	512-507-000		1
405	STRAP, Plug	H73-512	553-087-000		1
406	FILTER, Inlet Water	H73-511	017-268-000	92083773	1
407	FILTER, Plug	H73-510	196-031-000		1
408	3/4 WATER OUTLET	U245-865-1	333-386-000	92093806	1
409	BRACKET, Holder	AU162-1876	538-515-000		1
410	STRAP, Hot Water Outlet	AU129-526	553-043-000		1
411	VALVE, Assy Drain	BU129-520-C	337-048-000	92081751	1
702	PCB Assy Cover	BU195-507	098-442-000		1
703	PCB, Assy Cover Front	BU168-707	098-441-000		1
704	TRANSFORMER, Assy	ET-282	224-326-000	92092154	1
705	MOUNTING PLATE, PCB Case	U245-257	537-0060000		1
706	SPARKER	EI-189	261-153-000	92092162	1
707	LEAD, High Tension	BH38-710-240	203-828-000	92092253	1
708	SLEEVE, Electrode	AU206-218	518-035-000	92087030	1
709	THERMISTOR	BH45-650	233-108-000	92073675	1
710	BRACKET, Flame Rod	CP-90172	508-836-000	92086388	1
711	CLIP, Thermal Fuse	U217-676	537-505-000		5
714	HEATER, Water Flow	U245-776	235-309-000	92092261	1
716	MOUNTING BRACKET, Heater	CF29-742	538-493-000	92093301	2
717	CLIP, Heater A	AU111-653	537-155-000		1
718	CLIP, Heater B	AU100-721	537-174-000	92076123	1
720	ELECTRIC CORD	CP-90491T	206-226-000	92089051	1
721	HARNESS, Therm. Fuse	BU195-1630	290-0030000	92081900	1
722	HARNESS, 100V	U245-601	290-0389000		1
723	HARNESS, Solenoid Valve	U245-602	290-0390000		1
725	FUSE, Thermal Assy	U245-885	232-153-000	92092188	1
726	MR SENSOR, Assy	M8D1-10-4	243-072-000	92092279	1
730	PCB Assy	U245-1700	210-642-000	92092287	1
731	SUB BOARD, Assy	BU195-1643-2	210-565-000	92092147	1
732	SWITCH, Low Temp. Sensor	H73-750	234-444-000	92097187	1

REU-V2626W

Effective Date: 30/08/2006

Supersedes: Jan. 2004

No.	PART NAME	RJ DRAWING No.	11 DIGIT CODE	RA PART No.	QTY
733	HEATER, A/Frost Assy	U245-1620	235-310-000		1
734	HARNESS-3, Sensor SW	U245-605	290-0537000		1
	DECAL PANEL, Front		602-0010000	92092725	1
802	WASHER	AU33-184	503-022-010		3
803	SCREW	CP-21478-412	501-400-000		3
804	SCREW, Thermistor	U217-449	501-295-000		1
805	SCREW, Small Pan	ZAA0408UK	501-262-000		2
806	SCREW	ZBD0508UK	501-802-000		2
807	WASHER	AU48-174	503-026-000		2
808	SCREW	ZBA0510UK	501-397-010		4
809	SCREW	ZAD0408UK	501-399-010		3
809	SCREW	ZHDC408UK	501-409-000		1
810	O-RING	M10B-2-4	520-209-010	92062249	1
812	O-RING	M10B-13-4	520-300-010	90195165	3
813	O-RING	M10B-2-18	520-049-010	92071182	1
814	O-RING	M10B-2-16	520-048-010	92062199	2
815	O-RING	M10B-2-14	520-193-010	92062207	1
816	O-RING	M10B-2-7	520-281-010	92062348	1
817	O-RING	M10B-1-24	520-043-010	92072859	1
818	WASHER	C36E1-6	580-180-000		2
888	CUSTOMER INSTRUCTION	U245-795	623-782-000		1
888	CUSTOMER INSTRUCTION	U245-796	623-783-800		
889	INSTALLATION INSTRUCTION	U245-1650	K23-820-600		1

REU-V2632WC

Effective Date: 30/08/2006

Supersedes: Jan. 2004

No.	PART NAME	RJ PART CODE	11 DIGIT CODE	RA PART NUMBER	QTY
001	PANEL, Front	U245-1110-3	019-1809000	92092410	1
002	OUTER CASE	U245-1100-3	014-381-000	92095884	1
003	BRACKET, Wall Mount.	BU195-121	106-329-000	92071323	1
004	PANEL, Conn. Reinf.	U245-120	044-064-000		1
005	SHIELD, Heat Insul.	U245-107	030-915-000		1
006	GROMMET	CF79-41020-C	194-140-000		1
007	SEALING, Front Panel	BU195-167	580-453-000	92086909	1
008	SEALING, Body Side	AU115-163	510-990-000	92063361	2
009	SKIRT, Cable	BU56-602-N	106-104-000	92073352	1
010	GASKET, Cable Seal	AU169-126	580-306-000		1
011	PACKING	AU105-113	510-893-000		1
100	GAS CONTROL, Assy	C36E-43-S	120-156-000	92092063	1
101	SCREW, T.P. Seal.	C10D-5	501-275-000	90195157	3
102	CONNECTION, Gas 3/4	CU195-211	106-290-000	92081587	1
103	BURNER, Unit Assy	H73-110	000-059-000	92092212	1
104	BURNER CASE, Fr Panel	CH51-209	098-902-000		1
105	BURNER CASE, Btm Plate	H73-112	005-137-000		1
106	GASKET, Bnr Case Fr	BH51-218	580-440-000		1
107	BURNER, Low NOx Bunsen Assy	B3A7-1	157-090-000		16
108	BURNER CASE, Back Plate	CH51-211	098-904-000		1
109	DAMPER	H73-115	140-597-000		1
110	MANIFOLD, Assy (LP)	U245-200-A	101-559-AU0	92092089	1
110	MANIFOLD, Assy (NG)	U245-200-C	101-633-AU0	92094309	1
111	SEALING, Combust.	AU155-207-2	580-547-000		1
112	SEALING, Lwr Comb.Cmbr	H73-214	580-569-000		1
113	FRONT PLATE, Comb. Cmbr Ass	U245-261	019-1337000		1
116	ELECTRODE	H73-120	202-156-000	92086974	1
117	FLAME ROD	AH41-216	230-047-000	92086982	1
118	GASKET, Electrode	AH66-398	580-507-000	92086990	1
119	HOLDER, Electrode	AH66-393	580-505-000	92087006	1
122	FAN CASING, Assy	CH51-615	035-867-000		1
123	FAN MOTOR, Assy	H89-261	222-480-000	92092220	1
127	PACKING, Fan Connect	BH29-606	106-320-000	92098870	1
128	PACKING, Fan Connect	AU183-562	580-338-000	92098888	1
132	BRACKET, Comb Cmbr	U245-255	538-512-000		1
136	FLUE EXHAUST	U245-1130	055-760-000	92092634	1
137	GASKET, Flue Terminal	U245-1122	580-0023000		1
138	PACKING, Flue Term.	AH24-653-6	580-835-000		1

REU-V2632WC

Effective Date: 30/08/2006

Supersedes: Jan. 2004

No.	PART NAME	RJ PART CODE	11 DIGIT CODE	RA PART NUMBER	QTY
140	HEAT EXCHANGER, Assy	U245-1310-C-S	314-524-000	92093550	1
400	CONNECTION, 3/4 Inlet Water	H73-501	333-301-000	92089044	1
401	SERVO, Water Flow Sensor	M8E-6-6 / M8E-6-7	301-095-000	92097815	1
402	RECTIFIER	M8D1-15	330-107-000		1
403	SERVO, By-Pass Assy	M6J-1-3	301-084-000	92092121	1
404	BRACKET, Stop	AH69-310	512-401-000		2
405	PLUG, Band	H73-512	553-087-000		1
406	FILTER, Inlet Water	H73-511	017-268-000	92083773	1
407	FILTER, Plug	H73-510	196-031-000		1
408	3/4 Outlet Water	U245-865-1	333-386-000	92093806	1
409	BRACKET, Stop	AU162-1876	538-515-000		1
410	VALVE, Assy Drain	AU129-526	553-043-000		1
411	VALVE, Pressure Relief	BU129-520-C	337-048-000	92081751	1
702	PCB, Cover-Side	BU195-507	098-442-000		1
703	PCB Cover-Front	BU168-707	098-441-000		1
704	TRANSFORMER, Assy	ET-282	224-326-000	92092154	1
705	BRACKET, PCB	U245-257	537-0060000		1
706	SPARKER	EI-189	261-153-000	92092162	1
707	LEAD, High Tension	BH38-710-240	203-828-000	92092253	1
708	ELECTRODE, Sleeve	AU206-218	518-035-000	92087030	1
709	THERMISTOR	BH45-650	233-108-000	92073675	2
710	BRACKET, Flame Rod	CP-90172	508-836-000	92086388	1
711	CLIP, Thermal Fuse	U217-676	537-505-000		5
714	HEATER, Water Flow	U245-776	235-309-000	92092261	1
716	HEATER	CF29-742	538-493-000	92093301	2
717	HEATER A	AU111-653	537-0059000	92093319	1
718	HEATER B	AU100-721	537-174-000	92076123	1
720	ELECTRIC CORD	CP-90491T	206-226-000	92089051	1
721	HARNESS, Therm. Fuse	BU195-1630	290-0030000	92081900	1
722	HARNESS, 100V	U245-601	290-0389000		1
723	HARNESS, Solenoid Valve	U245-602	290-0390000		1
725	FUSE, Thermal Assy	U245-885	232-153-000	92092188	1
726	MR SENSOR, Assy	M8D1-10-4	243-072-000	92092279	1
730	PCB Assy	U245-1600-B	210-642-000	92093668	1
731	SUB BOARD, Assy	BU195-1643-2	210-565-000	92092147	1
732	SWITCH, Low Temp. Sensor	H73-750	234-444-000	92097187	1
733	HEATER, A/Frost Assy	U245-1620	235-310-000		1
734	HARNESS-3, Sensor SW	U245-603-3	290-0572000		1

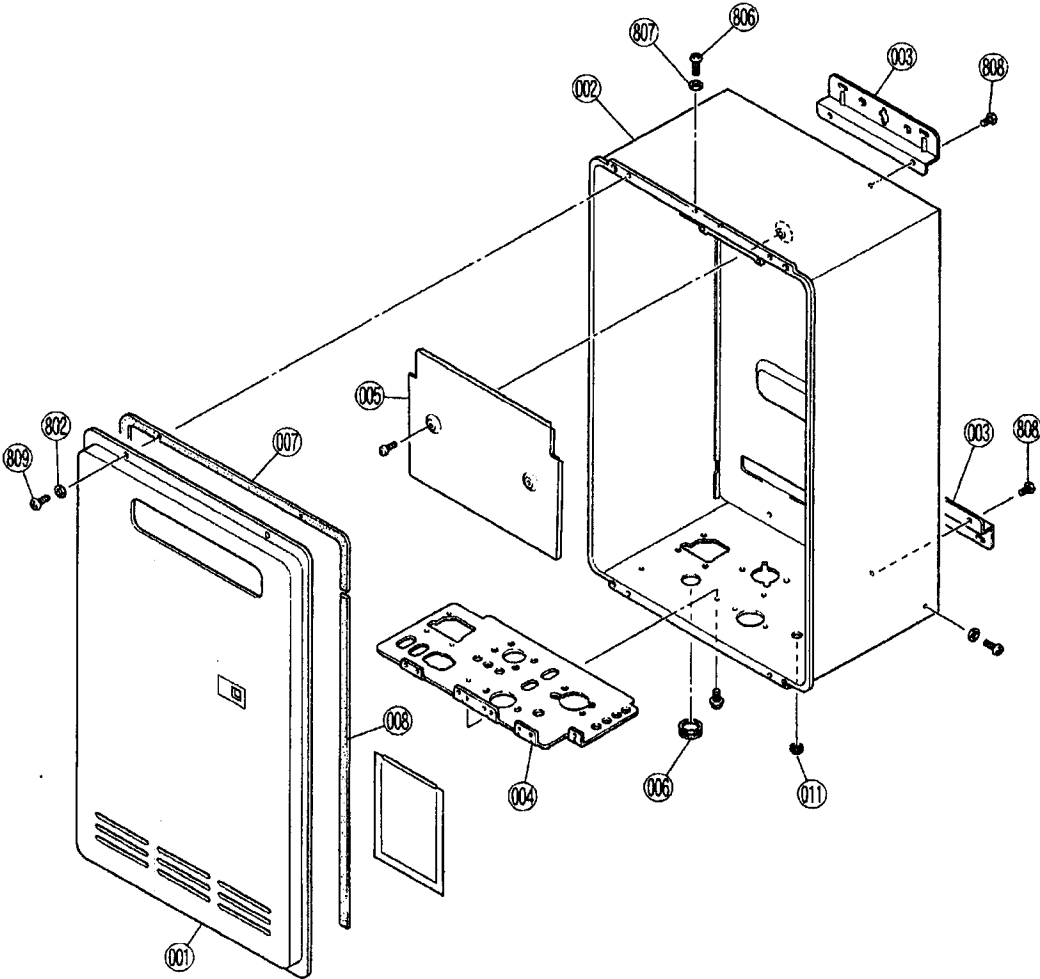
REU-V2632WC

Effective Date: 30/08/2006

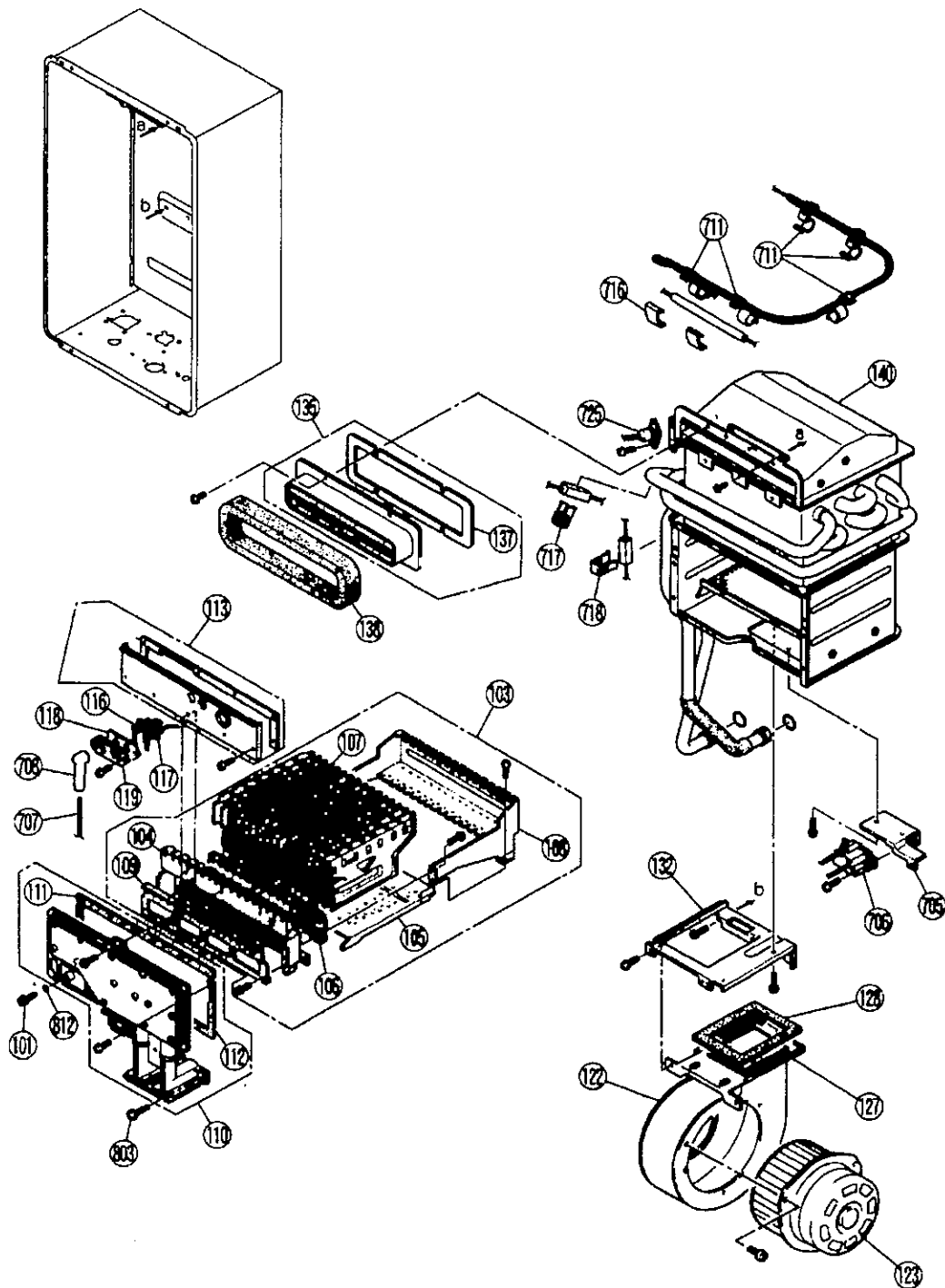
Supersedes: Jan. 2004

No.	PART NAME	RJ PART CODE	11 DIGIT CODE	RA PART NUMBER	QTY
802	WASHER	AU33-184	503-022-010		3
803	SCREW	CP-21478-412	501-400-000		3
804	SCREW, Thermistor	U217-449	501-295-000		1
805	Screw Small Pan	ZAA0408UK	501-262-000		3
806	SCREW	ZBD0508UK	501-802-000		2
807	SCREW	AU48-174	503-026-000		2
808	SCREW	ZBA0510UK	501-397-000		4
809	SCREW	ZAD0408UK	501-542-010		3
809	O-RING	ZHDC0408TK	501-850-000		1
810	O-RING	M10B-2-4	520-209-010	92062249	2
812	O-RING	M10B-13-4	520-300-010	90195165	3
813	O-RING	M10B-2-18	520-049-010	92071182	2
814	O-RING	M10B-2-16	520-048-010	92062199	2
815	O-RING	M10B-2-14	520-193-010	92062207	2
816	O-RING	M10B-2-7	520-281-010	92062348	1
817	O-RING	M10B-1-24	520-043-010	92072859	1
818	WASHER	C36E1-6	580-180-000		2
888	CUSTOMER INSTRUCTION	U245-795	623-782-000		1
889	INSTALLATION INSTRUCTION	U245-1650	K23-820-600		1

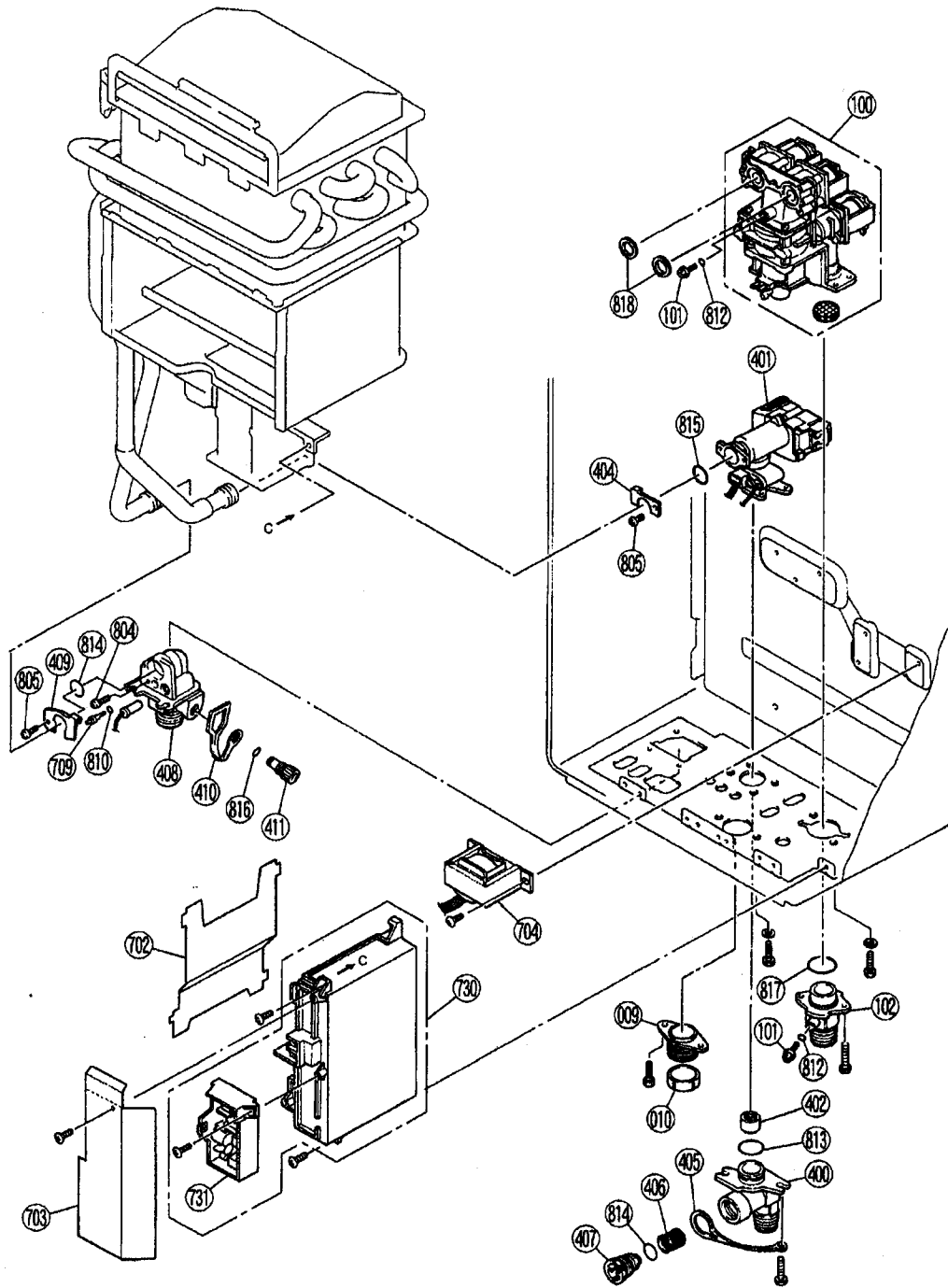
REU-V2626W & REU-V2632W_WC



REU-V2626W & REU-V2632W_WC



REU-V2626W & REU-V2632W_WC



REU-V2626W & REU-V2632W_WC

