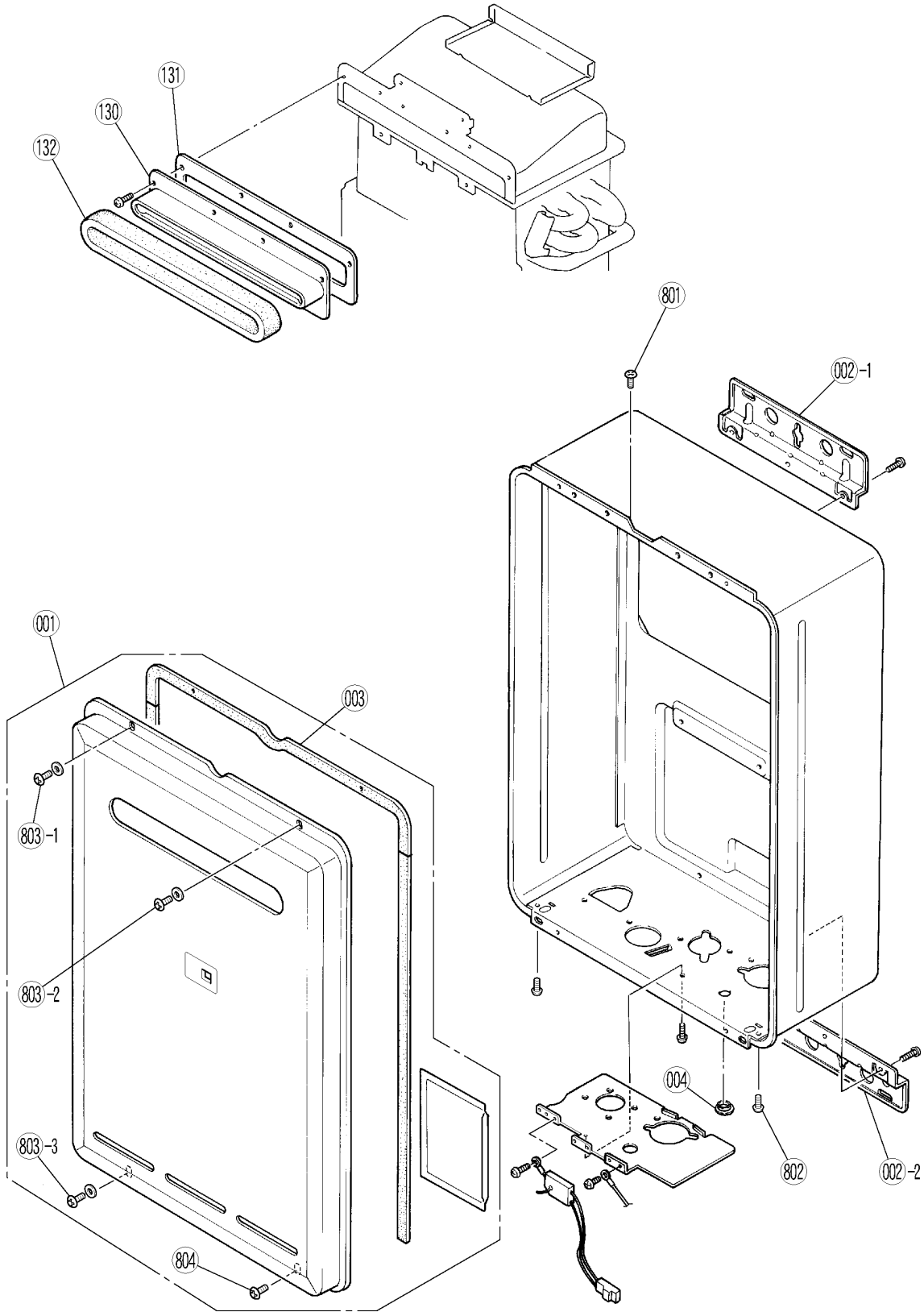
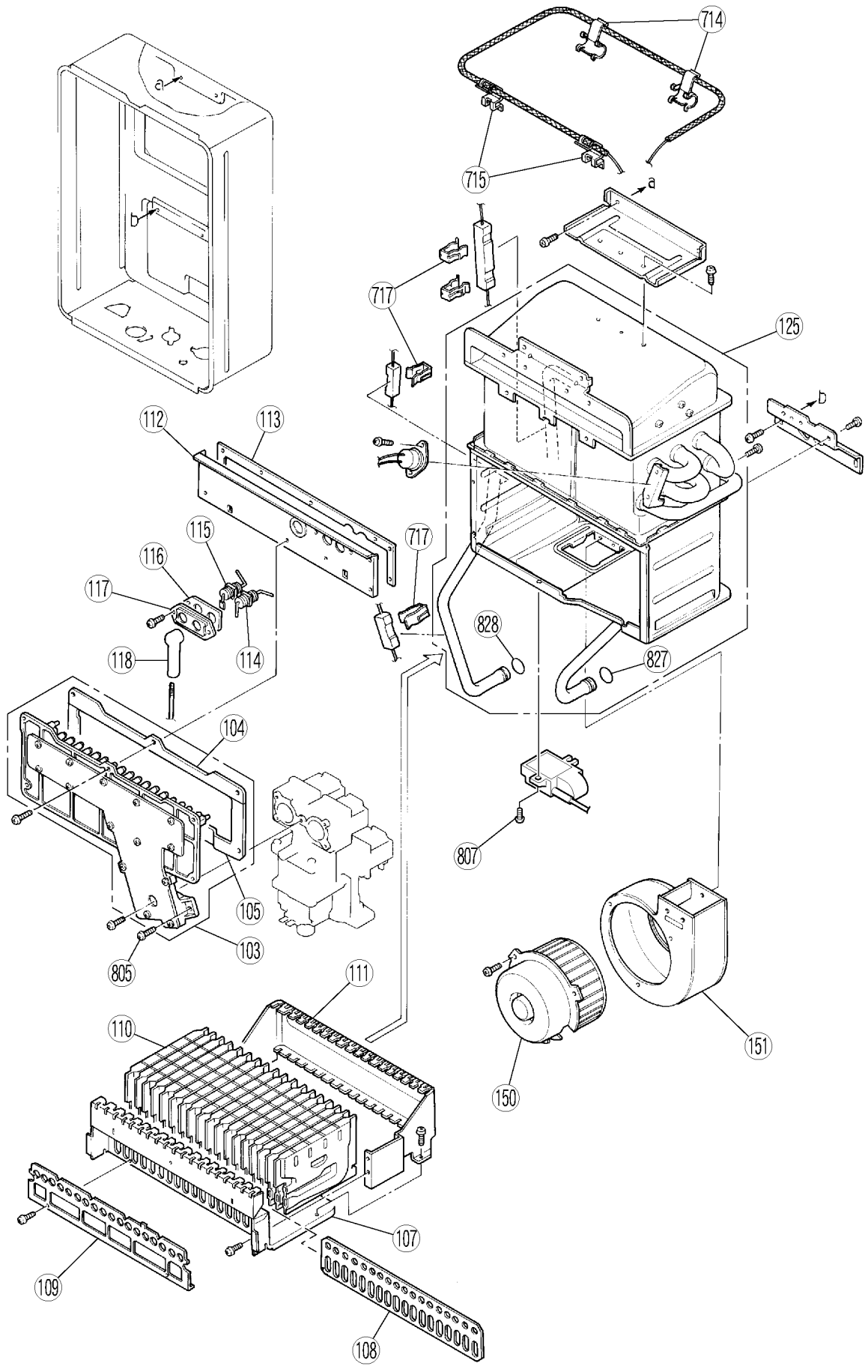
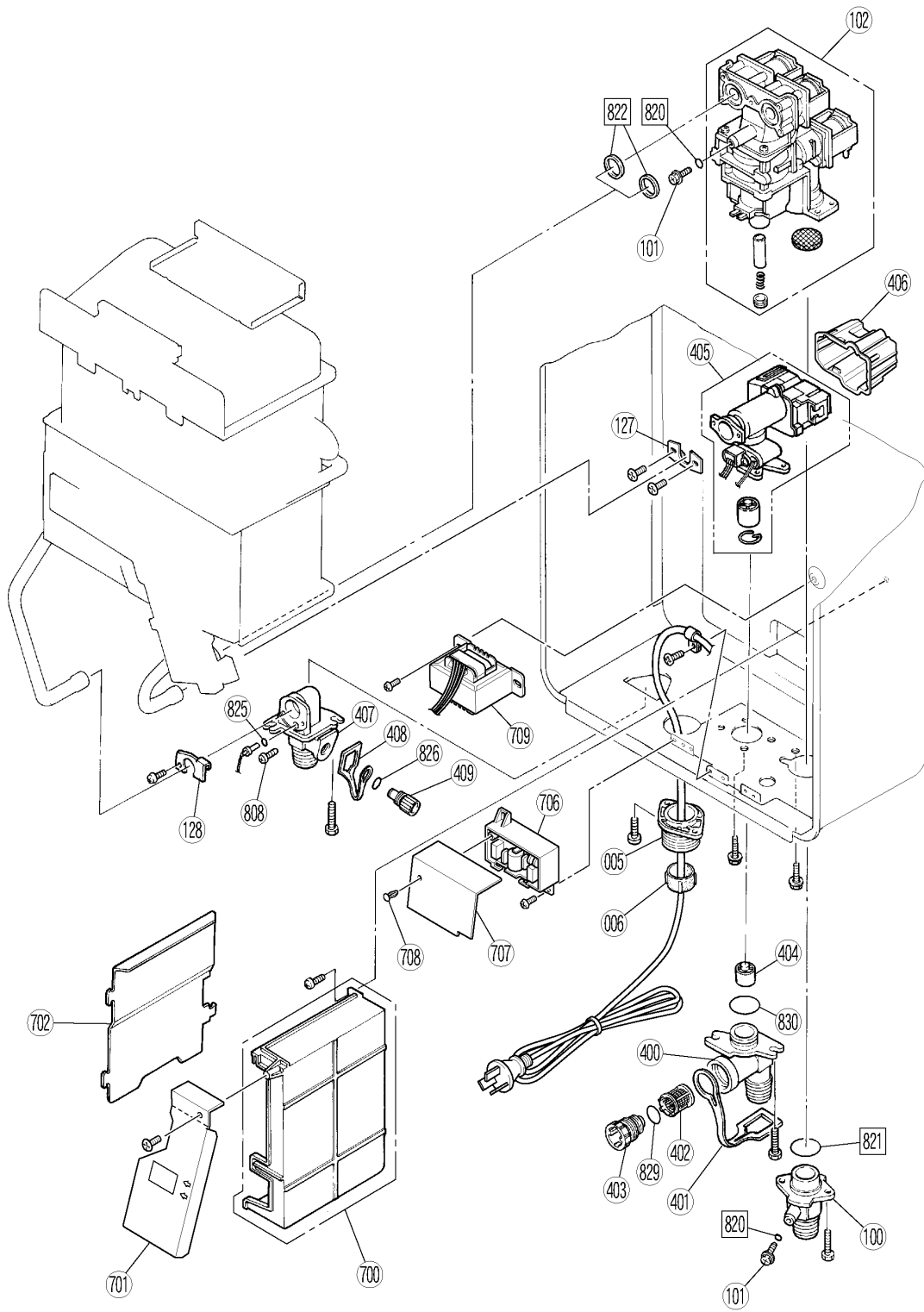
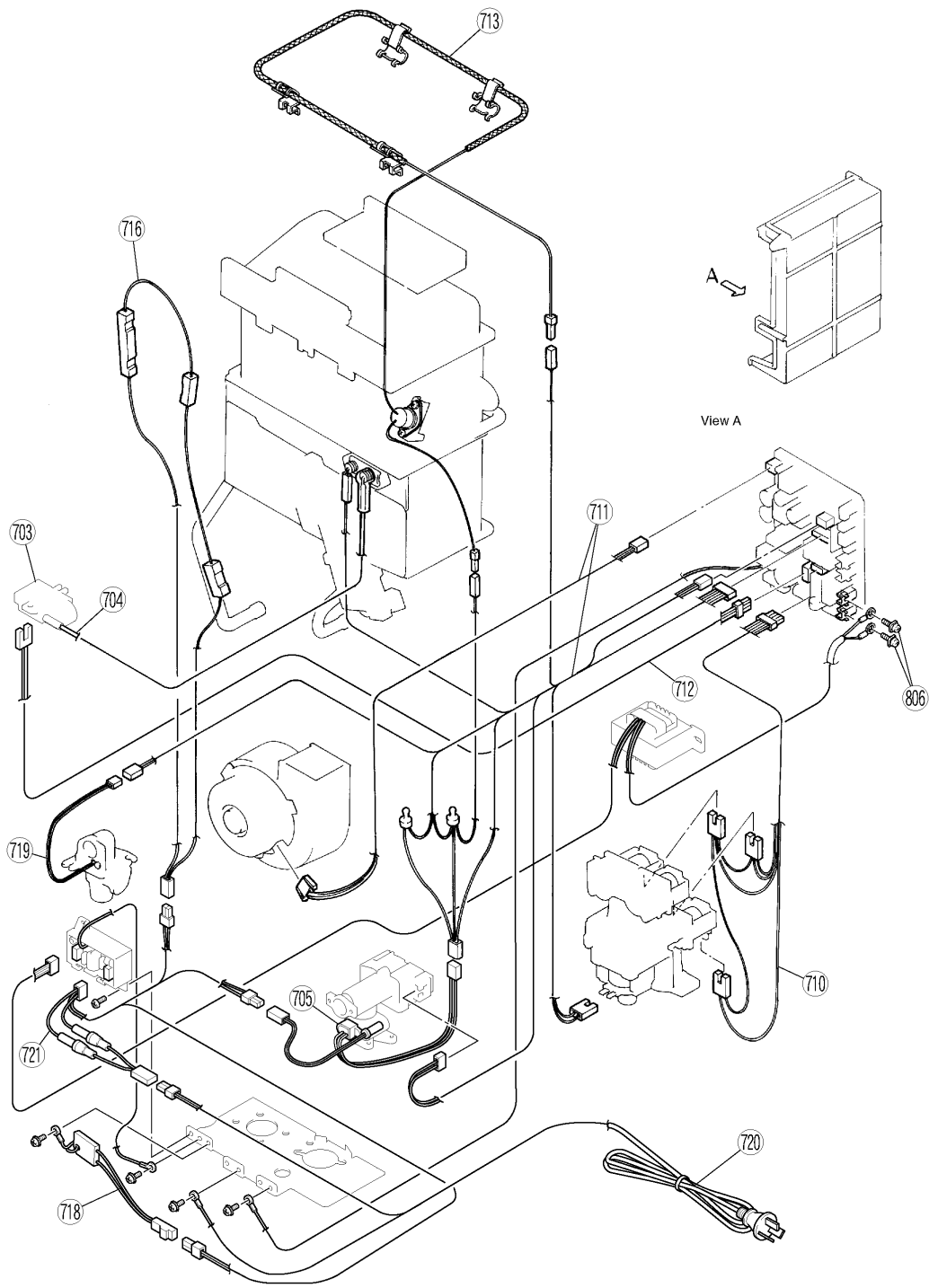


21. Exploded Diagram









22. Parts List

“REU-V1616W” on page 47

“REU-V1620W” on page 50

“REU-V2018W” on page 53

“REU-V2020W” on page 56

REU-V1620W

Effective Date: 24/05/2005
Supersedes:

No.	Part Name	RA Part No.	RJ Part No.	11 Digit Code	QTY
1	PANEL, Front w Assy		U250-121-10-A	019-2694000	
2	BRACKET, Wall Hang		BU195-121	106-329-000	
3	PANEL, Front w Packing		U250-165	580-0039000	
4	GASKET, Blind		AU105-113	510-893-000	
5	INF 20 CABLE, Entry	92073352	BU56-602-N	106-104-000	
6	GASKET, Seal Cable		U250-1560	580-0105000	
100	INLET GAS (3/4")	92081587	CU195-211	106-290-000	
101	SCREW, Test Point	90195157	C10D-5	501-275-005	
102	GAS CONTROL, Assy	92093608	C36E-45-S	120-162-000	
103	MANIFOLD LP, A	92093624	U250-200-A-AS	101-592-000	
103	MANIFOLD NG, B	92093632	U250-200-B-AS	101-593-000	
104	MANIFOLD PACKING UPPER		U250-208	580-0106000	
105	MANIFOLD PACKING LOWER		U250-209	580-0107000	
107	BURNER CASE FRONT PANEL-1		U250-311	098-0624000	
108	PACKING		U216-313	580-589-000	
109	DAMPER		U250-314	140-722-000	
110	BUNSEN Burner		B3A6-1X06	157-083-000	
111	PANEL, Rear Burner Case		U216-312	098-402-000	
112	COMBUSTION CHAMBER, Front		U216-306	019-715-000	
113	COMBUSTION CHAMBER, Packing		U216-307	580-591-000	
114	ELECTRODE REU3203	92086974	H73-120	202-156-000	
115	ELECTRODE FR	92093640	U250-295	230-057-000	
116	PACKING ELECTRODE RT	92086990	AH66-398-2	580-507-000	
117	ELECTRODE HOLDER RT	92087006	AH66-393	580-505-000	
118	ELECTRODE SLEEVE	92087030	AU206-218	518-035-000	
125	HEAT EXCHANGER ASSEMBLY	92093657	U250-910-S	314-538-000	
127	BRACKET		U222-703-2	538-615-000	
128	FIXING BRACKET A		AU195-321	537-502-000	
130	FLUE OUTLET		U216-405-2	055-787-000	
131	FLUE OUTLET PACKING		U216-406	580-593-000	
132	FRONT PANEL SEALING PACKING		BH29-486-H	580-594-000	
150	FAN COMBUSTION Assy	92093665	U250-555	222-512-000	
151	FAN CASING Assy		CU169-552	035-870-000	
400	CONNECTION, Water Inlet		H73-500	333-300-000	
401	PLUG BAND		U250-631	553-119-000	
402	FILTER WATER O Large	92083773	H73-511	017-268-000	

REU-V1620W

No.	Part Name	RA Part No.	RJ Part No.	11 Digit Code	QTY
403	FILTER PLUG (WITH O RING)		H73-510	196-031-000	
404	RECTIFIER		M8D1-15	330-107-000	
405	VALVE FLOW W/OUT HEATER	92085414	M8E-4-3-A	301-043-000	
406	WATER FLOW Servo Cover		U250-530	098-0781000	
407	WATER CONNECTOR, 1/2 HOT		U217-441	333-303-000	
408	PLUG BAND		AU129-526	553-043-000	
409	VALVE, Pressure Relief	92081751	BU129-520-C	337-048-000	
700	PCB, Main Assy	92094168	U250-1600-B	210-645-000	
701	EC COVER-Z		U250-1605-Z	098-0783000	
702	ELECTRIC UNIT COVER		U250-507X03	098-0627000	
703	SPARKER	92072776	EI-144	261-015-000	
704	LEAD, High Tension	92092253	BH38-710-240	203-828-000	
705	SENSOR, MR	92092279	M8D1-10-4	243-072-000	
706	SURGE PROTECTOR	92093699	U250-1602	210-605-000	
707	SURGE PROTECTOR COVER		U250-1625	098-0784000	
708	CLIP		CP-90200	504-058-000	
709	TRANSFORMER, V1616	92093616	ET-293	224-332-000	
710	MAGNET VALVE HARNESS		U250-604	290-0488000	
711	SENSOR HARNESS		U250-603-2	290-0643000	
712	SPARKER HARNESS		U250-1610	290-0644000	
713	THERMAL FUSE ASSEMBLY-16		U250-610	290-0491000	
714	TEMPERATURE FUSE FIXING		U217-676	537-505-000	
715	TEMPERATURE FUSE FIXING P		U250-670	537-0110000	
719	THERMISTOR	92073675	BH45-650	233-108-000	
720	ELECTRIC CORD	92089051	CP-90491T	206-226-000	
721	FUSE HARNESS		U250-1612	290-0645000	
801	SCREW		CP-30583	501-865-000	
802	SCREW		ZFDB0408UK	501-827-000	
803	TRUSS		CP-30580-JW	501-856-000	
804	SCREW		CP-30586	501-889-000	
805	SCREW, Cup		CP-21478-412	501-400-000	
806	SCREW, Power Terminal		U217-510	501-296-000	
807	SCREW, Tapping		CP-80452	501-737-000	
808	THERMISTOR STOP SCREW		U217-449	501-295-000	
820	O-RING (S-4)	90195165	M10B-13-4	520-300-010	
821	O RING GAS CON 2010	92062272	M10B-1-24	520-043-010	

Effective Date: 24/05/2005
 Supercedes:

REU-V1620W

No.	Part Name	RA Part No.	RJ Part No.	11 Digit Code	QTY
821	O RING GAS INLET INF16	92072859	M10B-1-24	520-043-010	
822	GASKET	92096502	C36E1-6	580-180-000	
825	O RING WATER 4MM EBF130	92043231	M10B-2-4	520-209-010	
825	THERMISTOR O RING 2010	92062249	M10B-2-4	520-209-010	
826	O RING RELIEF VALVE 2010	92062348	M10B-2-7	520-281-010	
827	PRESSURE RELIEF PLASTIC	92071422	M10B-2-12.5	520-255-010	
827	HEAT EX O RING INF16	92072800	M10B-2-12.5	520-255-010	
828	O RING HEAT EX OUTLET	92062207	M10B-2-14	520-193-010	
829	O RING HEAT EX INLET 2010	92062199	M10B-2-16	520-048-010	
830	WATER INLET/OUTLET O RING	92071182	M10B-2-18	520-049-010	
830	WATER INLET O RING INF16	92072818	M10B-2-18	520-049-010	
888	INSTRUCTION MANUAL		U225-1220	623-909-600	
889	INSTALLATION MANUAL		U211-1350	K23-909-600	