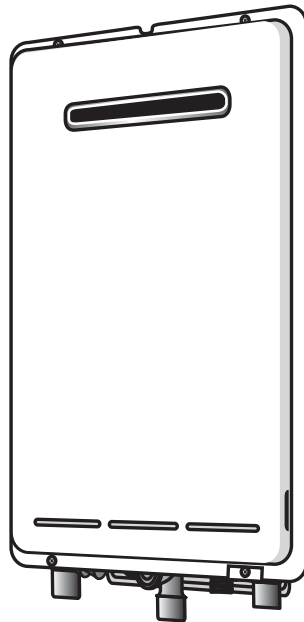


# Rinnai

---

## REU-K2430WG-AK REU-K2430WG(50)-AK External

### SPARE PARTS MANUAL



Rinnai High Capacity Continuous Flow Gas Hot Water System

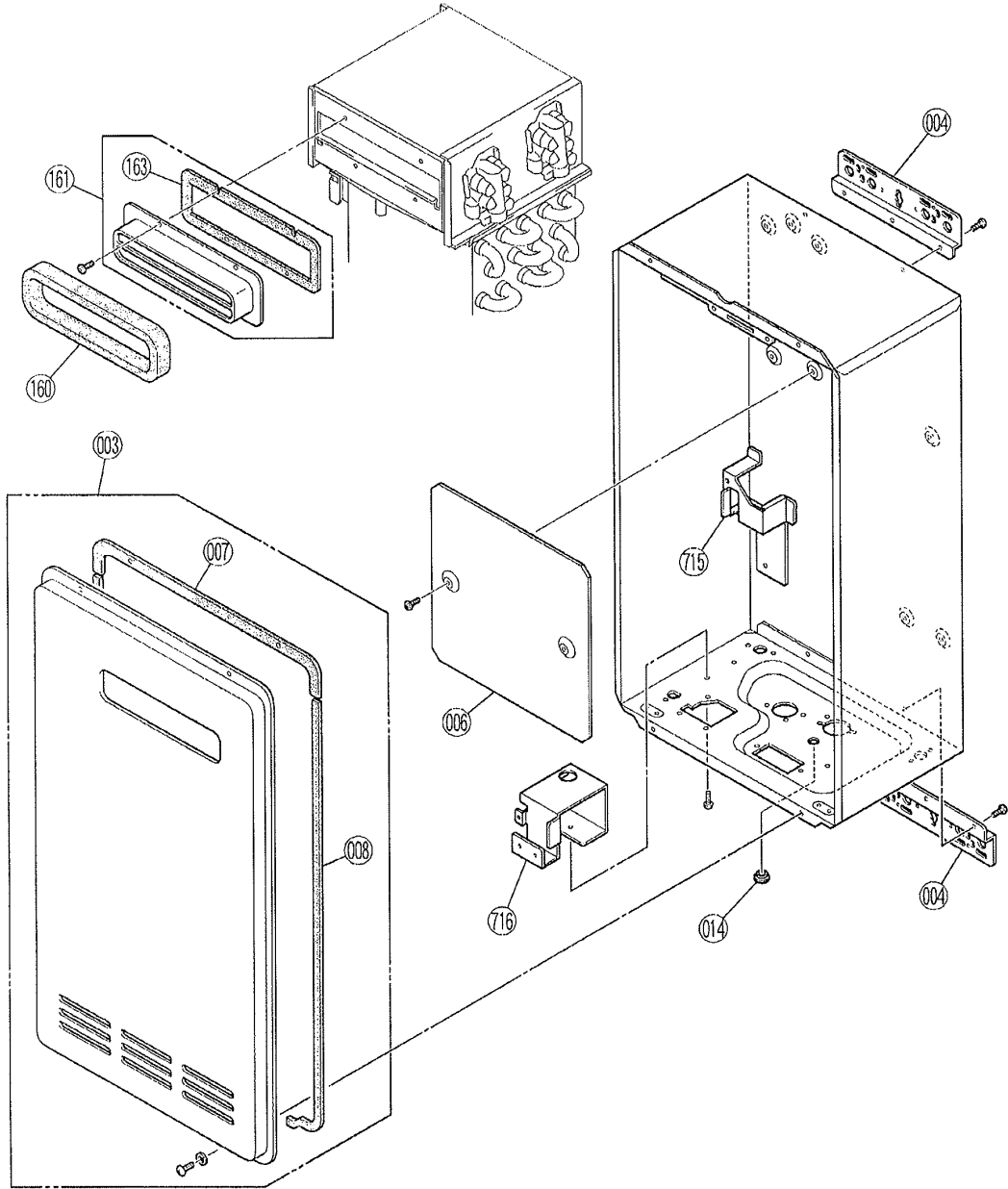
Effective: 3/05/07  
Supersedes: N/A  
Issue No. 1

<b>REU-K2430WG-AK / REU-K2430WG(50)-AK</b>				<b>REU-K2430WG</b>	<b>REU-K2430WG(50)</b>
<b>NO.</b>	<b>PART NAME</b>	<b>RA Part Number</b>	<b>11 DIGIT CODE</b>	<b>QTY</b>	<b>QTY</b>
001	CASE, Outer			1	1
003	PANEL FRONT 0 (EW)	92098713	019-3746000	1	
003	PANEL, Front Assy		019-3747000		1
003	PANEL, Front Assy		019-3748000		
004	BRKT WALL K2430WG	92093479	106-292-000	2	2
006	PLATE, Protection Heat		030-0118000	1	1
007	SEAL PANEL FRONT TOP	92086909	580-453-000	1	1
008	SEAL PANEL FRONT SIDE	92063361	510-990-000	2	2
009	HARNESS EASY CONN	92099986	106-641-000	1	1
010	Connecting Cover		538-840-000	1	1
011	SEAL HARNESS EASY CONN	92099984	580-0105000	1	1
014	Blind Gasket		510-893-000	1	1
100	INLET GAS 3/4	92081587	106-290-000	1	1
101	GAS CONTROL	92096921	114-504-000	1	1
102	MANIFOLD, Assembly - LPG	92092191	101-723-000	1	1
102	MANIFOLD, Assembly - NG	92092293	101-724-000	1	1
103	Combustion Chamber Gasket		580-547-000	1	1
104	Combustion Chamber Gasket Lower		580-0130000	1	1
105	Lean and Rich Bunsen Burner Assembly		157-090-000	16	16
106	Gas Connecting Tube Assembly		109-614-000	1	1
107	Damper		140-736-E00	1	1
108	U Burner Case Front Panel		098-902-000	1	1
109	Packing		580-440-000	1	1
110	Burner Case Bottom Panel		005-186-000	1	1
111	U Burner Case Back Panel		098-904-000	1	1
112	Combustion Chamber Front		019-2142000	1	1
113	Combustion Chamber Gasket		580-0131000	1	1
114	ELECTRODE FR	92093640	230-057-000	1	1
115	ELECTRODE	92086974	202-156-000	1	1
116	PACKING ELECTRODE RH	92086990	580-507-000	1	1
117	ELECTRODE HOLDER RH	92087006	580-505-000	1	1
118	Gas Connecting Tube Joint		197-991-000	1	1
134	O RING GAS CON	92072859	520-043-010	1	1
135	Packing		580-157-000	1	1
136	O RING B GAS	92067040	520-308-010	2	2
138	O RING (S4) TEST POINT	90195165	520-300-010	2	2
139	SCREW TEST POINT	92099956	501-275-005	2	2
140	FAN CASING	92098862	035-867-000	1	1

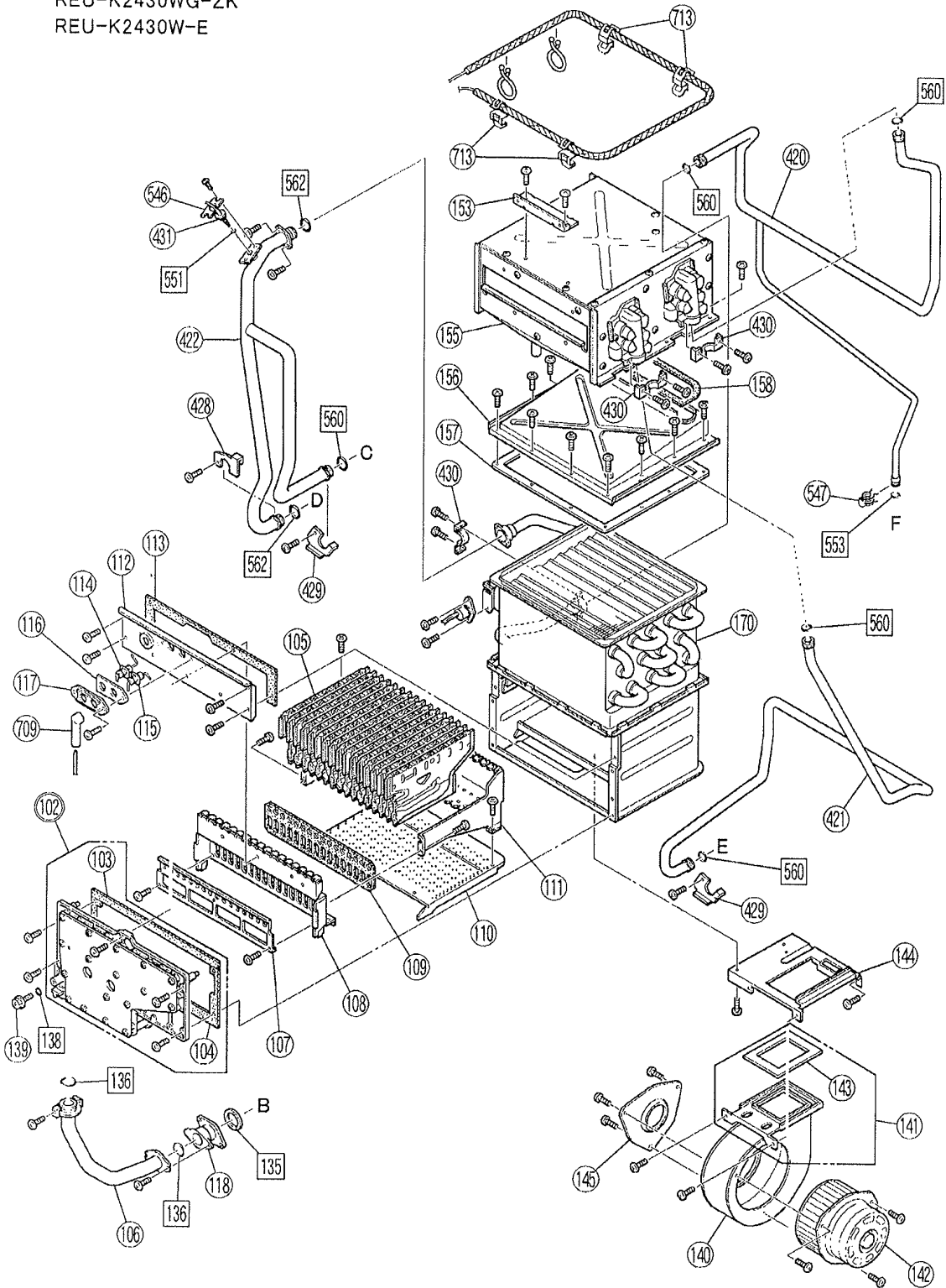
REU-K2430WG-AK / REU-K2430WG(50)-AK				REU-K2430WG	REU-K2430WG(50)
NO.	PART NAME	RA Part Number	11 DIGIT CODE	QTY	QTY
141	CONNECTING COMB FAN	92098870	106-320-000	1	1
142	ASSY, Fan Assembly		222-540-000	1	1
143	PACKING FAN CONECTING	92098888	580-338-000	1	1
144	Combustion Chamber Support Panel		537-0190000	1	1
145	φ42 Bell Mouth		036-201-000	1	1
153	Duct Bracket		538-755-000	1	1
155	HEAT EXCH TOP	92092211	314-620-000	1	1
156	INTERCHANGE	92092312	537-0328000	1	1
157	SEAL HEAT EXCH BTM	92092415	580-0221000	2	2
158	SEAL HEAT EXCH TOP	92092417	580-0222000	1	1
160	GASKET OUTER FLUE	92096554	580-722-000	1	1
161	EXHAUST FLUE	92098977	055-895-000	1	1
163	EXHAUST Opening Gasket		580-0362000	1	1
170	HEAT EXCH BTM	92092209	314-682-000	1	1
400	INLET WATER 3/4	92099968	333-301-NPB	1	1
401	FILTER WATER 0 LARGE	92083773	196-062-000	1	1
405	RECTIFIER WATER	92093552	330-107-000	1	1
407	WATER FLOW SENSOR	92087064	301-163-000	1	1
408	BYPASS SERVO ASSY	92092223	301-143-000	1	1
410	OUTLET WATER 3/4	92093806	333-386-000	1	1
411	Water Flow Servo Cover		098-1445000	1	1
416	VALVE PRESS RELIEF	92081751	337-048-000	1	1
420	Heat Exchanger Connecting Tube Assembly		332-0006000	1	1
421	Water Connecting Tube Assembly		332-0007000	1	1
422	Hot water Connecting Tube Assembly		332-0008000	1	1
423	Over Flow Connector		333-150-000	1	1
428	Stopper		538-515-000	1	1
429	Stopper		512-401-000	2	2
430	Pipe Fixing Bracket		538-791-000	3	3
431	THERMISTOR 1	92095030	233-246-000	2	2
432	Screw		501-295-000	1	1
434	INLET DRAIN VALVE	92097138	333-380-000	1	1
436	VALVE DRAIN	92097120	337-034-000	1	1
521	Drain Tube		513-0019000	1	1
524	Pin Band (15.5)		553-129-000	1	1
525	Pin Band (17.5)		553-131-000	1	1
546	BRKT FLAME ROD	92086388	508-836-000	1	1

REU-K2430WG-AK / REU-K2430WG(50)-AK				REU-K2430WG	REU-K2430WG(50)
NO.	PART NAME	RA Part Number	11 DIGIT CODE	QTY	QTY
547	Quick Fastener 6-13		512-550-000	1	1
551	O ring P4 EPDM	92062249	520-209-010	2	2
552	O ring P5 EPDM	92071455	520-194-010	1	1
553	O ring P6 EPDM	92043223	520-074-010	1	1
560	O ring P14 EPDM	92062207	520-193-010	5	5
561	O ring P18 EPDM	92071182	520-049-010	2	2
562	O ring P16 EPDM	92062199	520-048-010	3	3
563	O ring P7 EPDM	92062348	520-281-010	1	1
700	ELEC CORD	92089051	206-226-000	1	1
701	Ignitor Fixing Plate		538-0476000	1	1
703	IGNITOR		098-2153000	1	1
704	SPARKER	92095026	261-157-000	1	1
705	LEAD HT	92092355	203-833-000	1	1
706	SENSOR MR	92099988	243-133-000	1	1
707	SCREW, Earth Tapping		501-737-000	1	1
709	SLEEVE ELECTRODE	92087030	518-035-000	1	1
710	Electrode Sleeve		200-0525000	1	
710	PCB		200-0526000		1
711	PCB MAIN	92097149	098-0627000	1	1
712	EC Cover A		098-2154000	1	1
712	EC Cover Z		098-2155000		
713	Thermal Fuse Bracket		537-0110000	4	4
714	SURGE ARRESTOR	92093699	210-605-000	1	1
715	Unit Bracket		538-0477000	1	1
716	Sub Circuit Board Bracket		538-0478000	1	1
721	HARNESS SENSOR	92099861	290-1512000	1	1
722	Gas Control Harness		290-1513000	1	1
723	HARNESS FUSE	92098863	290-1514000	1	1
723	Fuse Harness-2		290-1515000		
725	HARNESS REMOTE CONTROL	92099961	290-1288000	1	1
726	HARNESS WATER VALVE	92093502	290-1516000	1	1
727	FUSE THERMAL	92091317	232-190-000	1	1
728	HARNESS SPARKER	92096041	209-435-000	1	1
730	HEATER WATER FLOW	92092262	235-369-000	2	2
731	HARNESS TEMP SENSOR	92099002	235-379-000	1	1
732	HEATER A-FROST A	92091845	235-383-000	1	1
735	HEATER A-FROST B	92091947	235-381-000	1	1
736	SWITCH THERMAL	92097187	234-444-000	1	1
737	Anti Frost Heater Clip		537-155-000	3	3

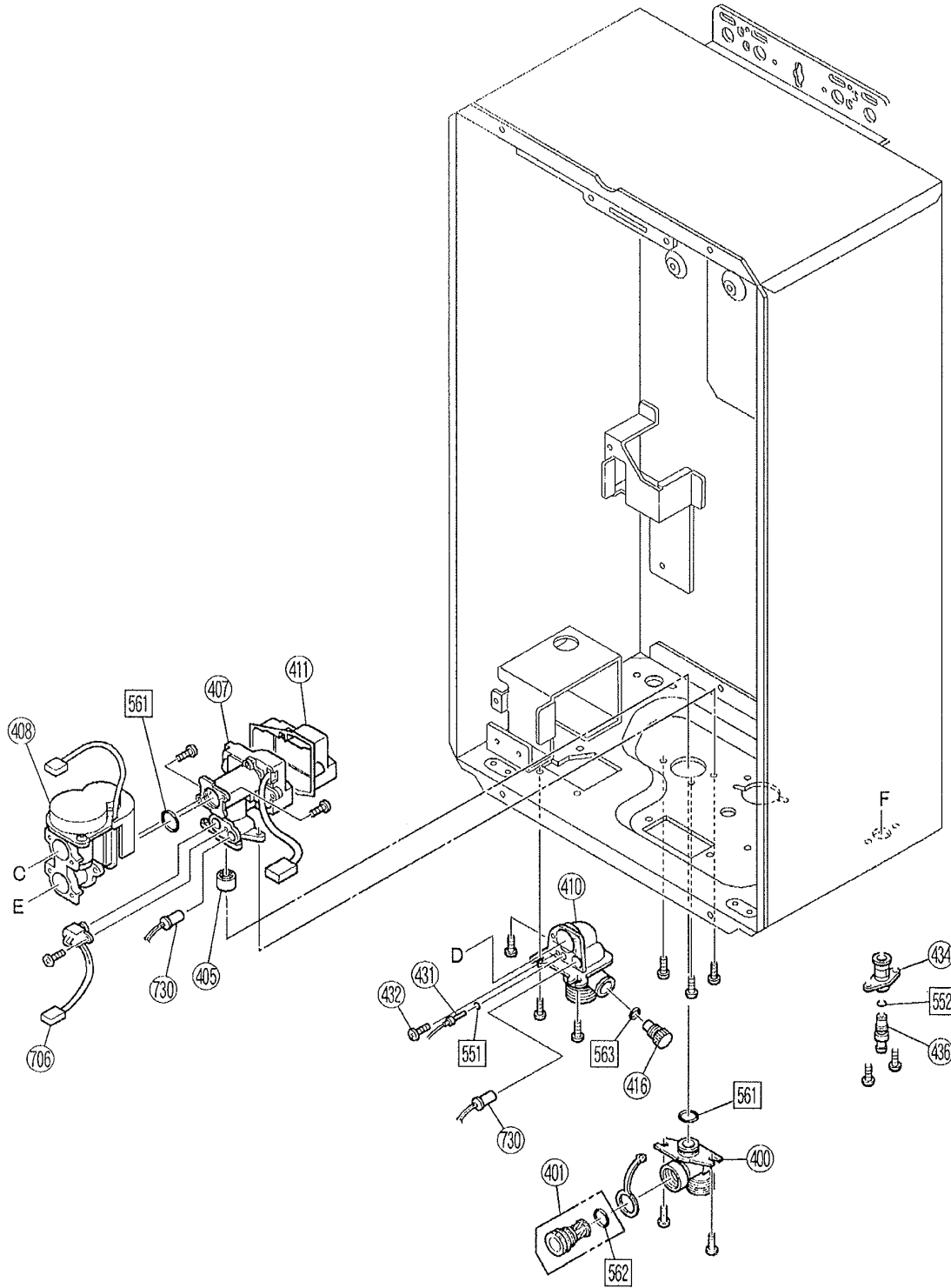
REU-K2430WG-AK  
REU-K2430WG-ZK  
REU-K2430W-E



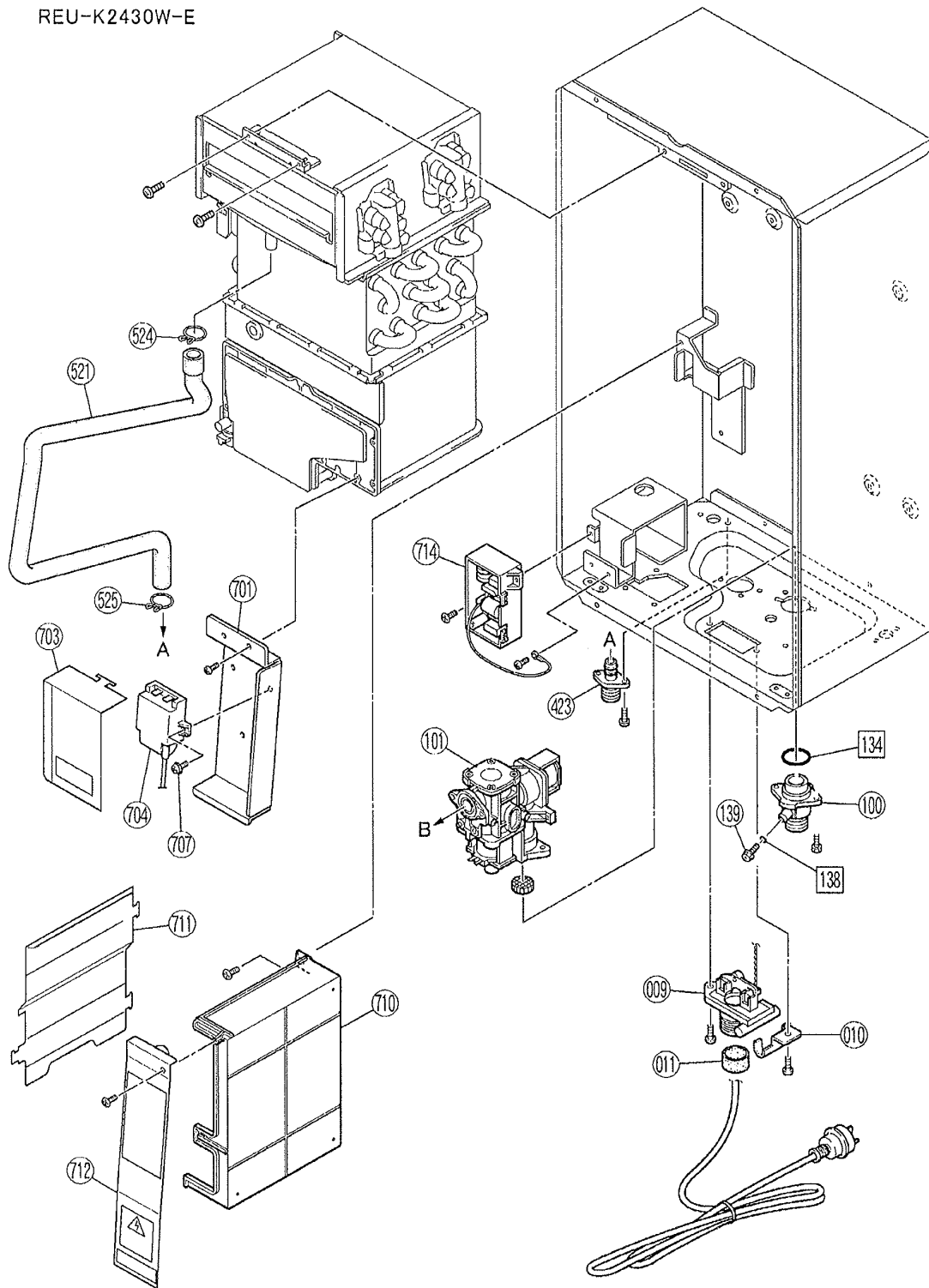
REU-K2430WG-AK  
 REU-K2430WG-ZK  
 REU-K2430W-E



REU-K2430WG-AK  
REU-K2430WG-ZK  
REU-K2430W-E



REU-K2430WG-ZK  
REU-K2430W-E





REU-K2430WG-AK  
REU-K2430WG-ZK  
REU-K2430W-E

