

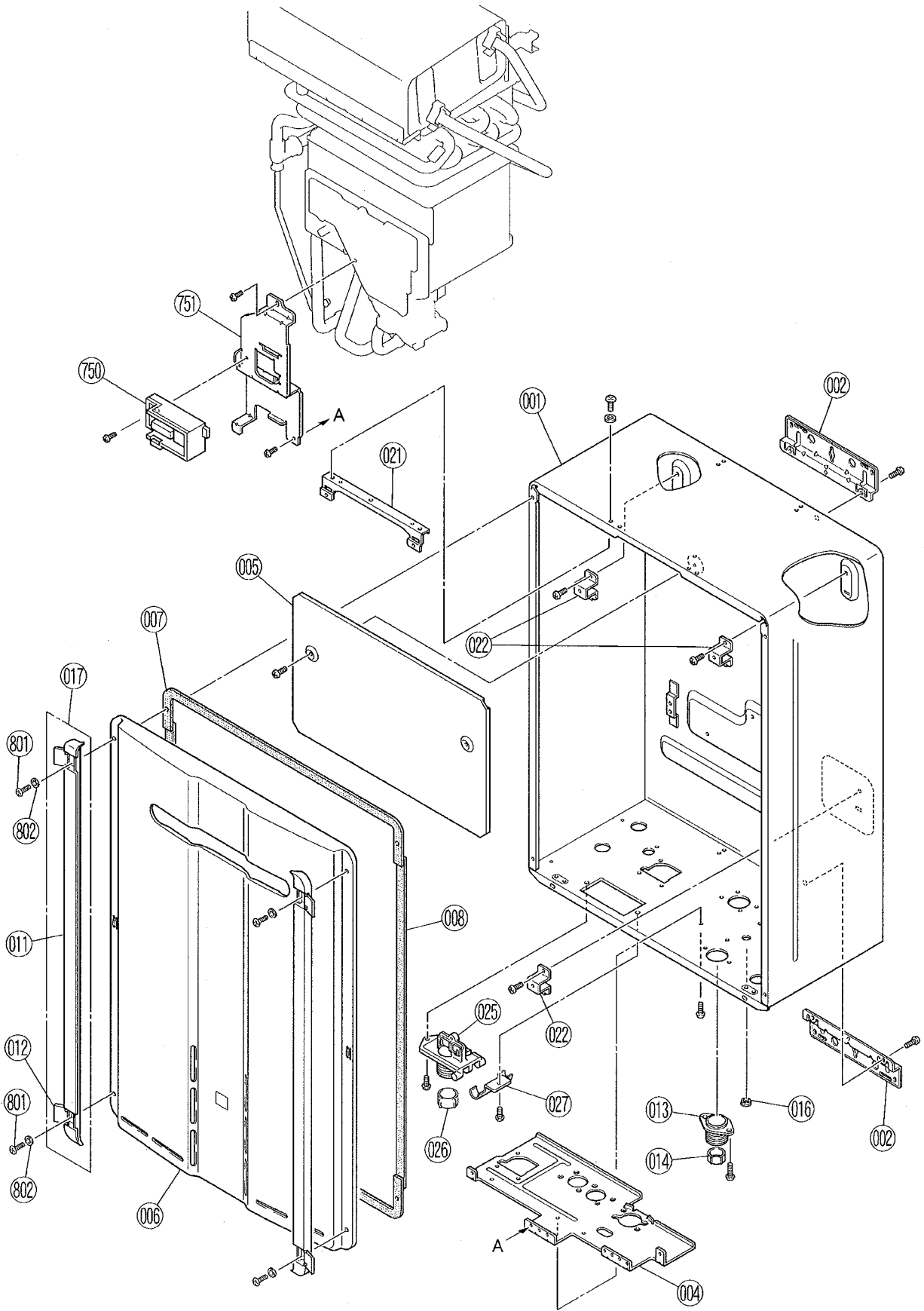
| INFINITY ENVIRO 26 (REU-KM2635WD/C-AK) | | | 23-0393 | |
|---|--|-------------|------------------|-------------------|
| NO | PART NAME | RA PART NO. | RJ 11 DIGIT CODE | QUANTITY REQUIRED |
| 001 | OUTER CASE (DOES NOT INCLUDE SCREWS) | 92098935 | 014-497-000 | 1 |
| 002 | BRKT WALL | 92093377 | 106-329-000 | 2 |
| 004 | Connection Reinforcement Panel | | 044-182-000 | 1 |
| 005 | Heat Protection Plate | | 030-941-000 | 1 |
| 006 | PANEL FRONT | 92098923 | 019-4319000 | 1 |
| 007 | Gasket - Top and Bottom | | 580-0632000 | 2 |
| 008 | Gasket-Side | | 580-0633000 | 2 |
| 011 | Screw Cover | | 098-2927000 | 2 |
| 012 | Screw Cover Rid | | 035-1795000 | 4 |
| 013 | INF20 CABLE ENTRY (NEW) | 92073352 | 106-104-000 | 1 |
| 014 | SEAL HARNESS EASY CONN | 92099984 | 580-0105000 | 1 |
| 016 | Packing | | 510-893-000 | 1 |
| 017 | BRACET PANEL FRONT | 92098929 | 019-4197000 | 2 |
| 021 | Reinforcement Bracket | | 044-183-000 | 1 |
| 022 | Attachment Bracket | | 517-499-000 | 3 |
| 023 | Reinforcement Bracket | | 044-151-000 | 1 |
| 025 | HARNESS EASY CONN | 92099986 | 106-641-000 | 1 |
| 026 | SEAL HARNESS EASY CONN | 92099984 | 580-0105000 | 1 |
| 027 | CLIP SUPPORT | 92095896 | 538-840-000 | 1 |
| 100 | GAS CONTROL | 92086736 | 120-0016000 | 1 |
| 101 | SCREW TEST POINT | 92099956 | 501-275-005 | 2 |
| 102 | INLET GAS 3/4 | 92081587 | 106-290-000 | 1 |
| 103 | BURNER ASSY LPG | 92098939 | 000-186-000 | 1 |
| 103 | BURNER ASSY NG | 92098937 | 000-187-000 | 1 |
| 104 | Burner Case Front Panel | | 098-902-000 | 1 |
| 105 | Burner Case Bottom Panel | | 004-927-000 | 1 |
| 106 | Packing | | 580-440-000 | 1 |
| 107 | Burner Low Nox Bunsen Assy | | 157-090-000 | 16 |
| 108 | Burner Case Rear Panel | | 098-2963000 | 1 |
| 109 | DAMPER LP | 92099906 | 140-597-000 | 1 |
| 109 | DAMPER NG | 92099908 | 140-736-E00 | 1 |
| 110 | MANIFOLD NG | 92098913 | 101-770-000 | 1 |
| 110 | MANIFOLD LP | 92098911 | 101-771-000 | 1 |
| 111 | Combustion Chamber Packing Upper | | 580-547-000 | 1 |
| 112 | Combustion Chamber Packing Lower | | 580-0653000 | 1 |
| 114 | Combustion Chamber Front Panel Assy | | 019-4273000 | 1 |
| 116 | ELECTRODE | 92086974 | 202-156-000 | 1 |
| 117 | FLAME ROD | 92098996 | 202-233-000 | 2 |
| 118 | GASKET ELECTRODE | 92098908 | 580-0635000 | 1 |
| 119 | Electrode Holder | | 580-0636000 | 1 |
| 120 | Combustion Chamber Packing | | 580-0654000 | 1 |

| INFINITY ENVIRO 26 (REU-KM2635WD/C-AK) | | | 23-0393 | |
|---|--------------------------|-------------|------------------|-------------------|
| NO | PART NAME | RA PART NO. | RJ 11 DIGIT CODE | QUANTITY REQUIRED |
| 125 | FAN COMB ASSY | 92098986 | 222-661-000 | 1 |
| 126 | Fan Casing Assembly | | 035-1884000 | 1 |
| 127 | CONNECTING COMB FAN | 92098870 | 106-320-000 | 1 |
| 128 | PACKING FAN CONECTING | 92098888 | 580-338-000 | 1 |
| 129 | Fan Motor Assembly | | 222-643-000 | 1 |
| 135 | EXHAUST FLUE | 92098915 | 055-995-000 | 1 |
| 137 | Flue Outlet Packing | | 580-0593000 | 1 |
| 138 | Seal Packing | | 580-835-000 | 1 |
| 143 | HEAT EXCHANGER | 92098928 | 314-803-000 | 1 |
| 160 | HEAT EXCHANGER SECONDARY | 92098926 | 314-805-000 | 1 |
| 166 | Reinforcement Bracket | | 537-0883000 | 1 |
| 400 | INLET WATER 3/4 | 92095901 | 333-483-000 | 1 |
| 401 | WATER FLOW SENSOR | 92098932 | 301-199-000 | 1 |
| 402 | RECTIFIER WATER | 92093552 | 330-107-000 | 1 |
| 403 | BYPASS SERVO ASSY | 92087072 | 301-158-000 | 1 |
| 404 | Stop Bracket | | 512-401-000 | 2 |
| 405 | Plug Band | | 553-119-000 | 1 |
| 408 | OUTLET WATER 3/4" NPT | 92098916 | 333-499-000 | 1 |
| 409 | Stop Bracket | | 512-406-000 | 1 |
| 410 | Plug Band (small) | | 553-065-000 | 1 |
| 411 | VALVE PRESS RELIEF | 92099944 | 337-152-000 | 1 |
| 412 | FILTER WATER 0 LARGE | 92083773 | 196-062-000 | 1 |
| 413 | Cover | | 098-2780000 | 1 |
| 421 | Drain Connection | | 333-493-000 | 1 |
| 422 | VALVE DRAIN | 92097120 | 337-034-000 | 1 |
| 423 | Clip | | 512-550-000 | 1 |
| 424 | Connecting Pipe | | 332-0214000 | 1 |
| 426 | Packing | | 580-0641000 | 1 |
| 431 | Connecting pipe-Inlet | | 332-0230000 | 1 |
| 432 | Connecting pipe-HEX | | 332-0215000 | 1 |
| 433 | CLIP HOSE/PIPE | 92092485 | 512-249-000 | 2 |
| 434 | Clip | | 512-552-000 | 1 |
| 440 | Condensate Trap | | 341-370-000 | 1 |
| 441 | Packing | | 580-0642000 | 2 |
| 442 | Condensate Trap Plug | 92092487 | 341-369-000 | 1 |
| 443 | Condensate Drain Tube | | 513-0051000 | 1 |
| 444 | Band | | 553-130-000 | 1 |
| 445 | Band | | 553-158-000 | 1 |
| 446 | Screw | | 501-0232000 | 2 |
| 447 | HARNESS CONDENSATE | 92098962 | 290-1795000 | 1 |
| 700 | PCB MAIN | 92098992 | 210-0046000 | 1 |

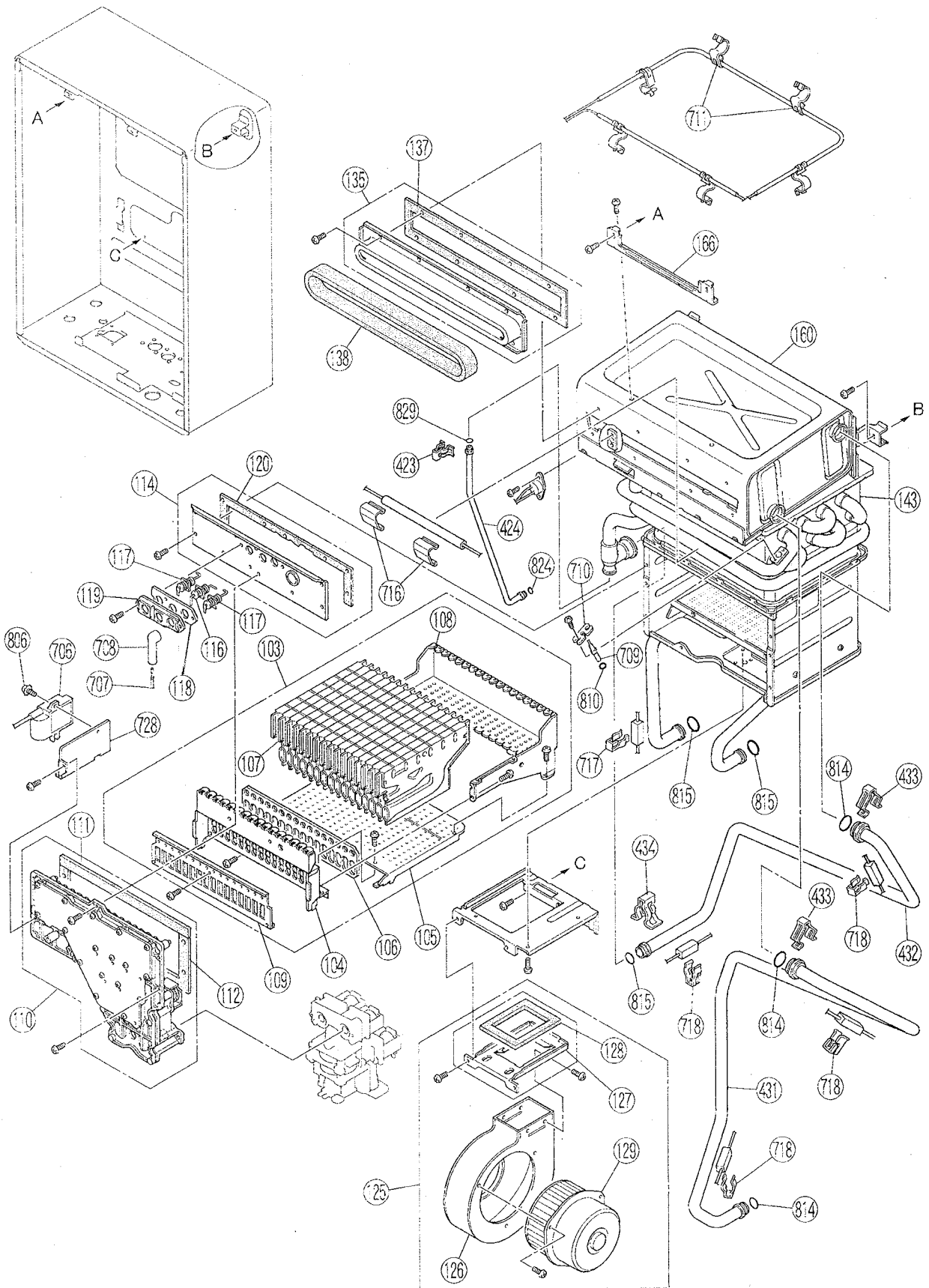
| INFINITY ENVIRO 26 (REU-KM2635WD/C-AK) | | | 23-0393 | |
|---|-----------------------------|-------------|------------------|-------------------|
| NO | PART NAME | RA PART NO. | RJ 11 DIGIT CODE | QUANTITY REQUIRED |
| 701 | SURGE ARRESTOR | 92093699 | 210-605-000 | 1 |
| 702 | PC Board Cover Side | | 098-2929000 | 1 |
| 703 | PC Board Cover Front | | 098-1869000 | 1 |
| 706 | SPARKER | 92095026 | 261-157-000 | 1 |
| 707 | LEAD HT | 92092355 | 203-833-000 | 1 |
| 708 | SLEEVE ELECTRODE | 92087030 | 518-035-000 | 1 |
| 709 | THERMISTOR | 92098982 | 233-249-000 | 1 |
| 710 | BRKT THERMISTOR | 92086388 | 508-836-000 | 1 |
| 711 | Thermistor Fuse Clip | | 553-055-000 | 6 |
| 712 | SWITCH THERMAL | 92097187 | 234-444-000 | 1 |
| 713 | HEATER A-FROST | 92098976 | 235-401-000 | 1 |
| 715 | HARNESS HEATER | 92098974 | 235-402-000 | 1 |
| 716 | BRKT HEATER | 92093301 | 538-493-000 | 2 |
| 717 | CLIP HEATER | 92076123 | 537-174-000 | 1 |
| 718 | BRKT HEATER B | 92096225 | 537-0440000 | 4 |
| 720 | ELEC CORD | 92089051 | 206-226-000 | 1 |
| 721 | HARNESS FUSE | 92098954 | 290-1930000 | 1 |
| 722 | HARNESS POWER | 92098952 | 290-1931000 | 1 |
| 724 | HARNESS PCB MAIN | 92098950 | 290-1932000 | 1 |
| 725 | FUSE THERMAL | 92098948 | 290-1933000 | 1 |
| 726 | HARNESS SPARKER | 92095039 | 290-1398000 | 1 |
| 727 | SENSOR MR | 92099988 | 243-133-000 | 1 |
| 728 | Ignitor Attachment Plate | | 538-0396000 | 1 |
| 729 | HARNESS REMOTE CONTROL | 92099961 | 290-1288000 | 1 |
| 730 | HARNESS TWIN THERMIST | 92099234 | 233-278-000 | 1 |
| 731 | Solenoid Connection Harness | | 290-1901000 | 1 |
| 733 | HARNESS SOLENOID | 92098956 | 290-1903000 | 1 |
| 744 | HARNESS HEATER | 92098980 | 235-380-000 | 1 |
| 750 | RELAY | 92095032 | 210-810-000 | 1 |
| 751 | Status Monitor Bracket | | 537-0881000 | 1 |
| 800 | Screw | | 501-577-000 | 8 |
| 801 | Screw | | 501-0234000 | 4 |
| 802 | Washer | | 503-210-000 | 4 |
| 803 | Screw | | 501-0235000 | 3 |
| 804 | Screw | | 501-295-000 | 1 |
| 805 | Screw | | 501-262-000 | 3 |
| 806 | Screw | | 501-737-000 | 1 |
| 807 | Washer | | 503-026-010 | 2 |
| 810 | O RING THERMISTOR | 92062249 | 520-209-010 | 2 |
| 812 | O RING (S4) TEST POINT | 90195165 | 520-300-010 | 1 |
| 813 | O RING IN/OUT WATER | 92071182 | 520-049-010 | 1 |

| INFINITY ENVIRO 26 (REU-KM2635WD/C-AK) | | | 23-0393 | |
|---|------------------|-------------|------------------|-------------------|
| NO | PART NAME | RA PART NO. | RJ 11 DIGIT CODE | QUANTITY REQUIRED |
| 814 | O RING HEAT EXCH | 92062199 | 520-048-010 | 3 |
| 815 | O RING HEAT EXCH | 92062207 | 520-193-010 | 4 |
| 816 | O RING | 92062348 | 520-281-010 | 1 |
| 817 | O RING CON | 92072859 | 520-043-010 | 1 |
| 818 | Packing | | 580-157-000 | 1 |
| 819 | Screw | | 501-395-000 | 2 |
| 820 | Screw | | 501-799-000 | 4 |
| 821 | Screw | | 511-119-000 | 2 |
| 822 | Screw | | 501-403-010 | 3 |
| 823 | O RING BYPASS | 92071455 | 520-194-010 | 1 |
| 824 | O RING WATER 6MM | 92043223 | 520-074-010 | 2 |

REU-KM2635WD



REU-KM2635WD



REU-KM2635WD

