

# BOSCH

## Installation & Owner's Guide

---

### HydroPower

External Models  
10H, 13H & 16H

---

**To be installed and serviced only  
by an authorised person**

**This appliance is not suitable for  
use as a pool heater**

The "authorised installing person"  
is responsible for:

1. Correct commissioning of this  
appliance.
2. Ensure unit performs to the  
specifications stated on the rating  
label.
3. Demonstrate operation of unit to  
customer before leaving.
4. Hand these instructions to  
customer.



This appliance must be installed in accordance with the manufacturer's installation instructions, AS 5601 (AG 601), NZ 5261, AS3500.4.2 and all Local Water, Building and Gas fitting regulations

**Failure to install this appliance in accordance with these installation instructions may void warranty**

**In the interest of continued product improvement, Bosch reserves the right to alter these specifications without notice**

**Customer Contact Centre  
1300 30 70 37**

**www.bosch.com.au**

---

## Table of Contents

<p style="text-align: center;"><b>HOUSEHOLDER:</b> <b>WE RECOMMEND THAT YOU READ PAGES 2-7</b> The other pages are intended for the installer but may be of interest</p>
--

<b>TABLE OF CONTENTS</b>	<b>2</b>
<b>CONGRATULATIONS</b>	<b>3</b>
<b>THE BOSCH STORY</b>	<b>3</b>
<b>PRODUCT OVERVIEW</b>	<b>3</b>
<b>PRODUCT DIAGRAM</b>	<b>4</b>
<b>OPERATING INSTRUCTIONS</b>	<b>5</b>
<b>TROUBLE SHOOTING</b>	<b>7</b>
<b>CARE AND SERVICING OF THE UNIT</b>	<b>7</b>
<b>10 BASIC STEPS FOR INSTALLATION</b>	<b>8</b>
<b>REGULATIONS</b>	<b>10</b>
<b>OVERVIEW OF WARRANTY CONDITIONS</b>	<b>11</b>
<b>WARRANTY</b>	<b>11</b>

---

## Congratulations

Congratulations for choosing a Bosch HydroPower water heater. This appliance should give many years of trouble free use, when installed to the specifications contained in this document.

---

## The Bosch Story

**Bosch Thermotechnology has been delivering hot water to Australia and New Zealand families for nearly 50 years, and forms part of the worldwide Thermotechnology division of Robert Bosch. With global sales of 1.4 million water heaters every**

**year, Bosch provide hot water solutions for every water heating need.**

Bosch pioneered continuous flow water heating in the late 1800's, and this tradition of innovation and invention still drives our company today.

Extensive research and development ensures that Bosch remains at the forefront of water heating technology. With an extensive product range, Bosch strives to deliver products designed to fit the lifestyle of today's modern families.

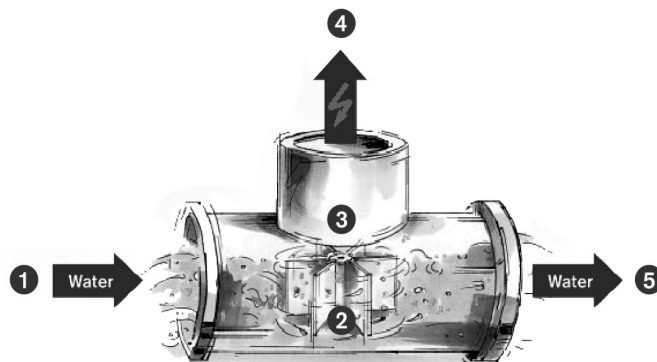
---

## Product Overview

HydroPower Ignition is exclusive to Bosch.

HydroPower uses the energy created by water flow to ignite the burner and begin the heating process. The unit only starts when a hot water tap is opened. Once hot water is no longer needed, the unit turns itself off.

1. Water enters the Hydro Dynamic Generator
2. The turbine spins with water flow
3. A spark is generated by the turbine
4. The spark ignites the main burner
5. The water continues on to the heat exchanger and is heated



### External HydroPower

External HydroPower models are perfect for a constant, reliable supply of hot water. The HydroPower ignition provides endless hot water at the flick of a tap, without the need of power point.

### Versatile

- LPG models are particularly popular in country areas, where reticulated gas is not available and there is no external power point.
- They are able to operate in relatively low water pressure areas and in low temperature regions of Australia and New Zealand using Bosch accessories.

### Economical

- Only heating water when required by the user, the Bosch range is extremely economical to run.

### Internal HydroPower

Limited space need not mean limited hot water. The Bosch range of internal hot water heaters are created specifically to go places where storage units will not, and will provide endless hot water.

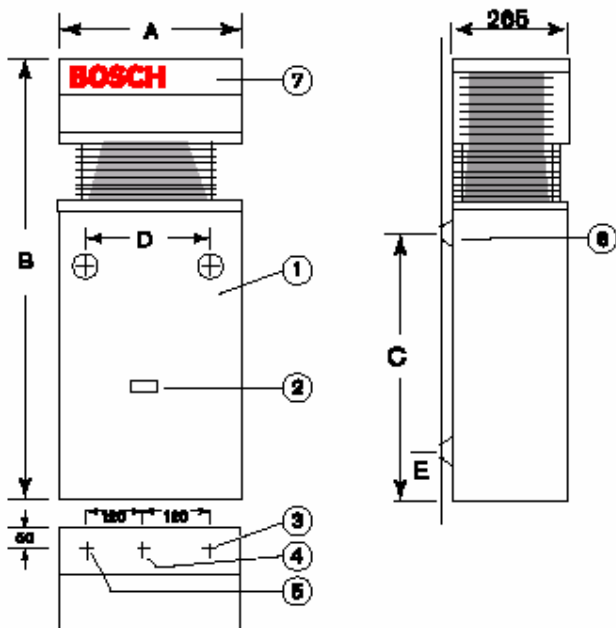
### Versatile

- Operable without a power point
- Compact design
- Flexible connections
- Caters for a wide range of applications and needs

### Economical

- Only heating water when required by the user, the Bosch range is extremely economical to run.

## Product Diagram



1. Main Cover
2. Inspection Window
3. Cold Water Inlet
4. Gas Inlet
5. Hot Water Outlet
6. Mounting Point
7. Horizontal Flue

### Dimensions

A	B	C	D	E
<b>10H</b>				
405mm	845mm	533mm	240mm	68mm
<b>13H</b>				
405mm	845mm	533mm	240mm	68mm
<b>16H</b>				
450mm	936mm	533mm	240mm	82mm

## Product Characteristics

Model	BOSCH 10H	BOSCH 13H	BOSCH 16H
Inlet Gas Pressure NG	1.13 kPa	1.13 kPa	1.13 kPa
Inlet Gas Pressure LPG	2.75 kPa	2.75 kPa	2.75 kPa
Burner Gas Pressure NG	0.89 kPa	0.84 kPa	0.78 kPa
Burner Gas Pressure LPG	2.60 kPa	2.60 kPa	2.60 kPa
NHGC	79 MJ/hr	104 MJ/hr	130 MJ/hr
Maximum Water flow at 50°C rise	5 l/min	6.5 l/min	8 l/min
Maximum Water flow at 25°C rise	10 l/min	13 l/min	16 l/min
Minimum water flow rate	3.5 l/min	3.5 l/min	3.5 l/min

### Note:

Your water heating appliance requires a hot water flow rate of 3.5 litres per minute and above to operate.

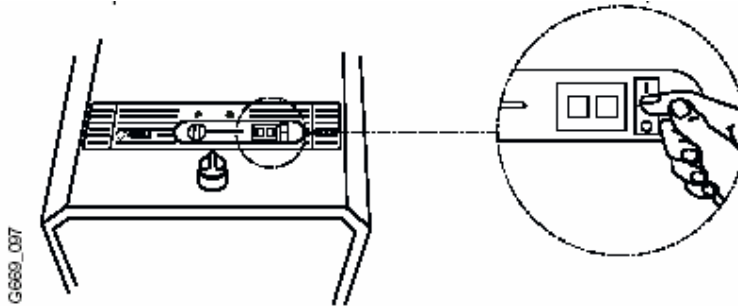
Water fixtures with a flow rate of 7.5 litres per minute or higher and Shower Roses of 9 litres per minute or higher are recommended.

Your water heating appliance is not to be used on Solar, Spa or recirculation systems.

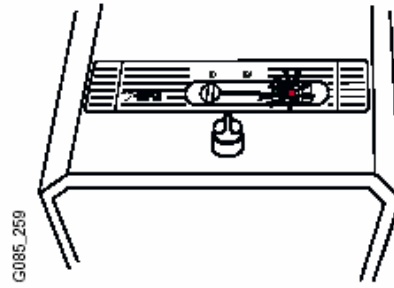
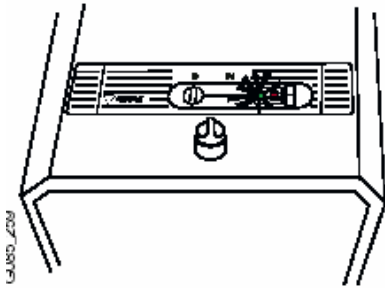
## Operating Instructions

After installation, purge all water and gas pipes before operating.  
Adjust appliance with only one tap operating.

### Starting and shutting off the appliance

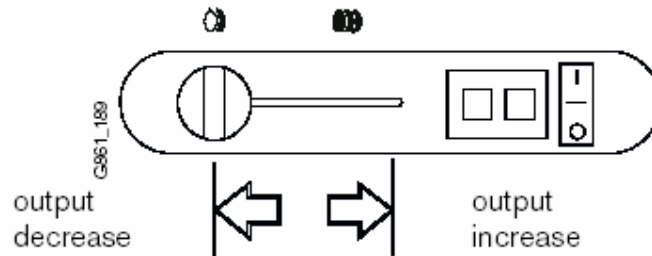


To switch the appliance on, turn the on/off switch to position "1"  
To shut off the appliance, turn the on/off switch to position "0"

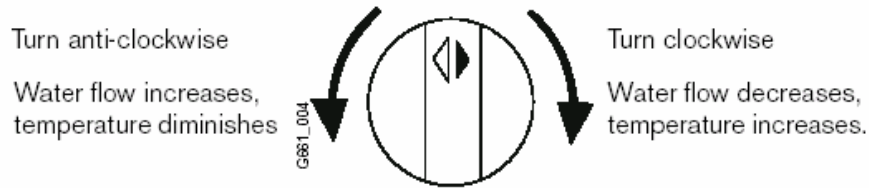


Green light on = Main burner on  
Green light off = Main burner off  
Red light flashing: Fault Indication

### Output control



## Water Flow Adjustment



Turn anti-clockwise Water flow increases, temperature diminishes

Turn clockwise Water flow decreases, temperature increases.

### Warning

If the appliance does not operate, burns with yellow flame, leaks water or a gas smell is evident, turn off and contact the local gas authority, the manufacturer or an authorised service person.

### Freezing Weather

In areas where the atmospheric temperature may drop below 0°C the heater may be drained to prevent damage by expansion of freezing water. For appliances installed in locations where the temperature falls below 0°C and not less than -2°C for brief periods, the installation of an EXOGEL expansion valve, part number H707 060 151, will minimise the possibility of damage to the appliance.

This water heater **MUST NOT** be installed in areas where the temperature remains below 0°C for extended periods.

**CAUTION:** It is recommended that for sanitary fixtures used primarily for the purpose of personal hygiene that a temperature control device be fitted (such as a tempering valve) as per AS.3498

---

## Trouble Shooting

Symptom	Possible Cause	Solution
Appliance does not light	Switch turned off Hydrogenerator Jammed Low Water Flow	Turn switch on Clean hydrogenerator Increase water flow >3.5 litres per minute
Smell of gas	Gas Leak	Locate leak with soap solution
Low burner flame, water does not heat up.	Low inlet gas pressure  Low burner pressure Low water flow Low flame	Check supply regulator and pipe size. Check appliance regulator Check water flow rate Move slide control to high
Low water temperature	Water flow selector in warm position Low Gas pressure Cross connection	Set flow rate to individual need. Check gas pressure Disconnect hot outlet with cold off. Correct connection
Low water flow	Low water pressure Blocked water valve Blocked shower rose or tap aerator	Check and adjust Clean filter Clean

---

## Care and Servicing of the Unit

We recommend that the appliance be inspected and cleaned by an authorised person periodically, depending on the frequency and duration of its operation, but never less than once in a two year period.

## 10 Basic Steps for Installation

1. Check cold water supply pressures, min & max as per table below.

Model	BOSCH 10H	BOSCH 13H	BOSCH 16H
Minimum Inlet Pressure for <b>maximum</b> water flow	60 kPa	100 kPa	130 kPa
Minimum Inlet Pressure for <b>minimum</b> water flow	30 kPa	40 kPa	50 kPa
Maximum Inlet water pressure*	800 kPa	800 kPa	800 kPa

\* If Inlet water pressure exceeds 800 kPa then a pressure reduction valve **MUST** be fitted. Where the pressure reduction valve is less than 3 metres from the hot water unit then it must be fitted in conjunction with a cold water expansion valve. Failure to comply with this requirement may void the warranty. The preferable location for the pressure reduction valve is at the water meter.

2. Connection sizing as per table below.

Hot & Cold Water	1/2" BSP Male
Natural Gas	3/4" BSP Female
L.P. Gas	1/2" BSP Male

3. Determine most suitable location for appliance. Install only on an external wall, as close as possible to the most frequently used hot tap. If the unit is to be installed on a combustible surface use a heat shield (P/N 9708061400.ZG1). Allow a minimum air gap of 10mm between the flue and the heat shield.
4. Secure the water heater to wall using two appropriate fasteners.
5. Locate and connect cold and hot water piping to hot water appliance. Install a gate valve or a full flow ball valve (fixed mechanism type) in cold water line. If the water supply pressure exceeds 800 kPa, install a pressure reduction valve. If installing a reduction valve fit a cold expansion valve between the reduction valve and the appliance. PRV=500 kPa Cold Expansion=700 kPa. Refer to AS3500.1 and AS5601-2004 for the relevant pipe size.

**NOTE:** Service calls for incorrect pipe sizing will **NOT** be covered under warranty.

6. **Test Inlet Gas Pressure while unit is running**, adjust regulator to give values in table below.

Model	BOSCH 10H	BOSCH 13H	BOSCH 16H
Inlet Gas Pressure NG	1.13 kPa	1.13 kPa	1.13 kPa
Inlet Gas Pressure LPG	2.75 kPa	2.75 kPa	2.75 kPa

**Natural Gas:** With the gas supply turned off, remove sealing screw from inlet pressure test point located on the left hand side of the gas section, attach manometer. Turn on gas, open hot water tap fully and adjust gas pressure regulator to 1.13 kPa. Turn off gas and water, remove manometer, replace sealing screw and test for soundness.

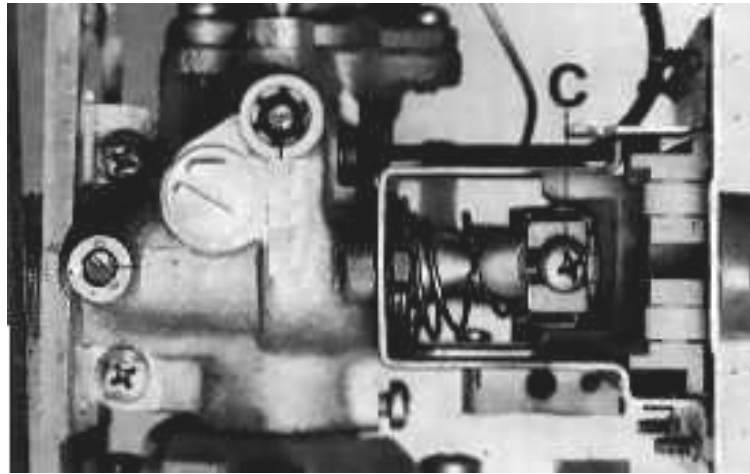


**LP Gas:** No adjustment is provided at the appliance for **inlet pressure**, check cylinder regulator and pipe sizing.  
 For LPG we recommend the installation of two or more supply cylinders and an auto change over pressure regulator

7. Adjust **Burner pressure**. Turn off gas supply, loosen captive screw in burner pressure test point, left hand side of burner manifold. Attach manometer, turn on gas and open hot water tap fully, check pressure.



8. Minimum Gas Pressure Adjustment. Attach manometer to burner test point (see picture above) Set water flow selector fully clockwise (hot position). Move gas slide to left side, single flame symbol, open hot tap fully. Turn adjustment screw (Position C in picture below) located on left hand side of gas valve at a 45° angle to correct pressure. Anti clockwise to decrease minimum burner pressure.



Model	BOSCH 10H	BOSCH 13H	BOSCH 16H
Burner Pressure LPG	0.64 kPa	0.64 kPa	0.64 kPa
Burner Pressure NG	0.30 kPa	0.30 kPa	0.30 kPa

9. Familiarise yourself with appliance operation and advise customer of operation.
10. Supply customer with these operating instructions and any other relevant paperwork

## Regulations

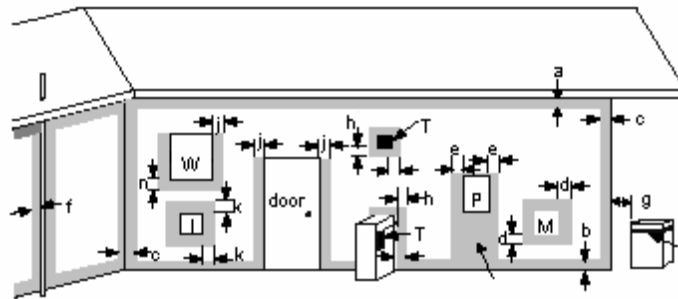
### APPLIANCE LOCATION

- (1) This water heater is approved for outdoor installation only.
- (2) Do not install this water heater with any modification or alteration.
- (3) Do not install this water heater indoors or in an enclosed space .

**WARNING:** FLUE OUTLET MUST BE FREE FROM ANY COMBUSTIBLE MATERIAL.

#### CLEARANCES FOR FLUE TERMINAL (front of heater)

The location of the flue terminal must comply with the clearances shown on this page. If you are unsure about clearances not indicated here, in general refer to AS5601-2004, or your local authority.



**Use as a guide only. Refer to AS5601 or local gas fitting rules for specific locations**

T = Flue Terminal  
 M = Gas Meter  
 Shaded area indicates prohibited area  
 W = Window  
 I = Mechanical air inlet  
 P = Electrical meter or fuse box

Ref	Item	Clearance mm	
		Natural draft	Fan assisted
a	Below eaves, balconies and other projections		
	Appliances up to 50MJ/h input	300	200
	Appliances over 50 MJ/h input	500	300
b	From the ground, above a balcony or other surface	300	300
c	From a return wall or external corner	500	300
d	From a gas meter	1000	1000
e	From an electricity meter or fuse box (P)	500	500
f	From a drain pipe or soil pipe	150	75
g	Horizontally from any building structure or obstruction facing a flue terminal	500	500
h	From any other flue terminal, cowl, or combustion air intake	500	300
j	Horizontally from an opening window, door, non-mechanical air inlet. Or other opening into a building with the exception of sub floor ventilation		
	Appliances up to 150 MJ/h	500	300
	Appliances over 150MJ/h input up to 200 MJ/h input	1500	500
	Appliances over 200 MJ/h input	1500	1500
	All fan assisted flue appliances in the direction of discharge		1500
k	From a mechanical air inlet, including spa blower	1500	1000
n	Vertically below an openable window, non-mechanical air inlet, or any other opening into a building with the exception of sub-floor ventilation:		
	Space heaters up to 50 MJ/h	150	150
	Other appliances up to 50 MJ/h	500	500
	Appliances over 50 MJ/h and up to 150 MJ/h input	1000	1000
	Appliances over 150 MJ/h input	1500	1500

---

## Overview of Warranty Conditions

### What to do before contacting Bosch for Servicing assistance.

Check that the water is available to the unit (ie. No work being done on the mains)

Check that gas is available to the unit (ie. No work being done on the mains, LPG bottle not empty).

### Authorised Service Dealers

Please call 1300 307 037 to find your nearest service dealer.

---

## Warranty

Your Bosch Hot Water unit is warranted as follows:

For appliances used in domestic applications, ie. Normal hot water drawn from household outlets, the warranty period is two (2) years parts and labour. Additionally, the heat exchanger is covered for a period of ten (10) years (parts only).

For appliances used in commercial applications the warranty period is twelve (12) months parts and labour including the heat exchanger.

The warranty period commences from the purchase date. Claims for warranty will only be accepted upon suitable proof of purchase submitted to Robert Bosch (Australia) Pty. Ltd. or an approved Bosch Service Agent authorised to carry out warranty repairs.

### Purchasers Statutory Rights

The warranty terms set out below do not exclude any conditions or warranties which may be mandatory implied by law, and your attention is drawn to the provisions of the Trade Practices Act, 1974, and State legislation which confers certain rights upon consumers. The ROBERT BOSCH (AUSTRALIA) PTY. LTD. Warranty supplements these.

### Extract of Terms of Delivery and Sale

Warranty of products marketed by Robert Bosch (Australia) Pty. Ltd. Herein referred to as RBAU.

- a) RBAU warrants products marketed by it as free from faults and defects and having the specified qualities according to the respective state of technology. Notwithstanding that the products may have been sold by description or sample the products shall be accepted by the Buyer even though alterations in design or construction have been generally introduced between the date of contract and the delivery of the product.
- b) The warranty shall be limited to the replacement or repair at the option of RBAU of any defective products and of such parts of RBAU's products as have been damaged in consequence of the defect despite proper treatment. Parts replaced will not be returned.
- c)
  - i) Repairs and maintenance shall not extend the warranty period of the appliance.
  - ii) If the product is located outside of the service agents area, the consumer shall be responsible for the service agents travelling costs, and if necessary the expenses of freight, packing and charges of a similar nature.

Without limiting the generality of these terms of delivery this warranty shall not apply to products sold in the following cases:--

- i) If the products sold are repaired or altered by any third party without RBAU's consent.
- ii) Where parts are not manufactured or sold by RBAU are used in a replacement or repair.
- iii) If products are not used with proper care and for the purpose for which they are sold and in accordance with any specified instruction for use.

- iv) If changes occur in the condition or operational qualities of the products due to incorrect storage or mounting or due to climatic or other influences.
- v) In respect of faulty construction or defects due to the use of unsuitable materials if such method of construction or use of material has been specified by the Buyer
- vi) In respect of surface coating and glass damage.
- vii) In respect of the replacement of parts when such replacements are part of the normal maintenance, service or normal wear and tear.

No servant or authorised service agent has authority to add to or alter the terms of this warranty.

**Please Note: If a service call is requested and it is found that it is not a manufacturing fault, you may be charged for the call even during the warranty period.**